

# AURORA® 1070 DRY ROTOR SERIES AP12/APB12 CIRCULATORS

Job: \_\_\_\_\_ Representative: \_\_\_\_\_

\_\_\_\_\_ Ordered by: \_\_\_\_\_ Date: \_\_\_\_\_

Engineer: \_\_\_\_\_ Submitted by: \_\_\_\_\_ Date: \_\_\_\_\_

Contractor: \_\_\_\_\_ Approved by: \_\_\_\_\_ Date: \_\_\_\_\_

QUANTITY	TAG NO.	PART NUMBER	FLOW (USgpm)	HEAD (FEET)	VOLTAGE	PHASE	COMMENTS

**TECHNICAL DATA**

**Flow Range:** 0 to 50.0 USgpm (0 to 3.1 L/s)  
**Head Range:** 0 to 56.0 feet (0 to 17.0 m)  
**Max/Min Fluid temp:** 230°F/40°F (110°C/4°C)  
**Max. Working Pressure:** 150 psi (1034 kPa)

**MOTOR DATA**

**Voltage** 120V  
**Full Load Amp Draw** 4.8A  

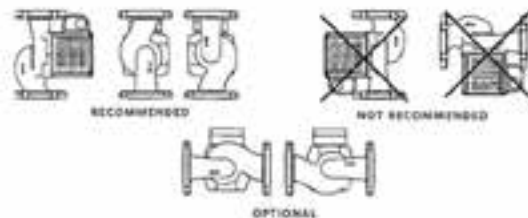

---

**Nominal Power:** 2/5 hp (300w)      **Frequency:** 60 Hz  
**Motor Type:** Two pole, Single phase      **Speed:** 3300 rpm

**MATERIALS OF CONSTRUCTION**

**Pump Body:** Cast iron (closed systems)  
 Bronze (lead free for open systems)

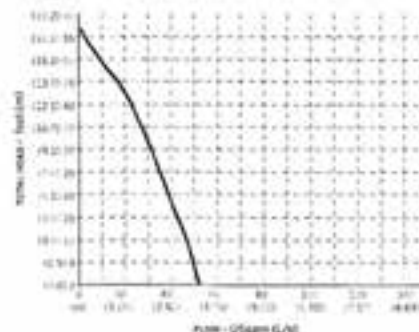
**Face Plate:** Stainless steel      **Shaft:** Stainless steel  
**Impeller:** 30% Glass-filled Noryl®      **Volute Gasket:** EPDM  
**Bearings:** Permanently lubricated stainless steel  
**Seal:** Silicon carbide enviroseal c/w Viton® elastomer

**MOUNTING ORIENTATION For indoor use only**

**PART NUMBER**

	120V	240V
AP12	6365488642	6365489642
APB12	6365488644	6365489644

**APB9/APB9 ACCESSORIES**

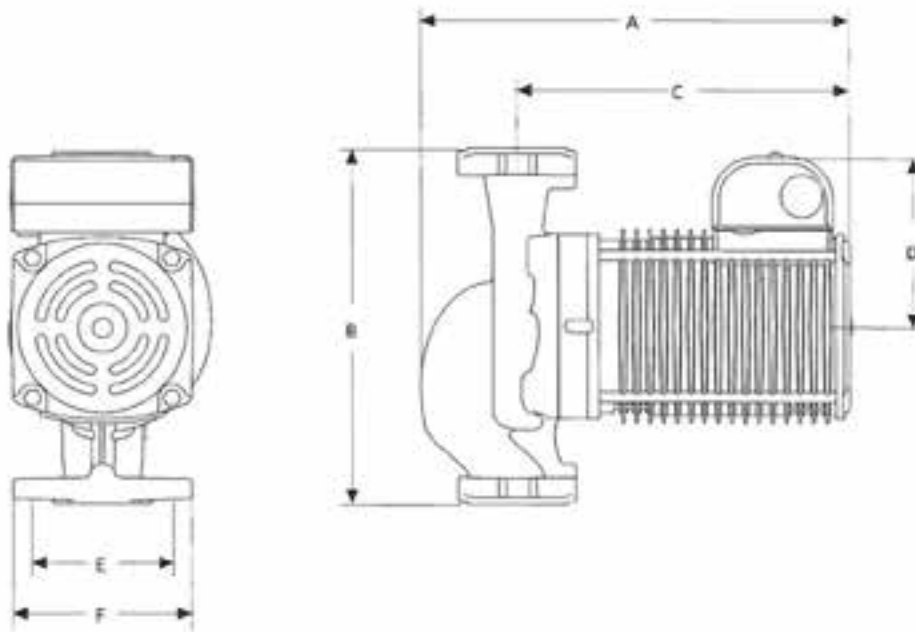
- 3/4" Flange kits
- 1" Flange kits
- 1-1/4" Flange kits
- 1-1/2" Flange kits
- Timer
- Aquastat
- Spool pieces

**PERFORMANCE CURVE**


Performance curves are for reference only.

# AURORA® 1070 DRY ROTOR SERIES AP12/APB12 CIRCULATORS

DIMENSIONS INCHES (mm)									SHIP WEIGHT
MODEL	BODY	A	B	C	D	E	F	CONNECTION TYPE & SIZE	lbs (kgs)
AP12	Cast iron	9.30 (235)	6.40 (164)	7.80 (197)	4.00 (101)	3.20 (81)	4.20 (107)	1.25" diameter 2-bolt flanges	17.85 (8.15)
APB12	Bronze	9.30 (235)	6.40 (164)	7.80 (197)	4.00 (101)	3.20 (81)	4.20 (107)	1.25" diameter 2-bolt flanges	18.65 (8.45)



800 AIRPORT ROAD, NORTH AURORA, ILLINOIS 60542 [www.AuroraPump.com](http://www.AuroraPump.com)

Because we are continuously improving our products and services, Pentair reserves the right to change specifications without prior notice.  
© 2014 Pentair Ltd. All Rights Reserved

AP12\_APB12 [02/20/14]