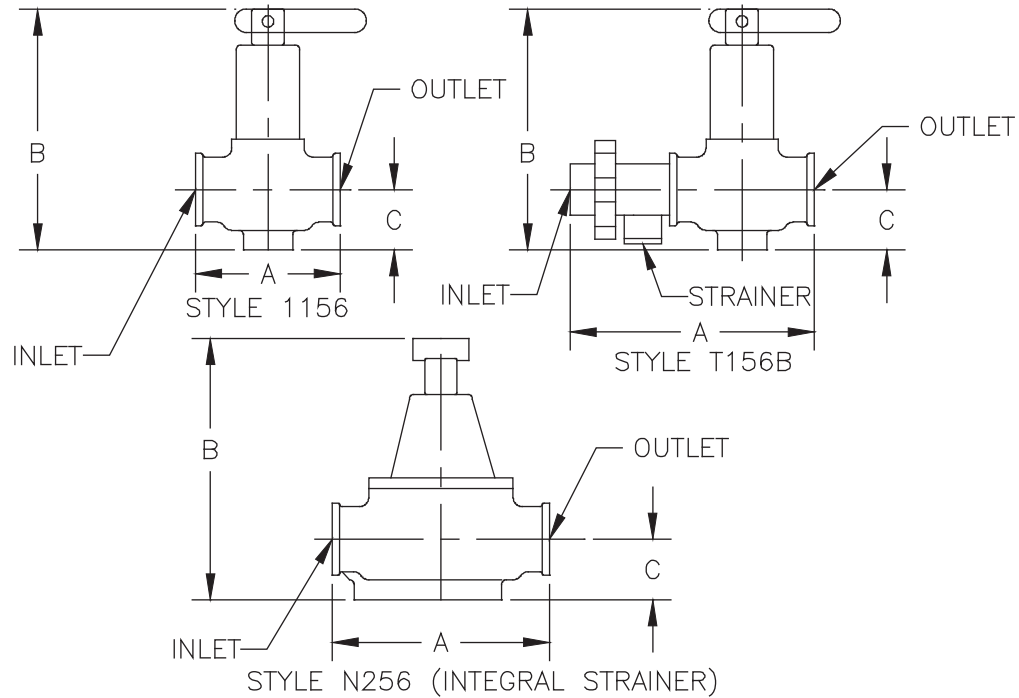


# AURORA ACCESSORIES

## WATTS PRESSURE REGULATOR



MODEL	INLET	OUTLET	A	B	C	CONSTRUCTION
1156F	1/2" NPT	1/2" NPT	3.50 (89)	5.28 (134)	1.63 (41)	Iron Body
1156F-A	1/2" NPT (Btm. Inlet)	1/2" NPT	3.50 (89)	5.75 (146)	1.63 (41)	Iron Body
T1156F	1/2" Union	1/2" NPT	4.25 (108)	5.38 (137)	1.63 (41)	Iron Body
S1156F	1/2" Solder	1/2" NPT	4.13 (105)	5.38 (137)	1.63 (41)	Iron Body
B1156F	1/2" NPT	1/2" NPT	3.50 (89)	5.38 *137	1.63 (41)	Bronze Body
SB1156F	1/2" Solder	1/2" NPT	4.38 (111)	5.38 (137)	1.63 (41)	Bronze Body
TB1156F	1/2" Union	1/2" NPT	4.13 (105)	5.38 (137)	1.63 (41)	Bronze Body

### WITH STRAINER

MODEL	INLET	OUTLET	A	B	C	CONSTRUCTION
T156B	1/2" Union	1/2" NPT	5.31 (135)	6.18 (157)	1.63 (41)	Bronze Body
N256	3/4" NPT	3/4" NPT	6.38 (162)	4.00 (102)	1.38 (35)	Bronze Body

#### NOTES:

1. All dimensions in inches (mm).
2. Dimensions may vary  $\pm 1/8$  (3).
3. Maximum working pressure is 100 psi (690 kPa).
4. Maximum working temperature 212°F (100°C).
5. Regulator is set at 15 psi (103 kPa).
6. Adjustment range 10-25 psi (69-172 kPa).
7. For additional information visit [www.wattsreg.com](http://www.wattsreg.com).