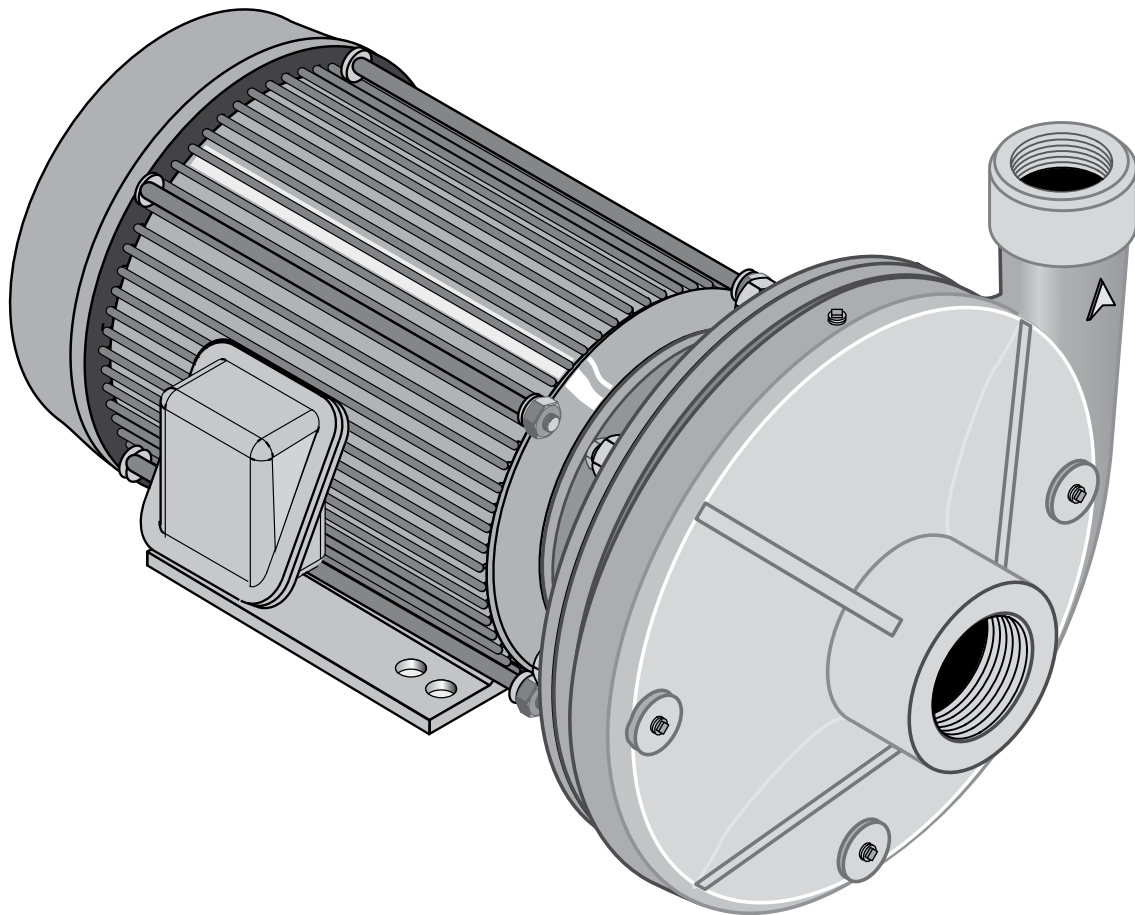




OWNER'S MANUAL
**Close Coupled Motor
Driven Centrifugal Pump**

BERKELEY®



	Page
SAFETY	3
INSTALLATION	
General Information.....	4-5
Pump Foundation	5
Centrifugal Pump Suction Connection.....	6-9
Swimming Pool Pump Suction Connection	10-11
Discharge Connection	12-13
Electrical Connection.....	14
START-UP	
General Information.....	15
Determine Pump Rotation	16
Pump Priming.....	17
MAINTENANCE	
Mechanical Shaft Seal.....	18-20
PUMP NOMENCLATURE	
General Information.....	21
Parts Breakdown	22
TROUBLESHOOTING	23
WARRANTY	24

READ AND FOLLOW SAFETY INSTRUCTIONS!

⚠ This is the safety alert symbol. When you see this symbol on your pump or in this manual, look for one of the following signal words and be alert to the potential for personal injury:

⚠ DANGER warns about hazards that **will** cause serious personal injury, death or major property damage if ignored.

⚠ WARNING warns about hazards that **will** or **can** cause serious personal injury, death or major property damage if ignored.

⚠ CAUTION warns about hazards that **will** or **can** cause minor personal injury or property damage if ignored.

The label **NOTICE** indicates special instructions which are important but not related to hazards.

California Proposition 65 Warning

⚠ WARNING This product and related accessories contain chemicals known to the State of California to cause cancer, birth defects or other reproductive harm.

Carefully read and follow all safety instructions in this manual and on pump.

Keep safety labels in good condition.

Replace missing or damaged safety labels.

Electrical Safety

⚠ WARNING



Hazardous voltage. Can shock, burn, or cause death.

Ground pump before connecting to power supply.

⚠ Wire motor for correct voltage. See “Electrical” section of this manual and motor nameplate.

⚠ Ground motor before connecting to power supply.

⚠ Meet National Electrical Code and local codes for all wiring.

⚠ Follow wiring instructions in this manual when connecting motor to power lines.

General Safety

Do not allow pump, piping, or any other system component containing water to freeze. Freezing may damage system, leading to injury or flooding. Allowing pump or system components to freeze will void warranty.

Pump approved liquids only with this pump.

Periodically inspect pump and system components.

Wear safety glasses at all times when working on pumps.

Keep work area clean, uncluttered and properly lighted; store properly all unused tools and equipment.

Keep visitors at a safe distance from the work areas.

Make workshops childproof; use padlocks and master switches; remove starter keys.

Swimming Pool and Spa Installation Safety

⚠ WARNING **Hazardous pressure** **Incorrectly installed or tested equipment may fail, causing severe injury or property damage.**
Read and follow instructions in owner’s manual when installing and operating equipment. Have a trained pool professional perform all pressure tests.

1. Do not connect system to a high pressure or city water system.
2. Install pump with at least 2 hydraulically balanced main drains equipped with correctly installed, screw-fastened, anti-entrapment certified covers, at least 3 feet apart, nearest point to nearest point. See Page 11.
3. Trapped air in system can cause explosion. **BE SURE** all air is out of system before operating or testing equipment.

Before pressure testing, make the following safety checks:

- Check all clamps, bolts, lids, and system accessories before testing.
- Release all air in system before testing.
- Tighten Berkeley trap lids to 30 ft. lbs. (4.1 kg-cm) torque for testing.
- Water pressure for test must be less than 25 PSI (172 kPa).
- Water Temperature for test must be less than 100° F. (38° C).
- Limit test to 24 hours. After test, visually check system to be sure it is ready for operation. Remove trap lid and retighten hand tight only.

NOTICE: These parameters apply to Berkeley equipment only. For non-Berkeley equipment, consult manufacturer.

⚠ WARNING Heavy weight crushing hazard. NEVER walk or reach under a suspended pump.

DO NOT screw an eye bolt into the motor housing and attempt to lift assembly! The lifting point built into the motor case is not designed to support the combined weight of the motor and pump.

The crane or hoist must have a capacity in excess of the combined weight of the motor and pump. Use a minimum of two chains or straps to lift motor/pump assembly. Each chain or strap must have a capacity in excess of the combined weight of the motor and pump.

MOTOR / PUMP LIFTING PROCEDURE:

Wrap the first chain or strap under the fan end of the motor up tight against the motor feet, and the second chain or strap under the pump bracket between the pump end and the motor.

Raise motor/pump assembly slowly to ensure that the chains or straps will not slip when put under tension. Balance motor and pump with chains or straps to maintain proper weight distribution. If not balanced, release tension on the chains or straps and readjust.



General Information

LOCATION:

Locate the pump as near the water source as practical. Make the pipe run as short and straight as possible, especially if a suction lift is required.

Careful attention should be taken to assure that net positive suction head available (NPSHA) exceeds net positive suction head required (NPSHR) by the pump or reduced performance and severe pump damage may result. If in doubt, check with your nearest Berkeley professional dealer. Install pump in a clean, dry and drained location readily accessible for inspection and maintenance. Provide ample ventilation.

FOUNDATION: Refer to illustrations at right.

▲WARNING Heavy weights. Use care and proper equipment when handling pump for installation. Pump should be set on a concrete foundation which is sufficiently substantial to absorb vibration and which provides a permanent and rigid support.

PIPING:

System piping should be at least one commercial pipe size larger than pump connections and flow velocity should not exceed eight (8) feet per second. In pool installation, flow velocity should not exceed six (6) feet per second.

NOTICE: Take care to align piping with pump case. Misalignment or excessive pipe strain can cause distortion of pump components resulting in rubbing, breakage and reduced pump life.

Support pipe in such a way that no force is exerted on pump connections. Check alignment as follows: with the pump shut down and isolation valves closed, remove pipe flange bolts. If the mating flanges come apart or shift, misalignment is present and causing pressure on the connections. Adjust pipe supports until flanges mate without any force. This procedure can be done throughout piping system.

SUCTION PIPING:

Refer to Pages 10 and 11 for installation instructions for swimming pool circulating pump applications. Refer to Pages 6 through 9 for recommended and not recommended practices in suction connections in centrifugal installations.

DISCHARGE PIPING:

Refer to illustrations on Page 12 and 13 for recommended and not recommended practices in discharge connections.

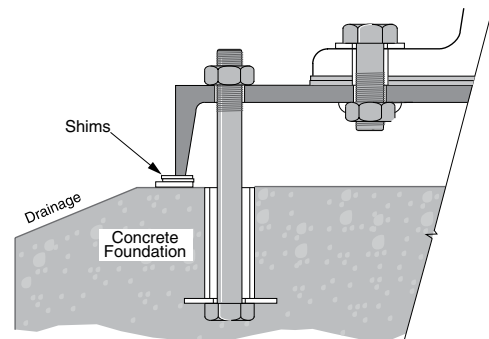
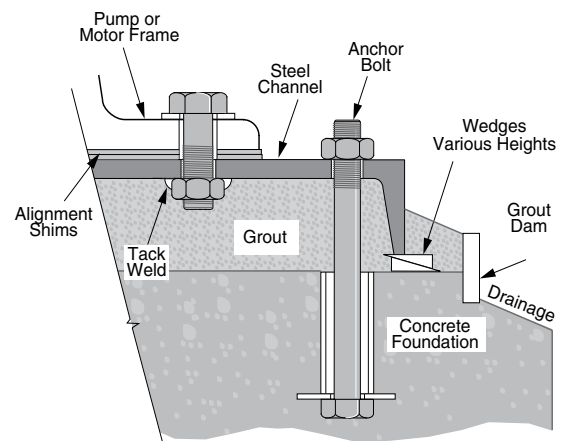
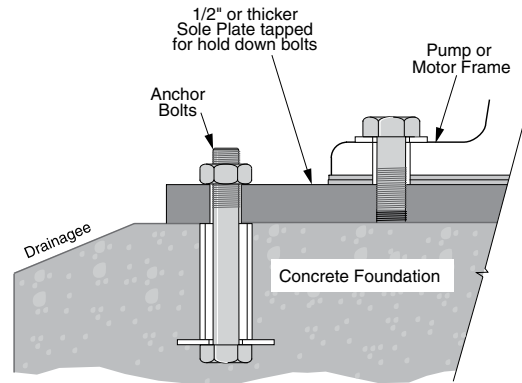
ELECTRICAL CONNECTION:

▲WARNING Hazardous voltage. Can shock, burn, or cause death. All wiring should be done by a qualified electrician. Disconnect power to pump before servicing.

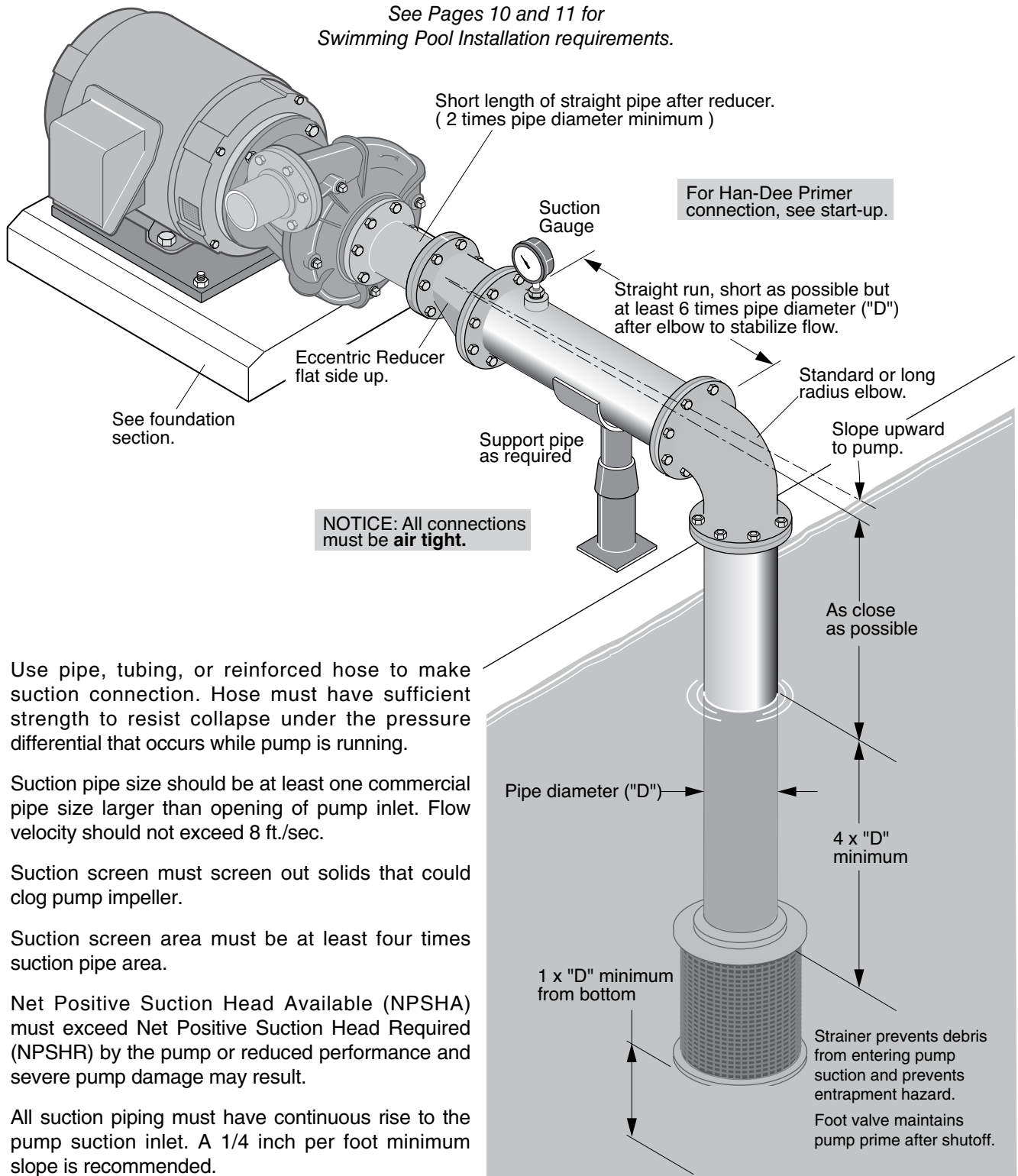
Check voltage and phase stamped on pump motor nameplate before wiring. Be sure they agree with your electric current supply. They **MUST** be the same. If in doubt, check with your local power company.

Refer to illustration on Page 14 for minimum recommended pumping panel components that help safeguard your pump during operation.

Pump Foundation



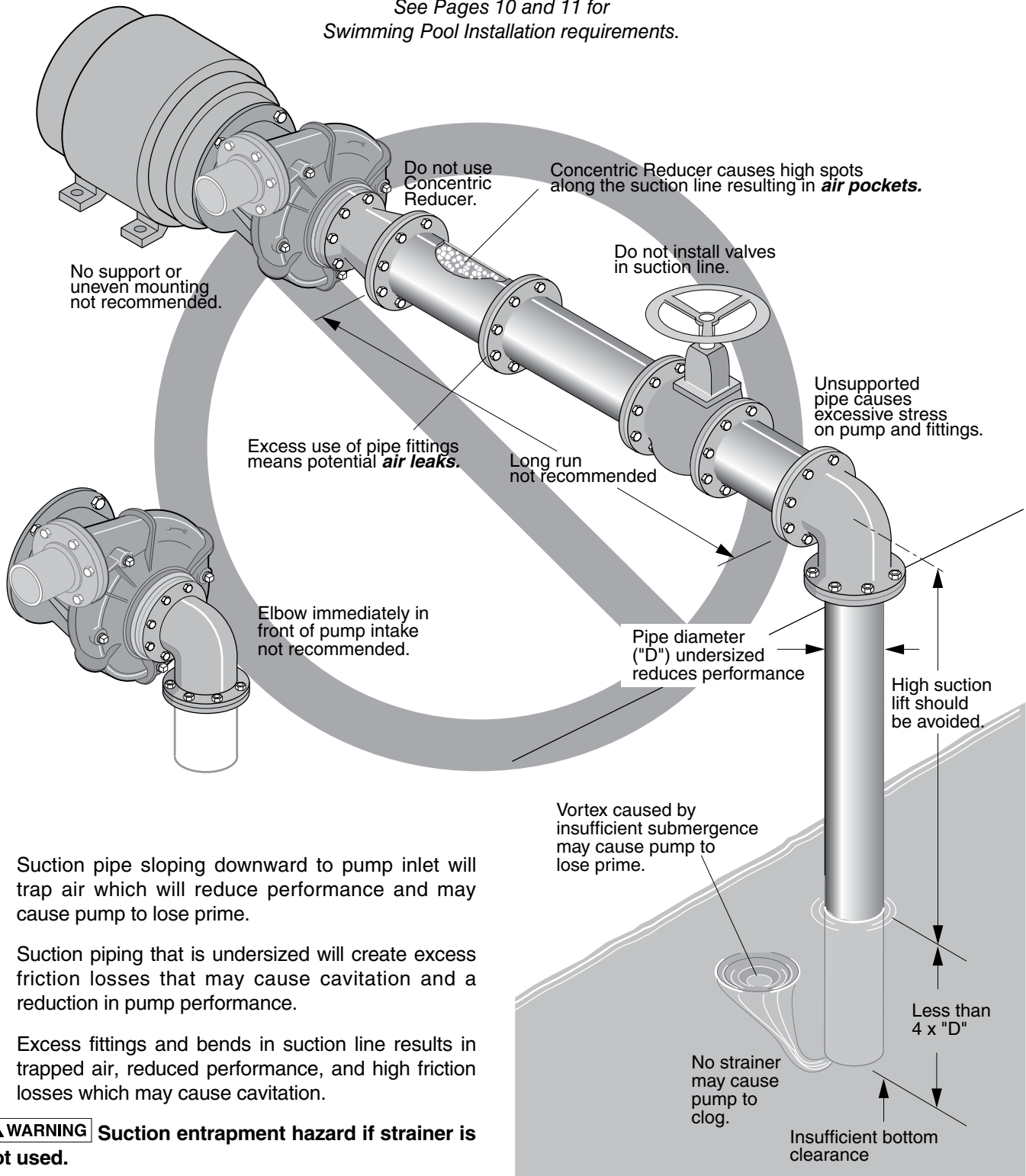
- There are several types of permanent pump/ foundation installations in use. Those pictured above are typical.
- If grout is used, top of concrete should be left rough to provide a good bonding surface.
- Foundation should slope away from pump to prevent liquid from pooling.



- Use pipe, tubing, or reinforced hose to make suction connection. Hose must have sufficient strength to resist collapse under the pressure differential that occurs while pump is running.
- Suction pipe size should be at least one commercial pipe size larger than opening of pump inlet. Flow velocity should not exceed 8 ft./sec.
- Suction screen must screen out solids that could clog pump impeller.
- Suction screen area must be at least four times suction pipe area.
- Net Positive Suction Head Available (NPSHA) must exceed Net Positive Suction Head Required (NPSHR) by the pump or reduced performance and severe pump damage may result.
- All suction piping must have continuous rise to the pump suction inlet. A 1/4 inch per foot minimum slope is recommended.

Recommended

See Pages 10 and 11 for
Swimming Pool Installation requirements.



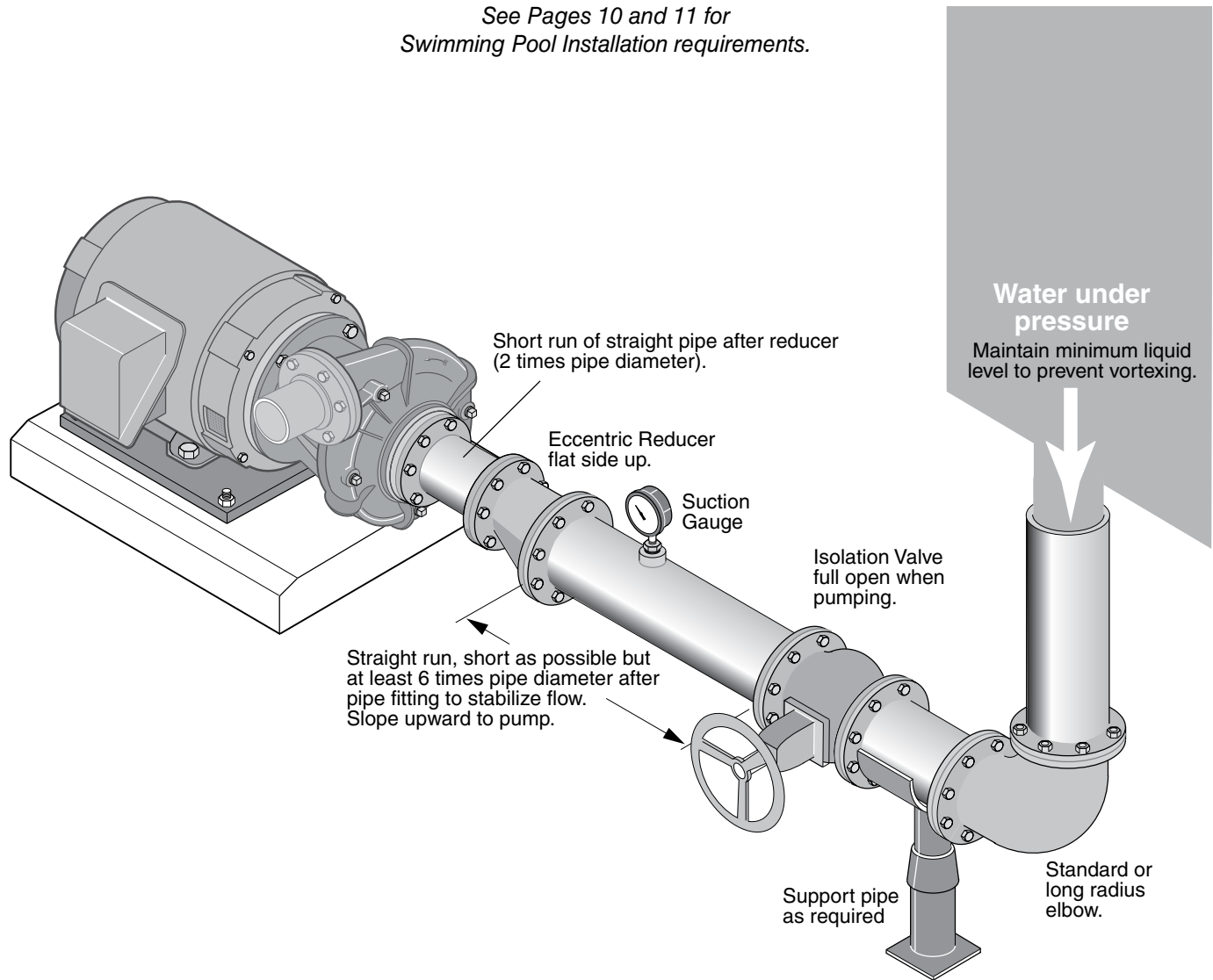
- Suction pipe sloping downward to pump inlet will trap air which will reduce performance and may cause pump to lose prime.
- Suction piping that is undersized will create excess friction losses that may cause cavitation and a reduction in pump performance.
- Excess fittings and bends in suction line results in trapped air, reduced performance, and high friction losses which may cause cavitation.

⚠ WARNING Suction entrapment hazard if strainer is not used.

⊘ Not Recommended ⊘

When Flooded Suction Exits

See Pages 10 and 11 for
Swimming Pool Installation requirements.

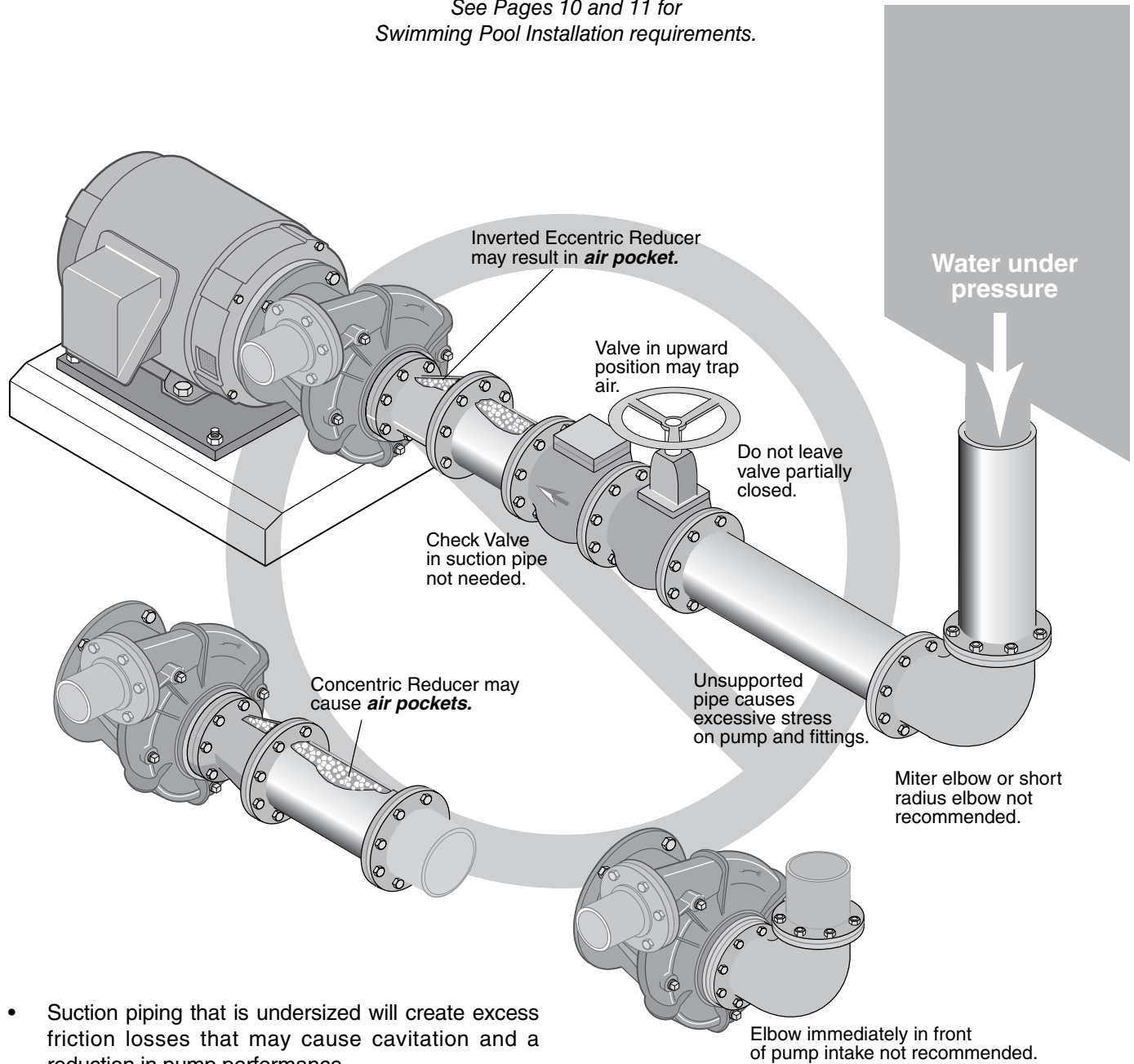


- Use pipe, tubing, or reinforced hose to make suction connection. Hose must have sufficient strength to resist collapse under the atmospheric pressure differential that may occur while pump is running.
- It is important, even with a flooded suction condition, that proper pipe fittings are used so water is delivered to impeller eye with a smooth flow and consistent velocity.
- Suction pipe size should be at least one commercial pipe size larger than opening of pipe inlet. Flow velocity should not exceed 8 ft./sec.
- An isolation valve is used in a pressurized suction pipe to permit servicing pump.
- Piping run and connection fittings should be properly aligned and independently supported to reduce strain on pump case.
- If solids are present, a strainer should be used to protect the pump.

Recommended

When Flooded Suction Exits

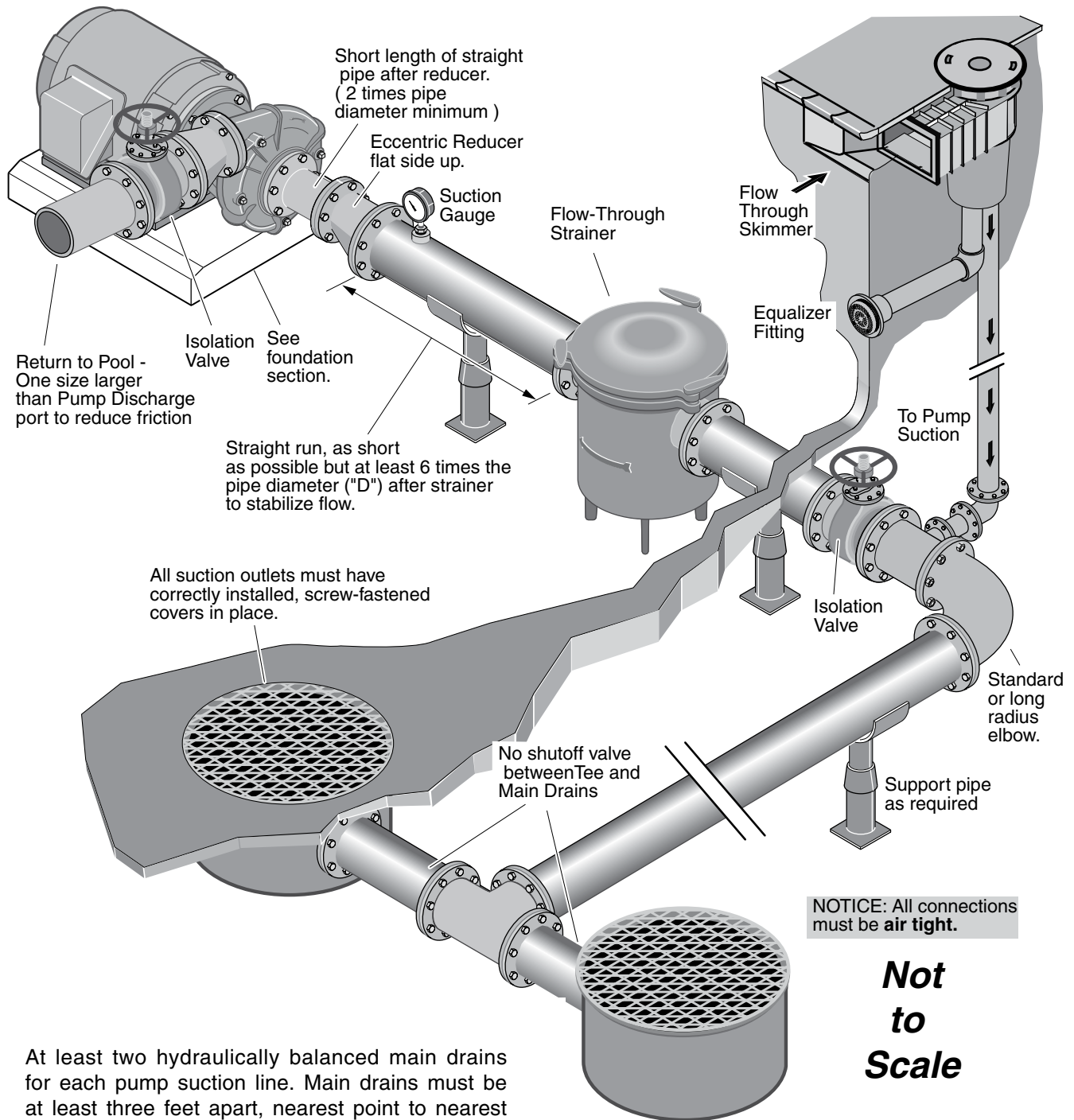
See Pages 10 and 11 for
Swimming Pool Installation requirements.



- Suction piping that is undersized will create excess friction losses that may cause cavitation and a reduction in pump performance.
- Excess fittings and bends in suction line results in trapped air, reduced performance, and high friction losses which may cause cavitation.
- If check valve is required for back flow prevention, locate on the discharge side of pump.

⊘ Not Recommended ⊘

Typical Swimming Pool



- At least two hydraulically balanced main drains for each pump suction line. Main drains must be at least three feet apart, nearest point to nearest point.
- The pump suction system *must* provide protection against the hazard of suction entrapment or hair entrapment/entanglement. All suction outlet covers must be maintained. They must be replaced if cracked, broken, or missing.
- If 100% of the pump's flow comes from the main drain system, the maximum water velocity in the pump suction hydraulic system must be six feet per second or less even if one main drain (suction fitting) is completely blocked.
- The system must not be able to operate with the pump drawing water from only *one* main drain (that is, there must be at least two main drains connected to the pump whenever it is running.) However, if two main drains run into a single suction line, the single suction line may be equipped with a valve which will shut off *both* main drains from the pump.

Suction Requirements

⚠ WARNING Pump suction is hazardous and can trap and drown or disembowel bathers. Do not use or operate swimming pools, spas, or hot tubs if a suction outlet cover is missing, broken, or loose. Follow the guidelines below for a pump installation which minimizes risk to users of pools, spas, and hot tubs.

Entrapment Protection

The pump suction system *must* provide protection against the hazard of suction entrapment or hair entrapment/entanglement.

Suction Outlet Covers

All suction outlet covers must be maintained. They must be replaced if cracked, broken, or missing.

All suction outlets must have correctly installed, screw-fastened covers in place.

Testing and Certification

Suction outlet covers must have been tested by a nationally recognized testing laboratory and found to comply with the latest ASME/ANSI Specification for Suction Fittings For Use in Swimming Pools, Spas, Hot Tubs, and Whirlpool Bathtub Applications.

An NSF certified hair and lint strainer must be installed with the pump in order to comply with NSF Standard 50.

Outlets Per Pump

Provide at least two hydraulically balanced main drains, with covers (see Page 10), for each swimming pool pump suction line. The main drains (suction fittings) must be at least three feet apart, nearest point to nearest point.

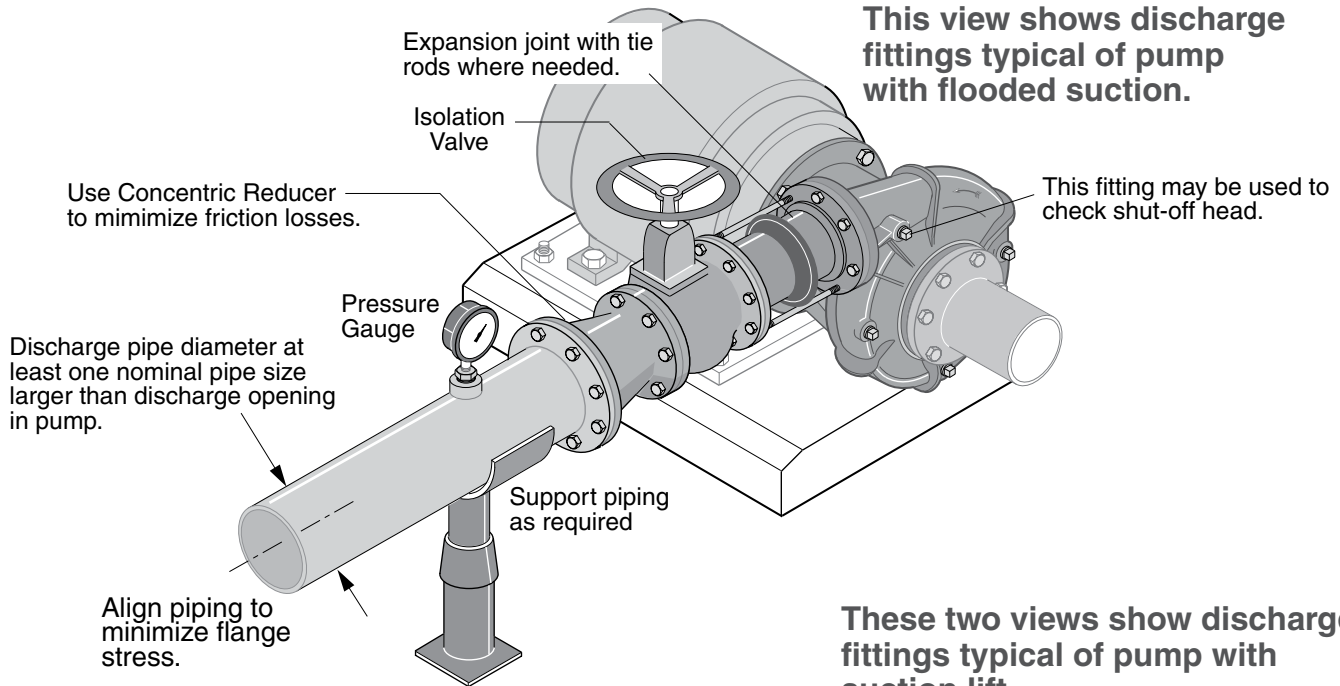
The system must be built so that it cannot operate with the pump drawing water from only one main drain (that is, there must be at least two main drains connected to the pump whenever it is running). However, if two main drains run into a single suction line, the single suction line may be equipped with a valve which will shutoff both main drains from the pump.

More than one pump can be connected to a single suction line as long as the requirements above are met.

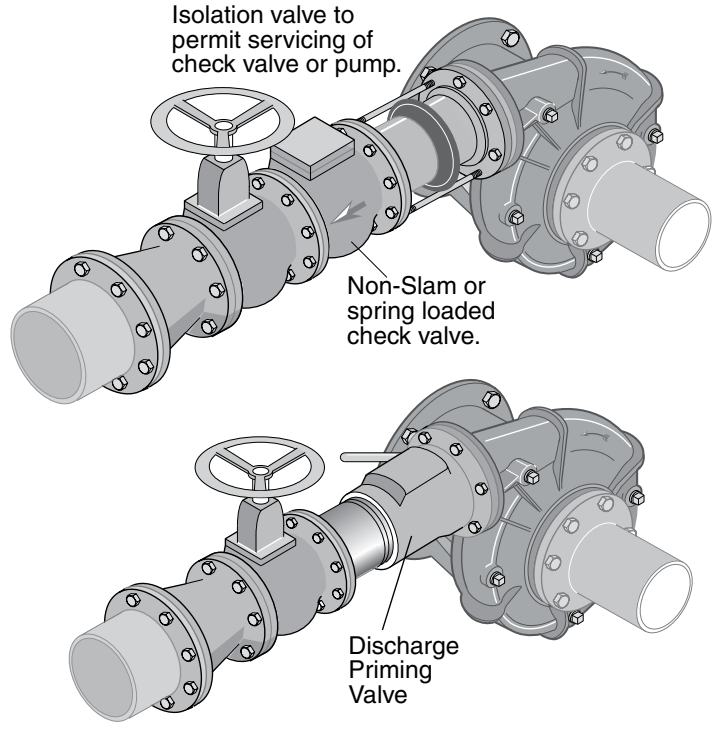
Water Velocity

The maximum water velocity through any suction outlet must be 1.5 feet per second. In any case, do not exceed the suction fitting's maximum designed flow rate.

If 100% of the pump's flow comes from the main drain system, the maximum water velocity in the pump suction hydraulic system must be six feet per second or less even if one main drain (suction fitting) is completely blocked.

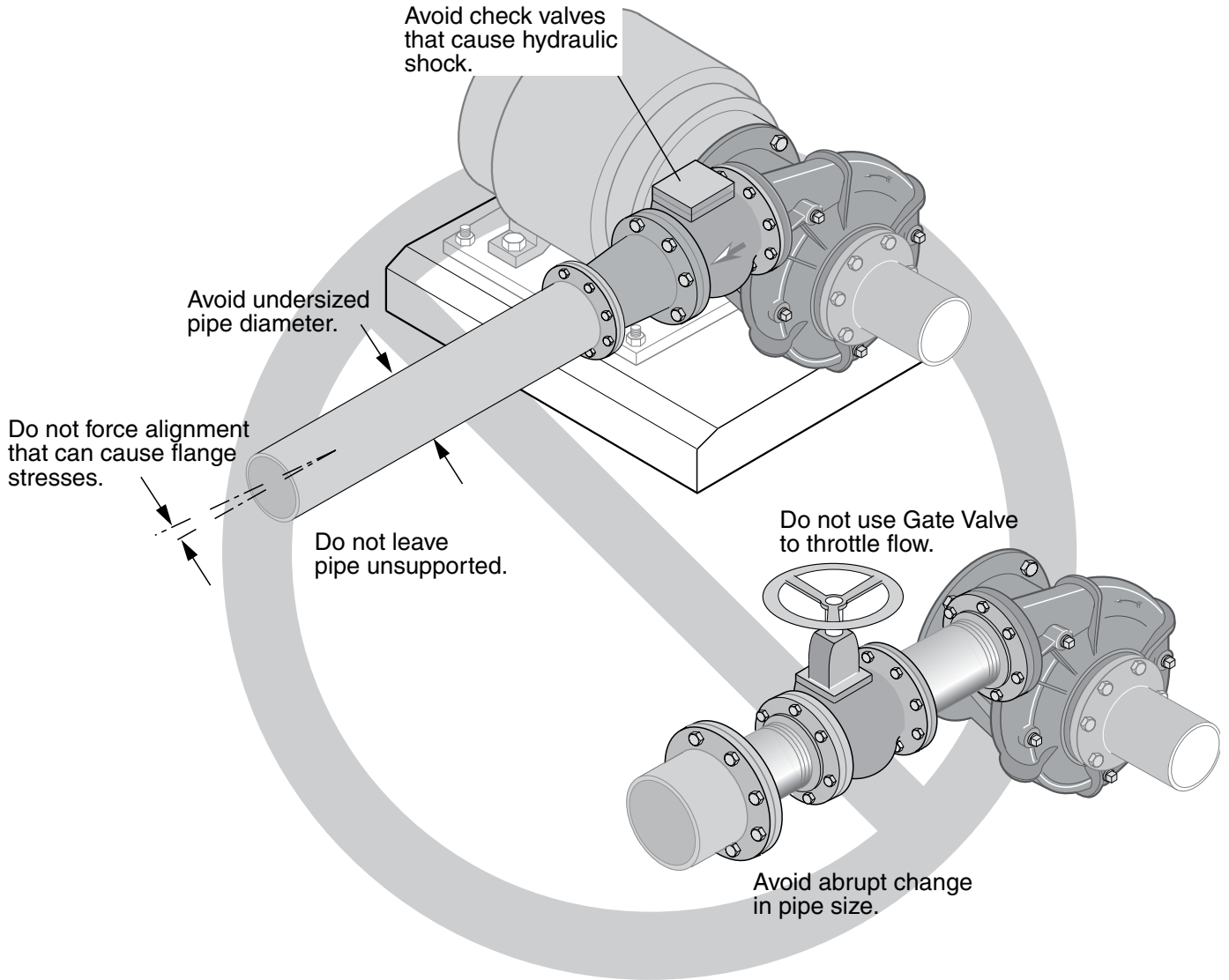


These two views show discharge fittings typical of pump with suction lift.



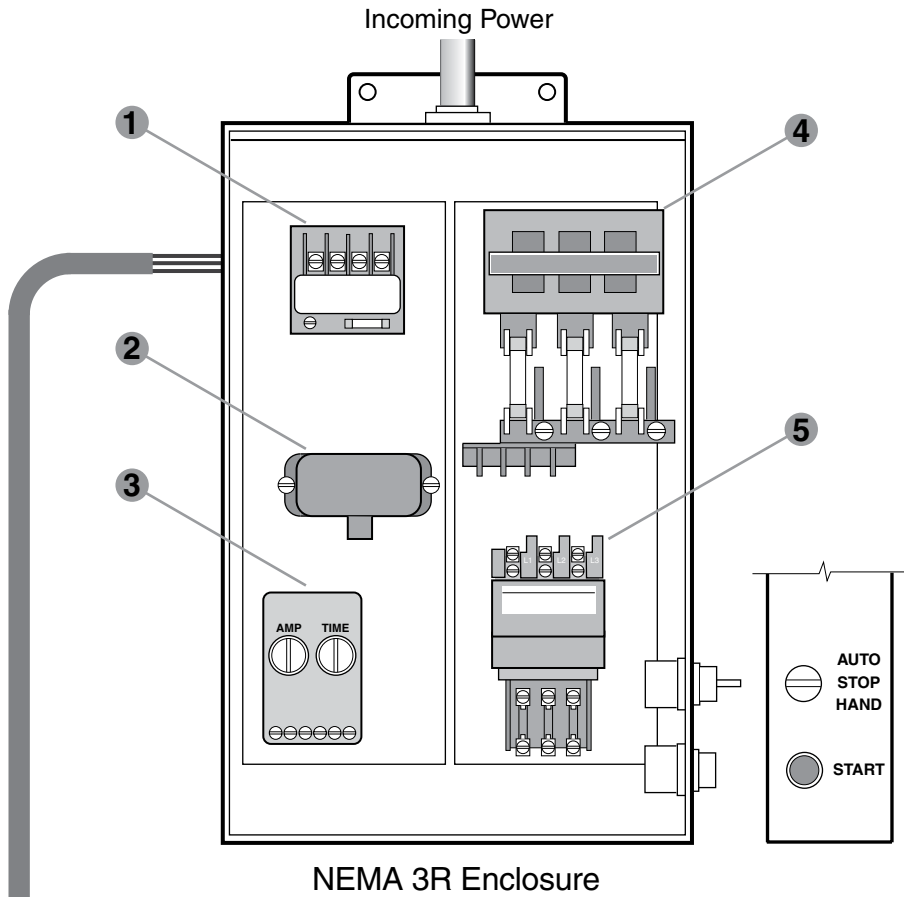
- Use pipe, tubing or reinforced hose to make discharge connection. Material selected must have sufficient strength for operating pressures.
- Discharge pipe should be sized so that flow velocity is below 8 feet per second.
- Use **ONLY** non-slamming check valves to prevent hydraulic shock (water hammer).
- Use gate, ball, or butterfly valve for isolation. Valve should be full open during operation.
- Maintain proper pipe size throughout discharge system, using as few elbows and tees as possible to keep friction loss to a minimum.
- Install pressure gauge after reducer as shown to check operating pressure or shut-off head.

Recommended



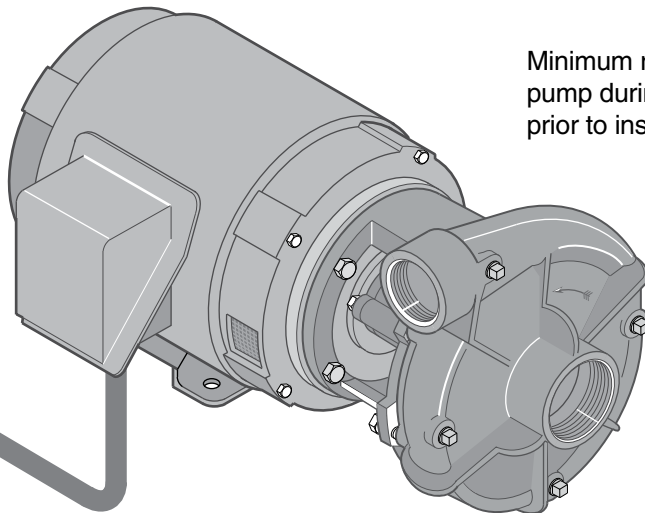
- Avoid excess friction loss caused by numerous fittings, insufficient pipe diameter, and sharp turns in pipe run.
- Swing type check valves can permit build-up of reverse velocity before closing causing hydraulic shock or “water hammer.”

 **Not Recommended** 



NEMA 3R Enclosure

Minimum recommended components to protect your pump during operation. Check all local electrical codes prior to installation.



- 1. **Contactor**
- 2. **Lightning Arrestor**
- 3. **Loss of Prime Protection**
- 4. **Fuseable Disconnect**
- 5. **Starter**

CHECK ROTATION:

Before pump is put into operation, rotational direction must be checked to assure proper performance of pump. Refer to illustration on Page 16.

⚠ WARNING **Hazardous voltage. Can shock, burn, or cause death.** Disconnect power to pump before servicing.

Do not attempt any wiring changes without first disconnecting power to pump.

PRIMING:

Pump priming is the displacement of air with water in the pump and suction piping. Pump **MUST BE** completely filled with water when operating.

Refer to Page 17 for instruction on the following conditions:

1. Suction lift with priming pump (water source below pump).
2. Suction lift with foot valve (water source below pump).
3. Flooded suction (water source above pump, or incoming water pressure is greater than atmospheric pressure).

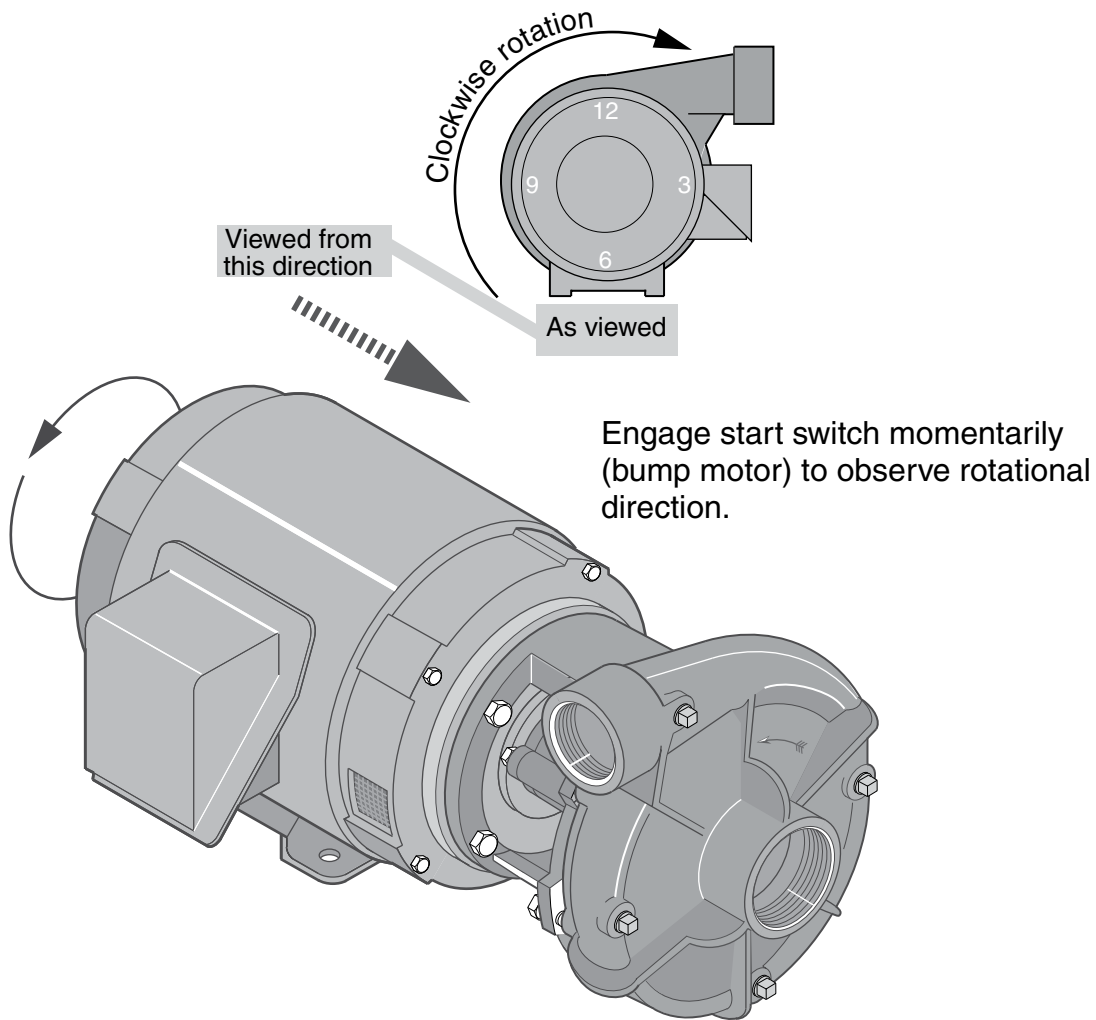
STARTING:

⚠ WARNING **Never run pump dry.** Running pump without water will overheat pump and damage internal parts. Always make sure pump is primed prior to start-up.

Prime pump by one of the above procedures. Turn on power to pump. Slowly open discharge valve until desired flow rate is achieved. Place the “Hand-Off-Auto” selector switch in the “Auto” position. The pump will be started automatically when the pilot device signals the motor starter.

STOPPING:

Pump will stop automatically when the pilot device de-energizes the motor starter. Turn the “Hand-Off-Auto” selector switch to “Off” position if you want to stop the pump while it is running.



Direction of Pump Rotation is determined by viewing liquid end of pump from the **back** or **shaft side**, and **not** from looking into the impeller eye or front of volute case. A rotation direction arrow is cast into the pump body and shows correct rotation.

NOTICE: This pump rotates clockwise.

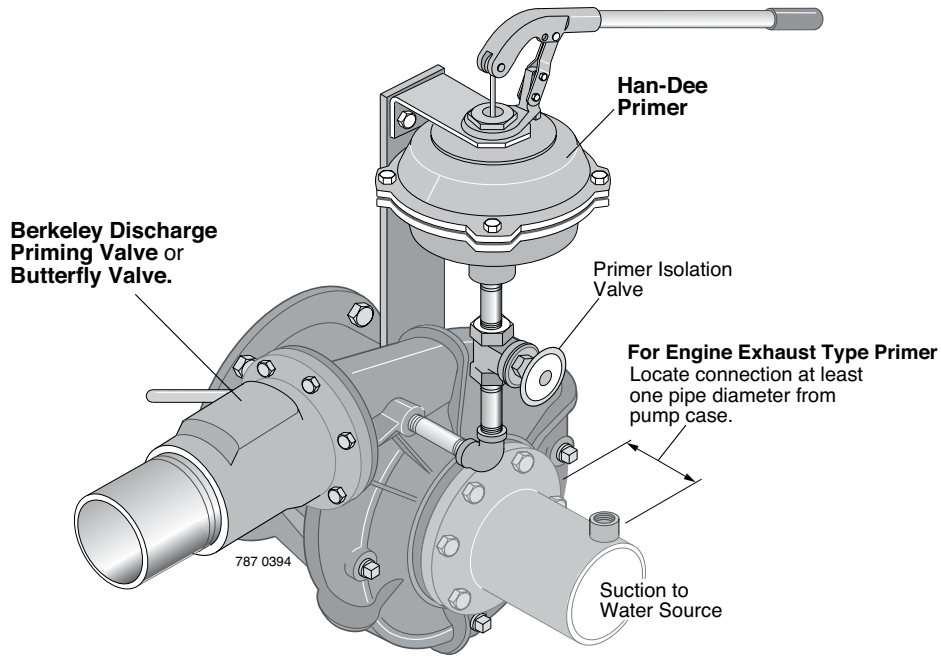
Electric Motors:

Single Phase: Refer to wiring information on the motor plate to obtain proper rotation.

Three Phase: If pump runs backwards, reverse any two leads coming off incoming power (L1, L2, L3) until proper rotation is obtained. Reverse L1 and L2, or L2 and L3, or L1 and L3.

- Pump running backward - Centrifugal pumps will still pump liquids, however, GPM and head (discharge pressure) will be a fraction of the published performance.

Removal



Installations With Flooded Suction.

- Open air vent (or pipe plug) in the highest tapped opening in pump case.
- Open inlet isolation valve, allowing water to fill the pump completely and force all air out through vent.
- Rotate shaft slowly allowing any air trapped in impeller to escape.
- Close vent opening when water without air emerges.

Installations With Suction Lift and Foot Valve.

- Close air tight valve on discharge.
- Remove pipe plug from highest opening on pump case.
- Completely fill pump and suction piping with water.
- Rotate shaft slowly allowing any air trapped in impeller to escape.
- When all air has been forced out of pump, replace pipe plug. Use pipe joint compound on plug threads and tighten as necessary to prevent leakage.

Installations With Suction Lift and Priming Pump.

- Close air tight valve.
- Hand primer operation:
 1. Open hand primer isolation valve.
 2. Work handle of hand primer up and down to evacuate air from the suction line. (Refer to primer owner's manual for proper procedure).
 3. When water flows freely from primer, close hand primer isolation valve. (Pump case should now be filled with water).
- Immediately start pump.
- Slowly open butterfly valve (if used) until desired flow is achieved. (Discharge Priming Valve will open automatically).

LUBRICATION:

LIQUID END of pump requires **no** lubrication. Mechanical shaft seal is lubricated by the liquid being pumped. Do not run dry!

MOTOR bearings are lubricated at the factory. Re-lubrication at intervals consistent with the amount of use will provide maximum bearing life. Refer to motor Instruction Manual for proper motor lubrication and maintenance instructions.

PERFORMANCE CHECK:

Periodically check the output of the pump. If performance is noticeably reduced, refer to Troubleshooting Chart.

OBSERVATIONAL MAINTENANCE:

When the pump and system operation have been stabilized, verify that pump unit is operating properly. Observe the following:

VIBRATION: All rotating machines can be expected to produce some vibration, however, excessive vibration can reduce the life of the unit. If the vibration seems excessive, discontinue operation, determine cause of the excessive vibration, and correct.

NOISE: When the unit is operating under load, listen closely for unusual sounds that might indicate that the unit is in distress. Determine the cause and correct.

OPERATING TEMPERATURE: During operation, heat is dissipated from the pump and the driver. After a short period of time, the surface of the pump bracket will be quite warm (as high as 150°F), which is normal. If the surface temperature of the pump bracket or driver is excessive, discontinue operation, determine cause of the excessive temperature rise, and correct. Worn bearings will cause excessive temperatures and need to be replaced. The pump unit is cooled by the water flowing through it, and will normally be at the temperature of the water being pumped.

MECHANICAL SEAL:

Adjustment or maintenance is normally not required. The seal is enclosed within the pump and is self adjusting. Seal is cooled and lubricated by the liquid being pumped. Refer to Pages 20 and 21 for removal and replacement. Do not run dry!

PUMP PROTECTION- COLD WEATHER/ WET WEATHER INSTALLATIONS:

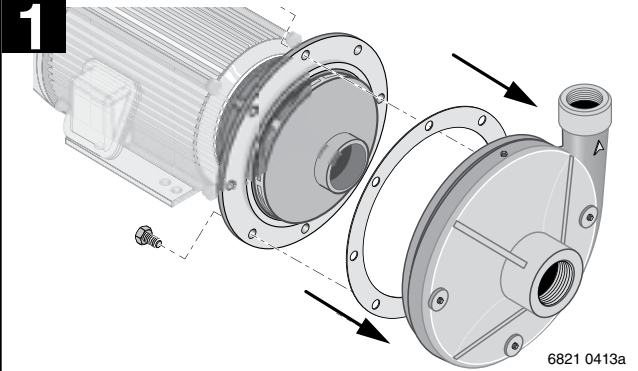
SYSTEM DRAINS: Provide drain valves to empty system, including pump case, to prevent freezing damage.

SHELTER: If possible, provide shelter for unit to protect from weather. Allow adequate space around pump unit for service. When effectively sheltered, a small amount of heat will keep temperature above freezing. Provide adequate ventilation for unit when running. For severe weather problems, where other shelter is not practical, a totally enclosed fan-cooled enclosure can be considered for electric motors.

CONDENSATION: When the temperature of metal parts is below dew point and the surrounding air is moist, water will condense on the metal surfaces and can cause corrosion damage. In severe situations, a space heater can be considered to warm the unit.

Removing Old Seal

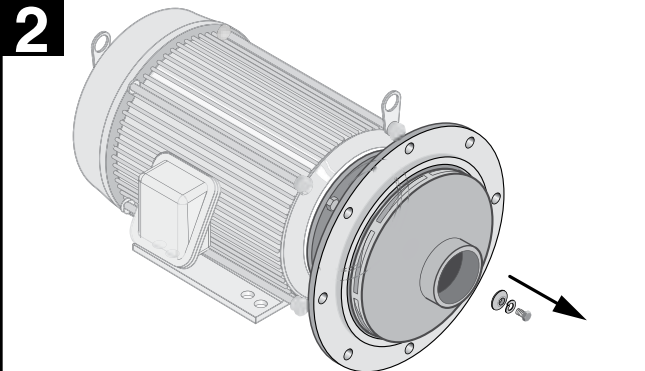
1



6821 0413a

Unfasten hardware holding volute to bracket. Remove volute to expose impeller.

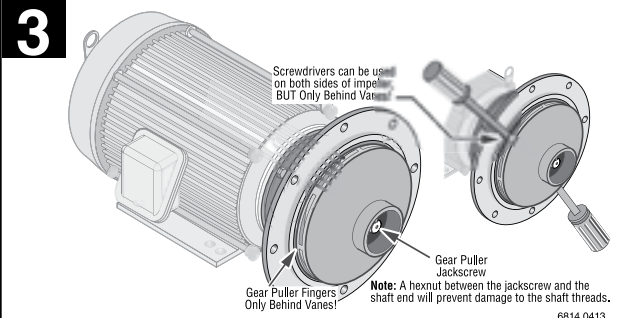
2



6813 0413

Peel off old gasket or O-Ring and discard. Hold impeller stationary and remove impeller screw and associated hardware.

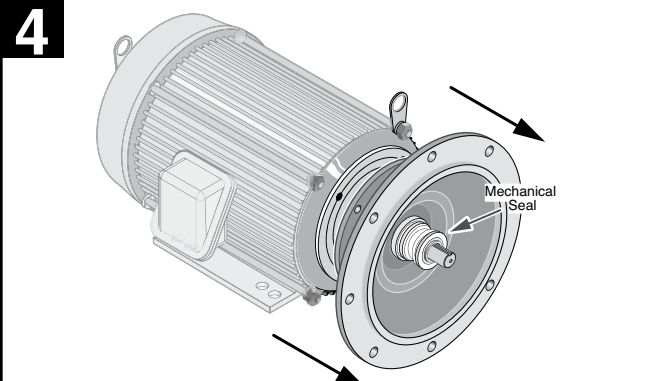
3



6814 0413

Install a two large screwdrivers or standard gear puller to shaft end of impeller placing puller fingers in the area shown. **NOTICE:** DO NOT pry on one side of the impeller only! The impeller will bend and/or break. Pull on opposite sides of the impeller to pull it straight forward.

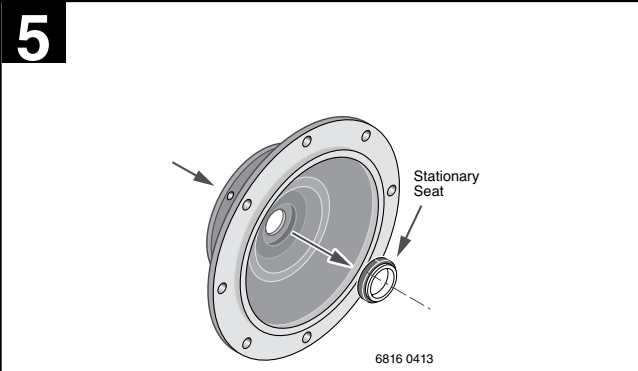
4



6815 0413

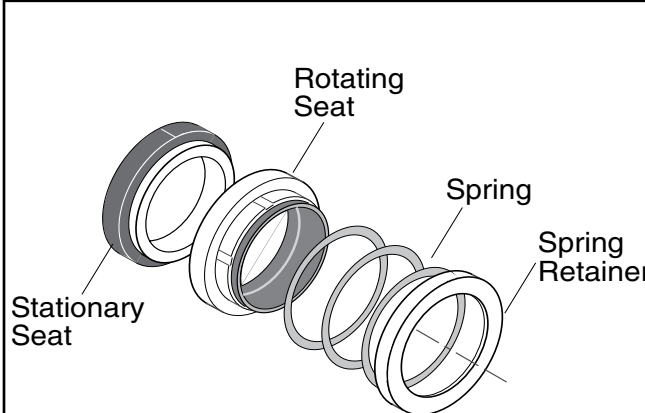
Mechanical shaft seal will come off with motor bracket. If a seal retaining ring is part of the assembly, it will need to be replaced.

5



6816 0413

Push stationary seal out of seal cavity from the back of bracket. Clean seal cavity in bracket thoroughly.



Stationary Seat

Rotating Seat

Spring

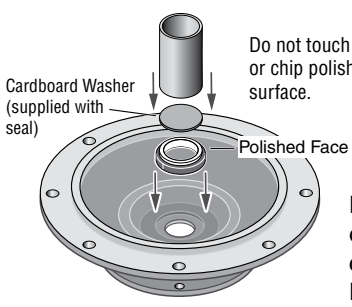
Spring Retainer

1189 0794

Procedure and parts will vary slightly depending on pump style.

Installing New Seal

1



Do not touch, scratch, or chip polished ceramic surface.

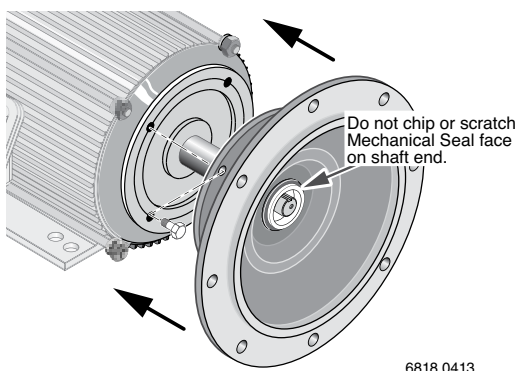
Cardboard Washer (supplied with seal)

Polished Face

Do not scratch or chip polished ceramic face. DO NOT touch polished surface

Place bracket on a smooth, flat surface, pump side up. Apply a small amount of mineral oil to O-Ring on stationary seal and press into seal cavity. Cover ceramic face with cardboard washer and press straight in using a piece of pipe or tubing.

2

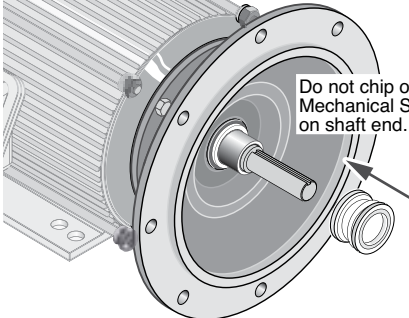


Do not chip or scratch Mechanical Seal face on shaft end.

6818 0413

Reinstall bracket on motor using extreme care not to scratch or chip ceramic face of seal with shaft.

3

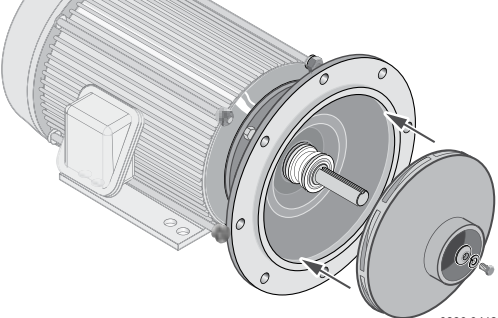


Do not chip or scratch Mechanical Seal face on shaft end.

6819 0413

Apply small amount of mineral oil to inside diameter of rubber ring in rotating seat and outside of shaft sleeve. Slide rotating seat onto shaft, polished face first, until it is tight against ceramic face. Compress seal spring and install retaining ring in shaft sleeve groove (if used). Place impeller key in motor shaft keyway. Slide impeller on to shaft as far as possible.

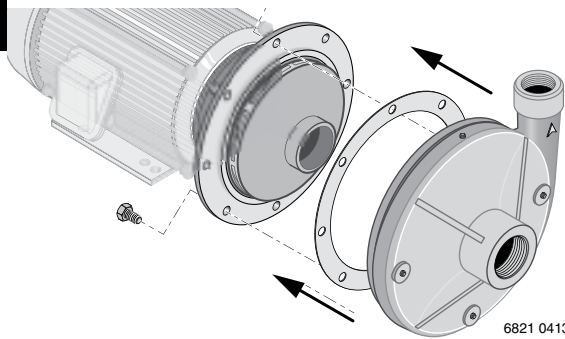
4



6820 0413

Clean shaft threads thoroughly. Apply non-permanent thread adhesive to impeller cap-screw and shaft threads. Install impeller washer, shake-proof lock-washer, and cap-screw.

5



6821 0413

Install gasket and volute on bracket. Use a new gasket or O-Ring when reassembling to prevent leakage (a coat of grease on gasket will aid in future disassembly and maintenance). Apply anti-seizing compound to cap-screws and tighten securely.

Procedure and parts will vary slightly depending on pump style.

ORDERING REPLACEMENT PARTS:

Locate the Berkeley nameplate on the pump; plate is normally on the motor bracket. Information found on this plate is shown below. To be sure of receiving correct parts, provide all nameplate data when ordering. The **BM (Bill of Material)** number is most important. Write your nameplate information on the blank nameplate below for future reference as nameplates can become worn or lost.

Illustrations on the following page show typical components used in the assembly of motor drive centrifugal pumps. Both mechanical seal and packing styles are shown. Refer to these drawings when ordering any replacement parts.

SAMPLE ONLY

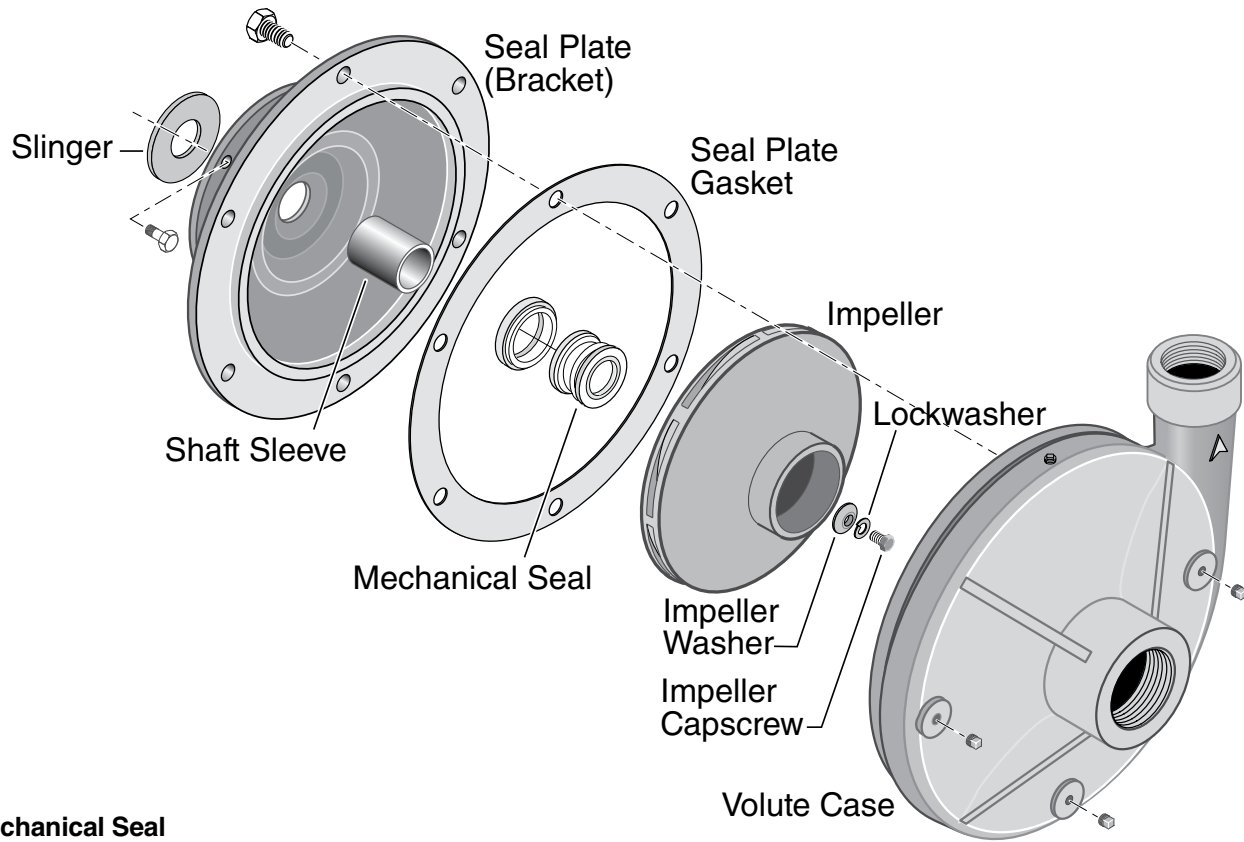
BERKELEY [®]		M15994PNR
Modelo/Model C11131L03	Serie/S.N. 024A13A	
Dia de impulsor/Impeller Dia. 7.5"	Fecha/Date DIC - 11	
STA-RITE de MEXICO		Email: infoventas@pentair.com TEL +52(81)8151-6102 Monterrey, N.L., Mexico

6807 0413

BERKELEY [®]		M15994PNR
Modelo/Model	Serie/S.N.	
Dia del impulsor/Impeller Dia.	Fecha/Date	
STA-RITE de MEXICO		Email: infoventas@pentair.com TEL +52(81)8151-6102 Monterrey, N.L., Mexico

6808 0413

Record nameplate data here.



Mechanical Seal

- Electric motor not shown.
- Drawing shows typical motor drive pump with packing or a mechanical shaft seal. Parts on some models will vary slightly.

SYMPTOM	PROBABLE CAUSE																		
	GROUP I ELECTRICAL									GROUP II MECHANICAL					GROUP III SYSTEM				
	A	B	C	D	E	F	G	H	I	A	B	C	D	E	F	A	B	C	
Pump runs, but no water delivered										X		X				X	X		
Not enough water delivered			X	X					X	X	X		X			X	X		
Not enough pressure			X	X					X	X	X		X			X	X		
Excessive vibration									X	X	X			X			X	X	
Abnormal noise										X	X	X		X	X		X	X	
Pump stops	X	X	X	X	X	X	X	X											
Overheating		X	X	X					X		X		X	X	X			X	

CAUSE	CORRECTIVE ACTION
I. ELECTRICAL	
A. No voltage in power system	Check phase-to-phase on line side of starter contactor. Check circuit breaker or fuses.
B. No voltage on one phase (Three Phase Units)	Check phase voltage on line side of starter contactor. Isolate open circuit (circuit breaker, fuse, broken connections, etc.)
C. Low voltage at motor	Running voltage across each leg of motor must be $\pm 10\%$ of nominal voltage shown on nameplate.
D. Motor leads improperly grouped for voltage	Refer to lead grouping diagram on motor nameplate.
E. Control failure	Check control device, starter contactor, H-O-A selector switch, etc., for malfunction.
F. Thermal overload switch open	Check phase-to-phase on line side of starter contactor.
G. Installation failure	Check motor or windings to ground with megohmmeter.
H. Open windings	Check leg-to-leg with ohmmeter.
I. Frequency variation	Check frequency of power system. Must be less than 5% variation from motor nameplate rating.
II. MECHANICAL	
A. Flow through pump completely or partially obstructed	Locate and remove obstruction. Refer to Repair Instructions for disassembly.
B. Wrong direction of rotation	Reverse rotation of three phase motor by interchanging any two leads. See manufacturer's Instructions for reversing single phase motor.
C. Pump not primed	Re-prime. Inspect suction system for air leaks.
D. Internal leakage	Check impeller for wear of controlled clearances (See Repair Instructions).
E. Loose parts	Inspect. Repair.
III. SYSTEM	
A. Pressure required by system at design flow rate exceeds pressure rating of pump	Compare pump pressure and flow rate against pump characteristic curve. Check for closed or partially closed valve in discharge piping system. Reduce system pressure requirement. Increase pressure capability of pump.
B. Obstruction in suction piping	Locate and remove obstruction.
C. Pressure rating of pump exceeds pressure requirement of system at design flow rate	Compare pump pressure and flow rate against pump characteristic curve. Inspect discharge piping system for breaks, leaks, open by-pass valves, etc. If necessary, reduce flow rate by partially closing discharge valve.

Limited Warranty

BERKELEY warrants to the original consumer purchaser (“Purchaser” or “You”) of the products listed below, that they will be free from defects in material and workmanship for the Warranty Period shown below.

Product	Warranty Period
Water Systems:	
Water Systems Products — jet pumps, small centrifugal pumps, submersible pumps and related accessories	<i>Whichever occurs first:</i> 12 months from date of original installation, or 18 months from date of manufacture
Pro-Source™ Composite Tanks	5 years from date of original installation
Pro-Source™ Steel Pressure Tanks	5 years from date of original installation
Pro-Source™ Epoxy-Lined Tanks	3 years from date of original installation
Sump/Sewage/Effluent Products	12 months from date of original installation, or 18 months from date of manufacture
Agricultural/Commercial:	
Centrifugals – close-coupled motor drive, frame mount, SAE mount, engine drive, VMS, SSCX, SSHM, solids handling, submersible solids handling	12 months from date of original installation, or 24 months from date of manufacture
Submersible Turbines, 6” diameter and larger	12 months from date of original installation, or 24 months from date of manufacture

Our limited warranty will not apply to any product that, in our sole judgement, has been subject to negligence, misapplication, improper installation, or improper maintenance. Without limiting the foregoing, operating a three phase motor with single phase power through a phase converter will void the warranty. Note also that three phase motors must be protected by three-leg, ambient compensated, extra-quick trip overload relays of the recommended size or the warranty is void.

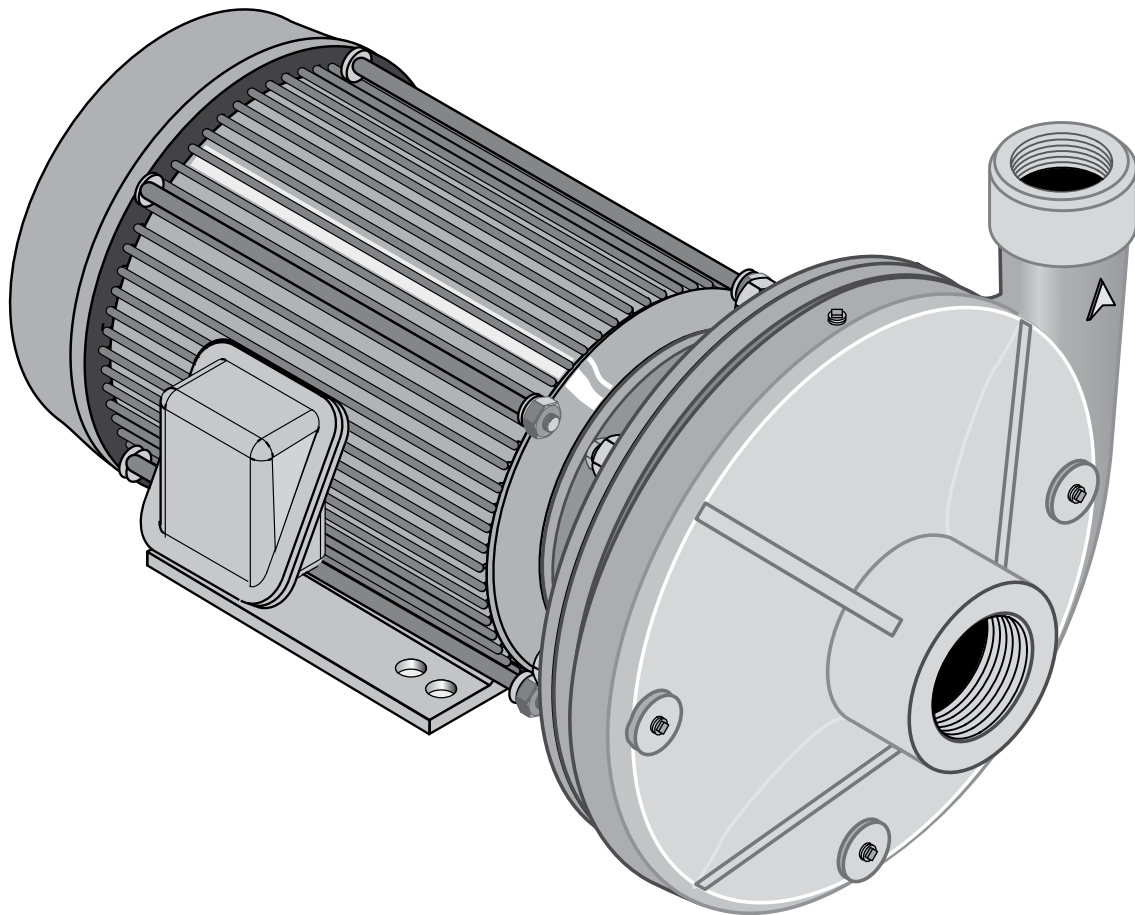
Your only remedy, and BERKELEY’s only duty, is that BERKELEY repair or replace defective products (at BERKELEY’s choice). You must pay all labor and shipping charges associated with this warranty and must request warranty service through the installing dealer as soon as a problem is discovered. No request for service will be accepted if received after the Warranty Period has expired. This warranty is not transferable.

BERKELEY SHALL NOT BE LIABLE FOR ANY CONSEQUENTIAL, INCIDENTAL, OR CONTINGENT DAMAGES WHATSOEVER. THE FOREGOING LIMITED WARRANTY IS EXCLUSIVE AND IN LIEU OF ALL OTHER EXPRESS AND IMPLIED WARRANTIES, INCLUDING BUT NOT LIMITED TO THE IMPLIED WARRANTIES OF MERCHANTABILITY AND FITNESS FOR A PARTICULAR PURPOSE. THE FOREGOING WARRANTIES SHALL NOT EXTEND BEYOND THE DURATION EXPRESSLY PROVIDED HEREIN. Some states do not allow the exclusion or limitation of incidental or consequential damages or limitations on the duration of an implied warranty, so the above limitations or exclusions may not apply to You. This warranty gives You specific legal rights and You may also have other rights which vary from state to state.

This warranty supersedes and replaces all previous warranty publications.

In the U.S.: BERKELEY, 293 Wright St., Delavan, WI 53115
In Canada: 269 Trillium Dr., Kitchener, Ontario N2G 4W5
In Mexico: STA-RITE DE MEXICO Monterrey, N.L., Mexico

BERKELEY®



	Pág.
SEGURIDAD	27
INSTALACIÓN	
Información General	28-29
Cimentación de la Bomba	29
Conexión de Succión de la Bomba Centrífuga.....	30-33
Conexión de Succión de la Bomba en Piscinas	34-35
Conexión de Descarga	36-37
Conexión Eléctrica.....	38
ARRANQUE	
Información General	39
Determinar la Rotación de la Bomba.....	40
Cebado de la Bomba.....	41
MANTENIMIENTO	
Sello Mecánico	42-44
NOMENCLATURA DE LA BOMBA	
Información General	45
Diagrama de Partes.....	46
RESOLUCIÓN DE PROBLEMAS	47
GARANTÍA	48

¡LEA Y SIGA LAS INSTRUCCIONES DE SEGURIDAD!

⚠ Este es el símbolo de Alerta. Cuando vea éste símbolo en tu bomba o en el manual, busque alguna de las siguientes palabras y esté alerta a lesiones personales potenciales:

⚠ PELIGRO Alerta sobre peligros que podrían causar severas lesiones, muerte o daños mayores a propiedades si se ignora.

⚠ ADVERTENCIA Alerta sobre peligros que podrían o pueden causar severas lesiones, muerte o daños mayores a propiedades si se ignora.

⚠ PRECAUCIÓN Alerta sobre peligros que podrían o pueden causar lesiones menores o daños a propiedades si se ignora.

La etiqueta **AVISO** indica instrucciones especiales que son importantes pero no están relacionadas con peligros.

Proposición de Advertencia 65 de California

⚠ ADVERTENCIA Este producto y sus accesorios contienen químicos reconocidos por el Estado de California que podrían causar cáncer, defectos congénitos u otros problemas reproductivos.

Lea cuidadosamente y siga todas las instrucciones de seguridad en éste manual y en la bomba.

Mantenga las etiquetas de seguridad en buenas condiciones.

Reemplace etiquetas dañadas.

Seguridad Eléctrica

⚠ PELIGRO



Voltaje Peligroso. Puede electrocutar, quemar o causar la muerte.
Aterrice la bomba antes de conectar a la corriente eléctrica

⚠ Cablear el motor para el voltaje correcto. Vea la sección "Eléctrica" de éste manual y placa del motor.

⚠ Aterrice el motor antes de conectar a la fuente de poder.

⚠ Siga el código eléctrico nacional y local en todo el cableado.

⚠ Siga las instrucciones de cableado del manual cuando conecte el motor a la línea eléctrica.

Seguridad General

No permita que la bomba, tubería u otro componente del sistema que contenga agua se congele. La congelación puede dañar el sistema, ocasionando lesiones o inundación. La congelación anula la garantía.

Utilice solamente líquidos aprobados para ésta bomba.

Inspeccione periódicamente la bomba y sus componentes.

Siempre utilice lentes de seguridad cuando trabaje con bombas.

Mantenga el área de trabajo limpia, ordenada y con buena iluminación; almacene correctamente herramientas y equipos que no utilice.

Mantenga a los visitantes a una distancia segura de las áreas de trabajo.

Diseñe los talleres a prueba de niños; utilice candados y sistemas de seguridad, elimine las llaves.

Instrucciones de Seguridad de Piscinas y Spas.

⚠ ADVERTENCIA Equipo instalado incorrectamente puede fallar, causando lesiones severas o daños materiales.

Lea y siga las instrucciones en el manual cuando instale y opere el equipo. Haga que un especialista en piscinas realice todas las pruebas de presión.

1. No conecte el sistema a alta presión o sistema municipal de agua.
2. Instale la bomba con al menos 2 drenajes hidráulicos balanceados equipados con cubiertas seguras certificadas, al menos a 3 pies de distancia de punto a punto. Vea Página 25.
3. Aire atrapado en el sistema puede causar explosión. **ASEGÚRESE** que todo el aire se extraiga del sistema antes de operar o probar el equipo.

Antes de la prueba de presión, siga las siguientes medidas de seguridad:

- Verifique las abrazaderas, tornillos, tapas y accesorios antes de realizar la prueba.
- Extraiga todo el aire del sistema antes de la prueba.
- Apriete las tapas Berkeley a 30 pies/lbs (4.1 kg-cm) de torque para la prueba.
- La presión del agua para la prueba debe ser menor a 25 PSI (172 kPa).
- La temperatura del agua debe ser menor a 100° F (38° C).
- Limite la prueba a 24 hrs. Después, inspeccione el sistema para asegurarse que está listo para operar. Elimine la tapa de la trampa y apriete a mano solamente.

AVISO: Estos parámetros aplican sólo para equipo Berkeley. Para equipo que no sea Berkeley consulta instrucciones del fabricante.

⚠ ADVERTENCIA Peligro de aplastamiento por equipo pesado. NUNCA camine bajo o cerca de la bomba suspendida.

NO atornille un perno en la carcasa del motor y trate de levantarla! El punto de suspensión construido en la carcasa del motor no está diseñado para soportar el peso combinado del motor y bomba.

La grúa debe tener una mayor capacidad de carga que el peso combinado del motor y de la bomba. Utilice un mínimo de dos cadenas o bandas para levantar el motor/bomba. Cada cadena o banda debe poder soportar el peso combinado del motor y bomba.

PROCEDIMIENTO DE CARGA MOTOR / BOMBA:

Enlace la primer cadena o banda bajo el extremo del ventilador y apriete contra el pie del motor, y la segunda cadena o banda bajo el soporte de montaje entre el motor y la bomba.

Eleve el ensamble del motor/bomba lentamente y asegúrese que las cadenas o bandas no se resbalarán cuando se tensen. Balancee el motor y la bomba con cadenas o bandas para distribuir el peso. Si no se balancea, elimine tensión en cadenas y reajuste.



Información General

UBICACIÓN:

Ubique la bomba tan cerca del suministro de agua como sea posible. Haga que la tubería corra lo más corto y recto posible, especialmente si se requiere un elevador de succión.

Debe tenerse atención especial para asegurarse que la presión positiva de succión disponible exceda la presión positiva de succión requerida por la bomba o puede reducirse el desempeño y dañar severamente a la bomba. En caso de duda verificar con su distribuidor Berkeley más cercano. Instale la bomba en una locación limpia, seca y drenada accesible a inspecciones y mantenimiento. Proporcione amplia ventilación.

CIMENTACIÓN: *Vea ilustraciones.*

▲ ADVERTENCIA Equipo Pesado. Utilice equipo adecuado para manejar la instalación de la bomba. La bomba debe cimentarse con concreto que permita absorber la vibración y que permita un soporte rígido permanente.

TUBERIAS:

La tubería debe ser al menos una medida comercial más grande que las conexiones de la bomba y la velocidad de flujo no debe exceder ocho (8) pies por segundo. En instalación de piscina, la velocidad de flujo no debe exceder seis (6) pies por segundo.

AVISO: Tenga cuidado al alinear la tubería con la bomba. Una mala alineación puede causar distorsión de los componentes de la bomba resultando en rompimiento y reducción de la vida de la bomba.

Soporte la tubería de tal manera que no exista una tensión excesiva en las conexiones. Verifique la alineación de la siguiente manera: con la bomba desconectada y las válvulas cerradas, remueva los pernos de las bridas. Si las bridas se separan es porque está desalineada causando presión en las conexiones. Ajuste los soportes de la tubería hasta que las bridas se junten sin presión. Este procedimiento puede repetirse en todo el sistema de conducción.

TUBERÍA DE SUCCIÓN:

Vea páginas 34 y 35 para instrucciones de instalación para piscinas de bombeo circulante. Vea páginas 30 a 33 para practicas recomendadas y no recomendadas en conexiones de succión de instalaciones centrífugas.

TUBERÍA DE DESCARGA:

Vea ilustraciones de la página 36 y 37 para prácticas recomendadas y no recomendadas en conexiones de descarga.

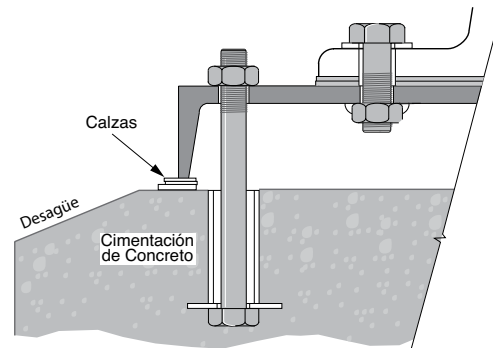
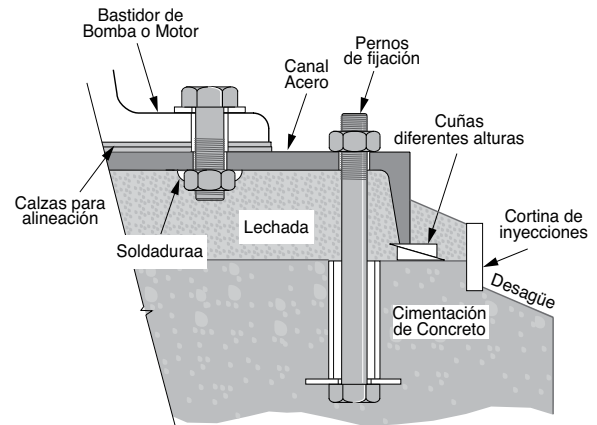
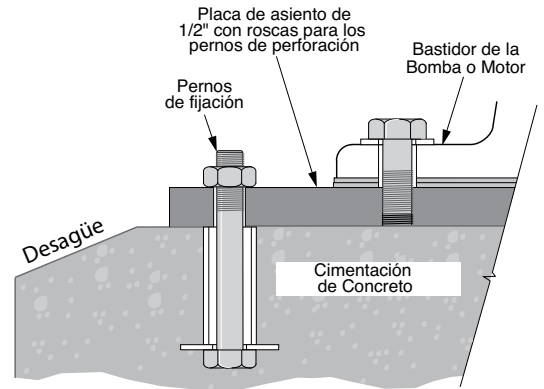
CONEXIONES ELÉCTRICAS:

▲ ADVERTENCIA Alto Voltaje. Puede quemar o causar la muerte. Todo el cableado debe realizarse por un profesional. Desconecte la corriente al realizar el mantenimiento.

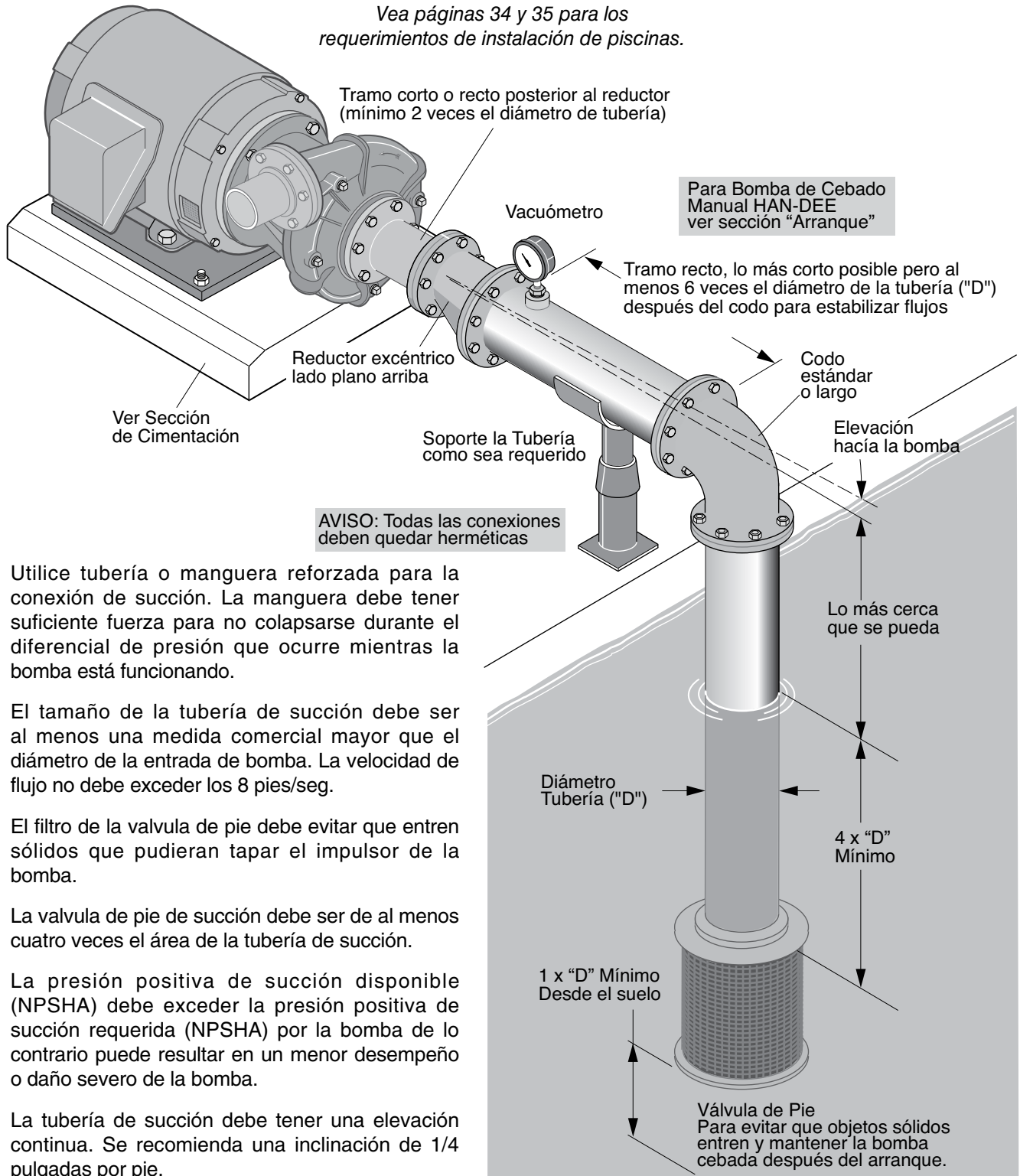
Verifique voltaje y fases en la etiqueta del motor de la bomba antes de conectar. Asegúrese que concuerde con su fuente de poder. Deber ser IGUALES. Si duda llame a su compañía eléctrica.

Vea ilustración Pág. 38 para recomendaciones de conexión.

Cimentación de la Bomba



- Hay diferentes tipos de cimentación de bombas permanentes. Las ilustraciones muestran las típicas.
- Si se utiliza lechada, la parte superior del concreto debe quedar rugoso para proporcionar superficie de sujeción.
- La cimentación debe tener una inclinación para evitar encharcamientos en la bomba.

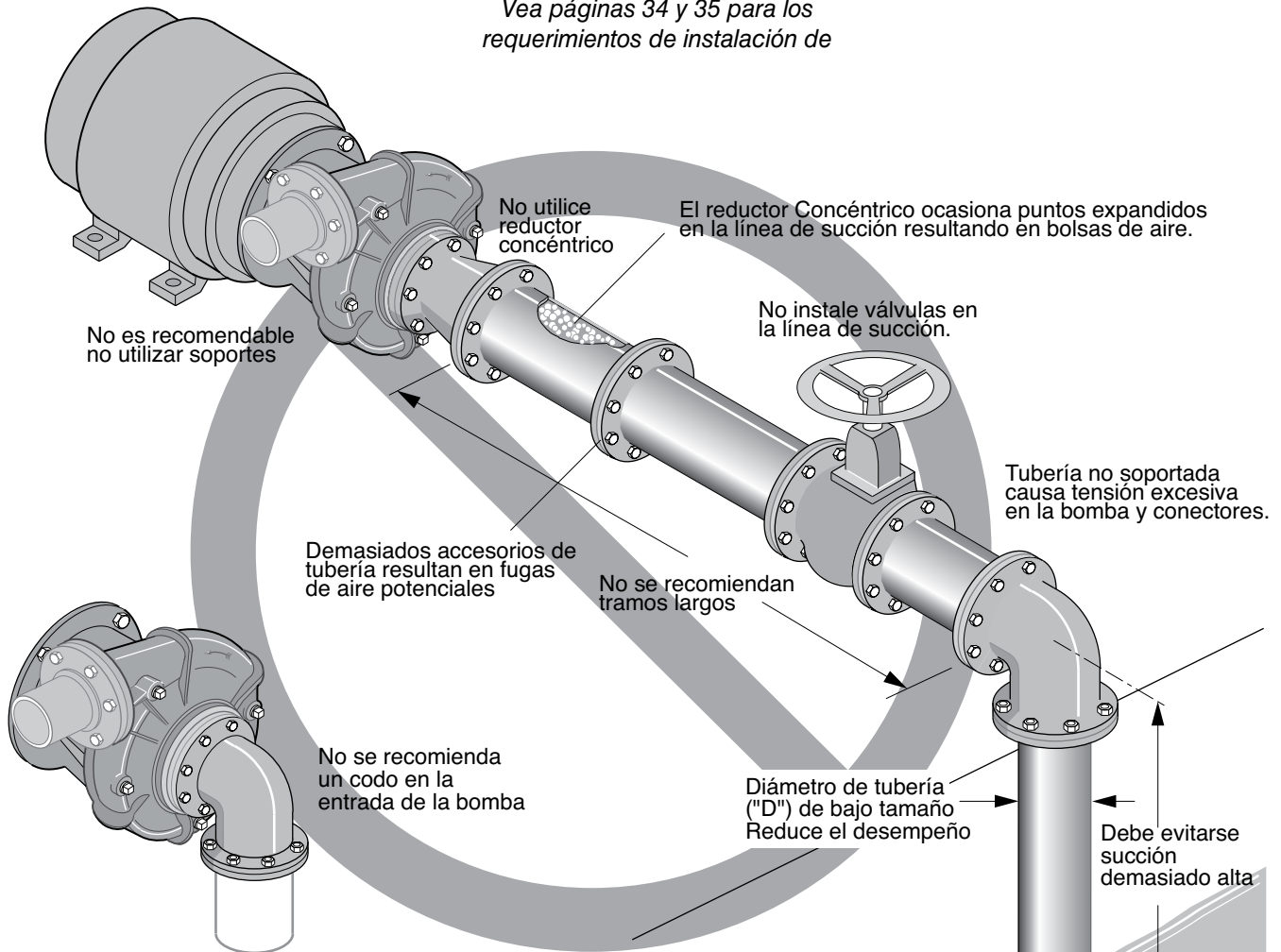


- Utilice tubería o manguera reforzada para la conexión de succión. La manguera debe tener suficiente fuerza para no colapsarse durante el diferencial de presión que ocurre mientras la bomba está funcionando.
- El tamaño de la tubería de succión debe ser al menos una medida comercial mayor que el diámetro de la entrada de bomba. La velocidad de flujo no debe exceder los 8 pies/seg.
- El filtro de la valvula de pie debe evitar que entren sólidos que pudieran tapar el impulsor de la bomba.
- La valvula de pie de succión debe ser de al menos cuatro veces el área de la tubería de succión.
- La presión positiva de succión disponible (NPSHA) debe exceder la presión positiva de succión requerida (NPSHA) por la bomba de lo contrario puede resultar en un menor desempeño o daño severo de la bomba.
- La tubería de succión debe tener una elevación continua. Se recomienda una inclinación de 1/4 pulgadas por pie.

El filtro previene la entrada de material sólido y previene que se tape el sistema y ocasione peligros.

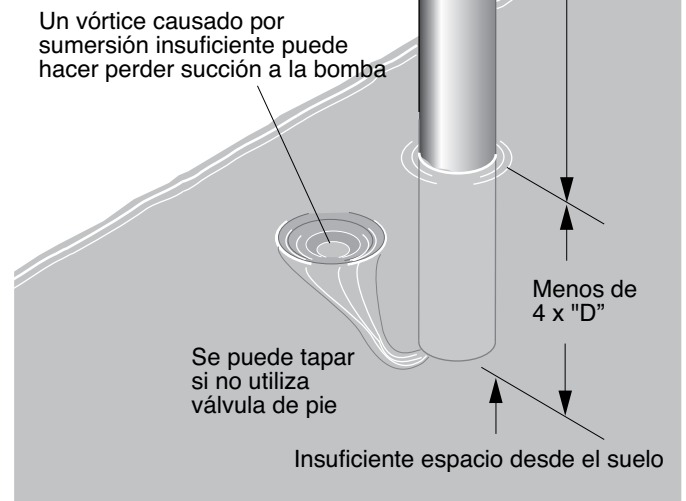
Recomendado

Vea páginas 34 y 35 para los requerimientos de instalación de



- Una tubería inclinada en la succión de la bomba atraparé aire que reducirá el desempeño y puede causar que el cebado de la bomba no sea eficiente.
- Una tubería de succión de menor tamaño creará exceso de fricción que puede causar cavitación y reducir el desempeño de la bomba.
- Un exceso de conectores y codos en la línea de succión puede resultar en aire atrapado, reduciendo el desempeño, y alta fricción que puede causar cavitación.

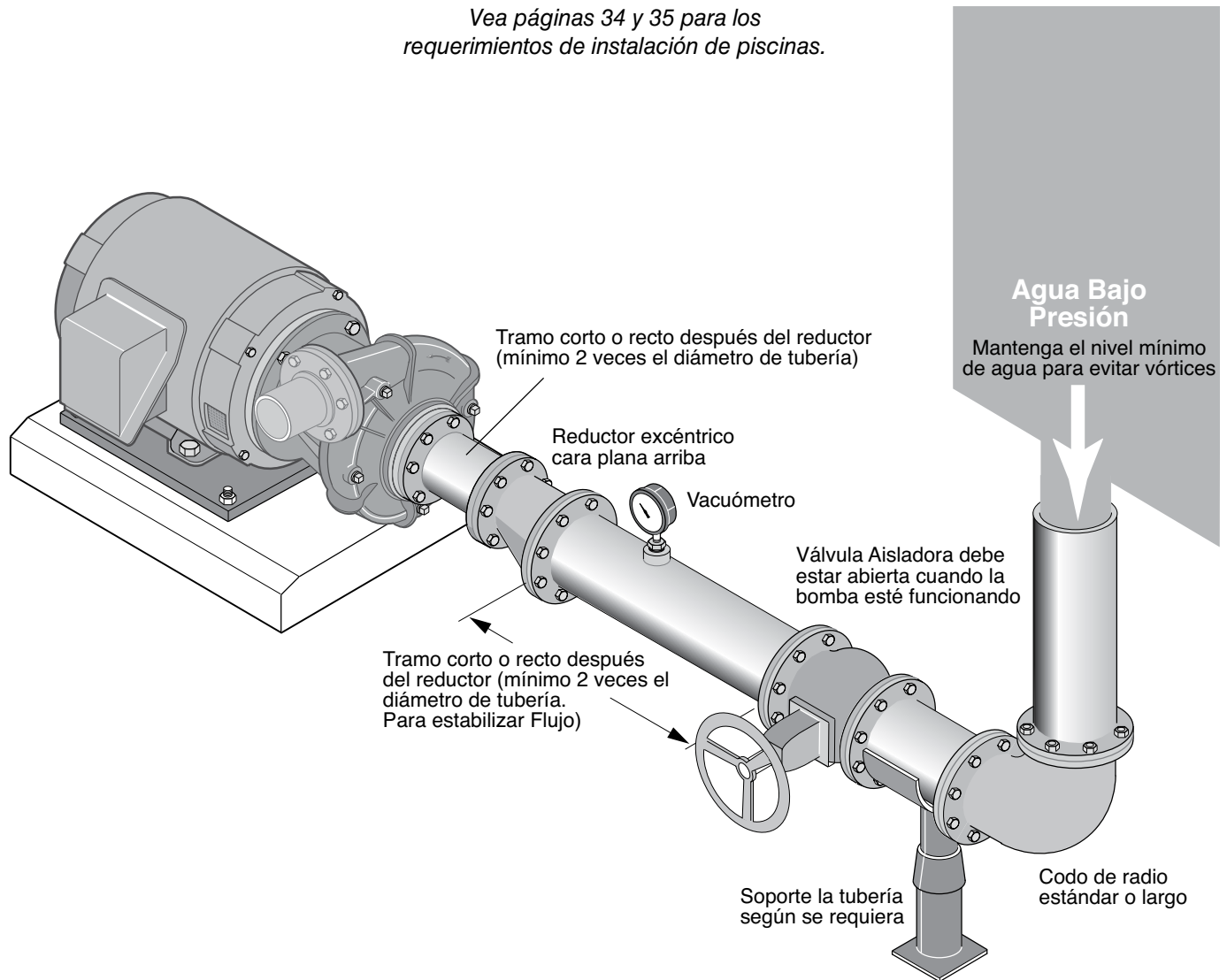
⚠ ADVERTENCIA Peligro de atascamiento si no se utiliza un filtro.



⊘ No Recomendado ⊘

Con succión positiva

Vea páginas 34 y 35 para los requerimientos de instalación de piscinas.

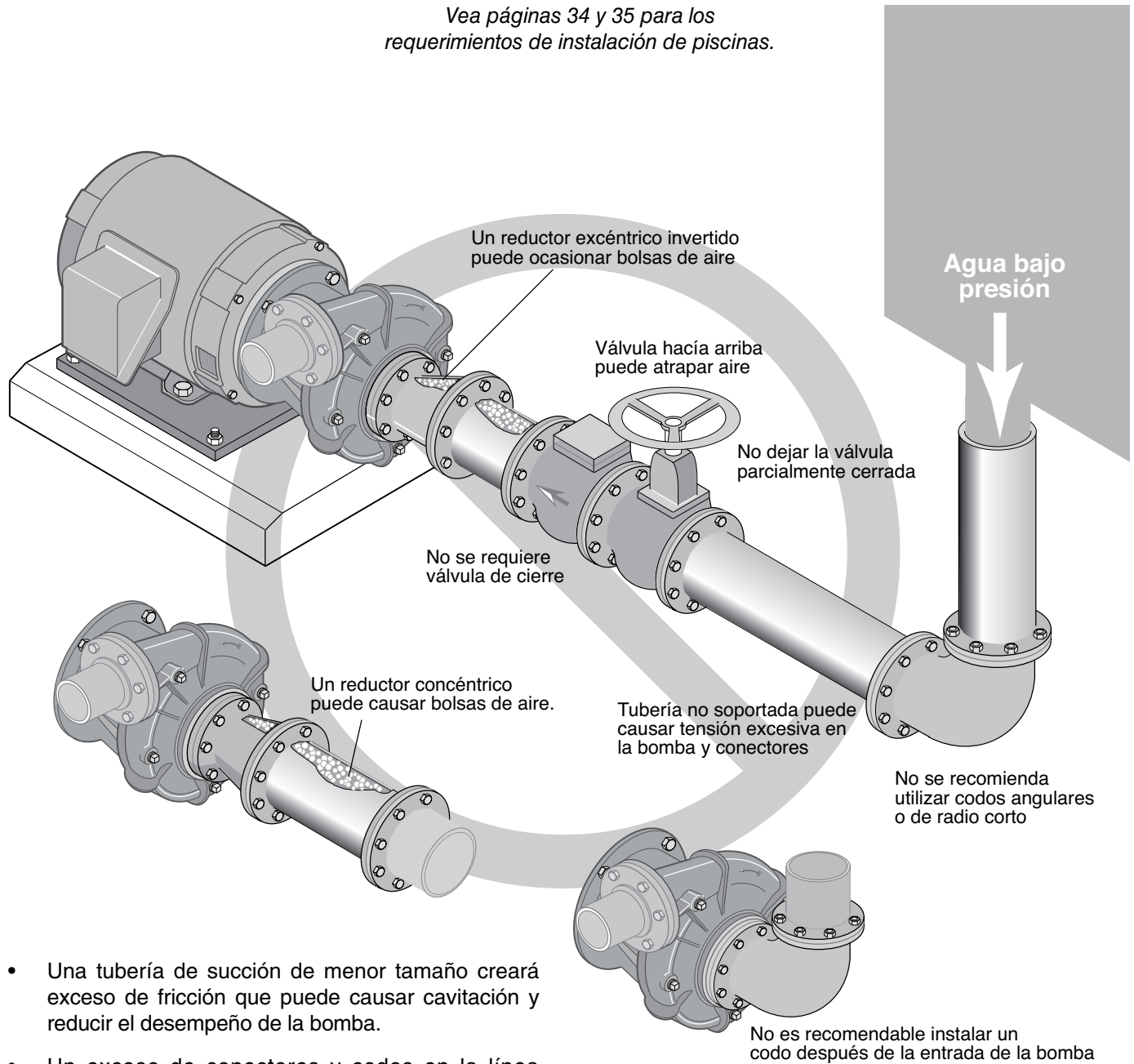


- Utilice tubo, tubería o manguera reforzada para la conexión de succión. La manguera debe tener suficiente fuerza para no colapsarse bajo diferencia de presión atmosférica que pueda ocurrir mientras la bomba esté en funcionamiento.
- Es importante, aún con una condición de succión positiva, que se utilicen los conectores de tubería adecuados para que el agua que llegue al impulsor tenga un flujo y velocidad consistente.
- El tamaño de la tubería de succión debe ser al menos una medida comercial mayor que el diámetro de la entrada de bomba. La velocidad de flujo no debe exceder los 8 pies/seg.
- Se debe instalar una válvula de aislamiento en la succión para permitir el mantenimiento de la bomba.
- Los conductos y conexiones de tubería deben estar correctamente alineados y soportados independientemente para reducir tensión en la carcasa de la bomba.
- Si hay sólidos presentes, debe utilizarse un filtro para proteger adecuadamente a la bomba.

Recomendado

Con succión positiva

Vea páginas 34 y 35 para los requerimientos de instalación de piscinas.



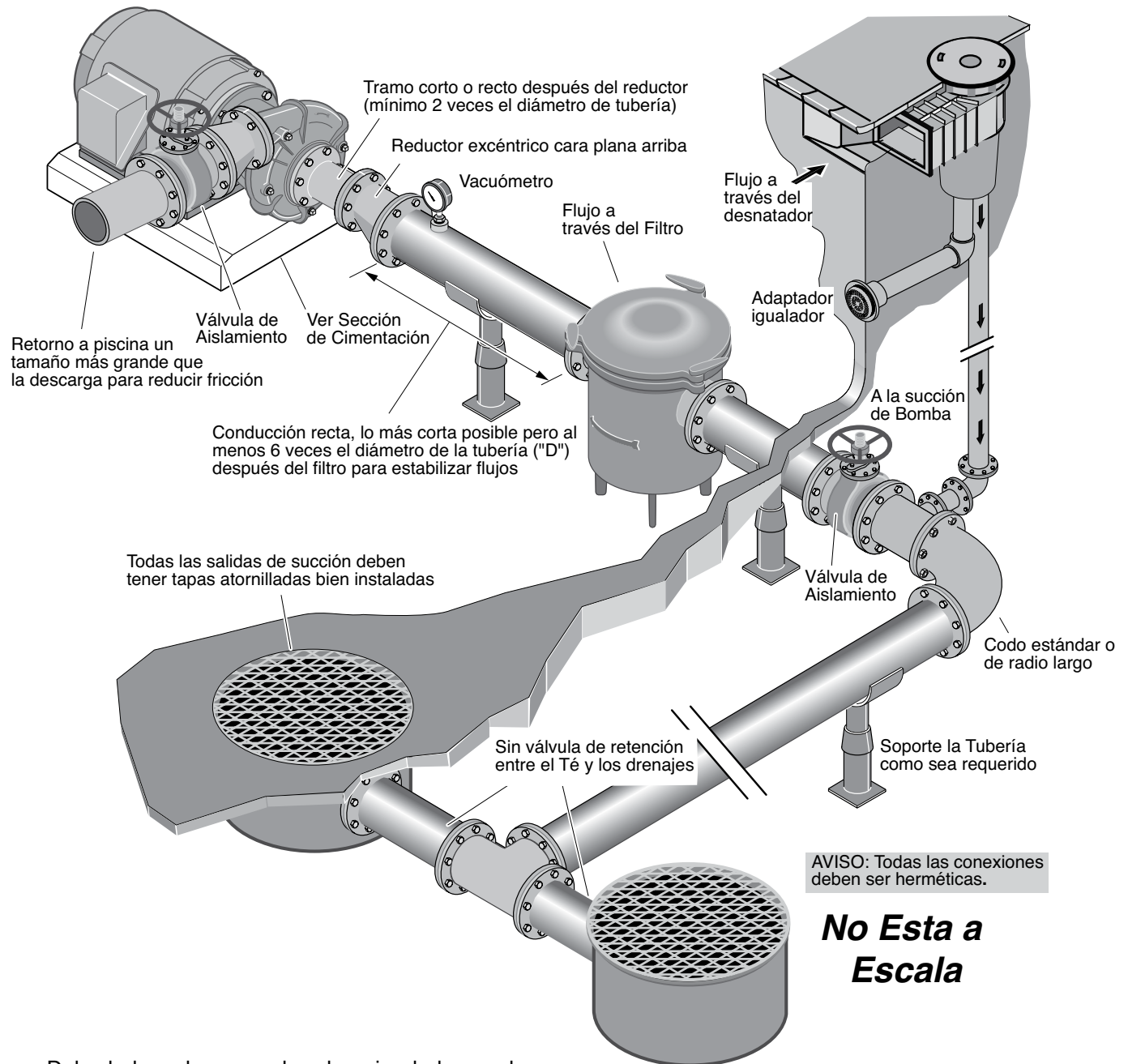
- Una tubería de succión de menor tamaño creará exceso de fricción que puede causar cavitación y reducir el desempeño de la bomba.
- Un exceso de conectores y codos en la línea de succión puede resultar en aire atrapado, reduciendo el desempeño, y alta fricción que puede causar cavitación
- Si se requiere una válvula de retención para prevenir el flujo de retorno, colóquela en el extremo de la descarga de la bomba.



No Recomendado



Piscina común



- Debe haber al menos dos drenajes balanceados hidráulicamente para cada línea de bomba de succión. El drenaje principal debe estar al menos a tres pies de distancia de cada punto.
- El sistema de succión de la bomba *debe* contar con protección contra atascamientos de cabello o saturación de sólidos. Todas las tapas de succión deben conservarse. Deben reemplazarse si se dañan, pierden o rompen.
- Si el 100% del flujo de la bomba proviene del sistema de drenaje principal, la velocidad máxima del agua en el sistema hidráulico de succión de la bomba debe ser por lo menos seis pies por segundo o menos aunque un drenaje principal (conexión de succión) se bloquee completamente.

- El sistema no debe poder operar con agua que provenga solamente de un drenaje principal (es decir, debe haber al menos dos drenajes conectados a la bomba cuando esté en funcionamiento.) Sin embargo, si los dos drenajes corren en una línea de succión única, ésta deberá estar equipada con una válvula que cerrará ambos drenajes hacia la bomba.

Requerimientos de succión

▲ ADVERTENCIA La bomba de succión es peligrosa y puede atrapar nadadores, ahogarlos o destriparlos. No la opere en piscinas, spas o jacuzzis si una tapa de succión está dañada, suelta o ausente. Siga las siguientes indicaciones para la instalación de la bomba para minimizar riesgos a los usuarios de piscinas, spas o jacuzzis.

Protección contra atrapamiento

El sistema de succión de la bomba debe proporcionar protección contra atrapamiento o enredo de cabello.

Tapas de protección

Todas las tapas de las salidas de succión deben tener buen mantenimiento. Se deben reemplazar si se dañan, pierden o rompen.

Todas las salidas de succión deben tener tapas instaladas correctamente y atornilladas.

Pruebas y Certificaciones

Las tapas de succión deben estar probadas y reconocidas por un laboratorio reconocido y que cumplan con las especificaciones de ASME/ANSI para Especificaciones de Sistemas de Succión para Uso en Piscinas, Spas, Jacuzzis y Aplicaciones de Hidromasaje.

Debe instalarse un filtro con certificación NSF a prueba de cabellos e hilos para cumplir con el Estándar 50 de NSF.

Salidas de la Bomba

Proporcionar al menos dos drenajes balanceados hidráulicamente, con tapas (ver Página 34) para cada línea de succión de la bomba en la piscina. Los drenajes (conexiones de succión) deben estar al menos a tres pies de distancia de punto a punto.

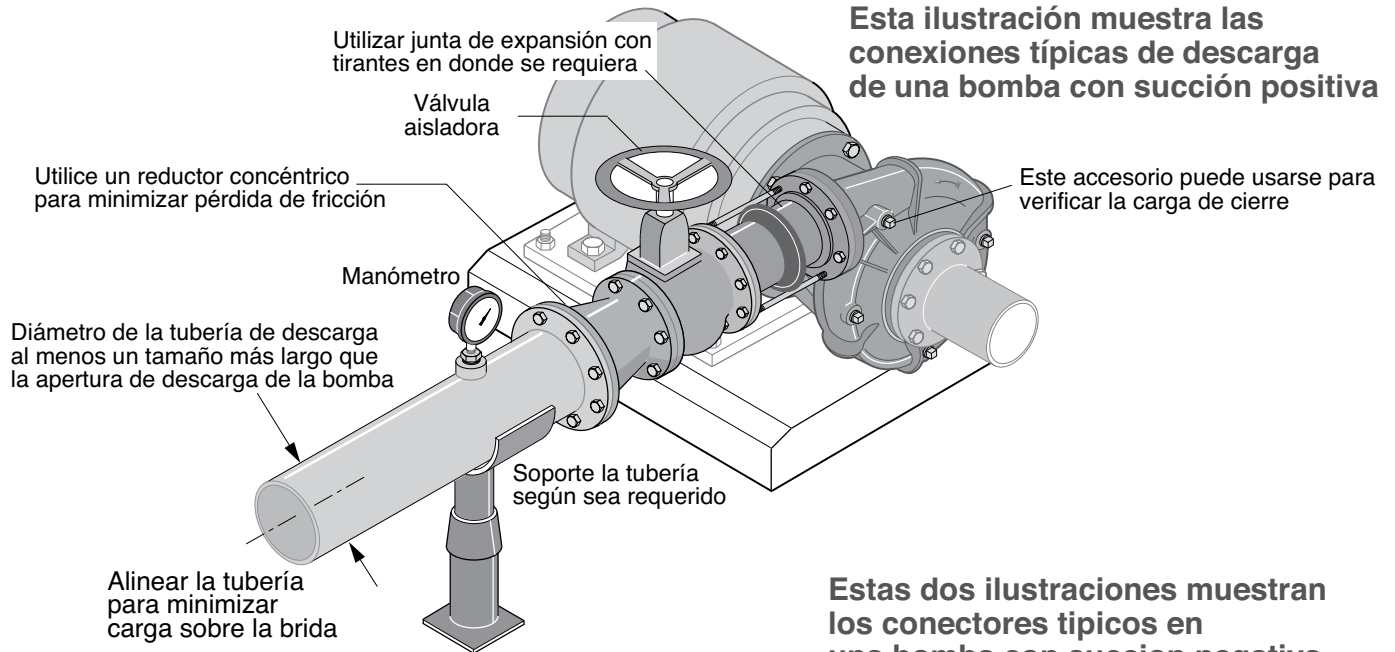
El sistema no debe poder operar con agua que provenga solamente de un drenaje principal (es decir, debe haber al menos dos drenajes conectados a la bomba cuando esté en funcionamiento.) Sin embargo, si los dos drenajes corren en una línea de succión única, ésta deberá estar equipada con una válvula que cerrará ambos drenajes hacia la bomba.

Más de una bomba puede conectarse a una misma línea de succión mientras se cumplan estos requisitos.

Velocidad del Agua

La máxima velocidad del agua en la salida de succión debe ser de 1.5 pies por segundo. En cualquier caso, no debe exceder los rangos de flujo máximos de los adaptadores de succión.

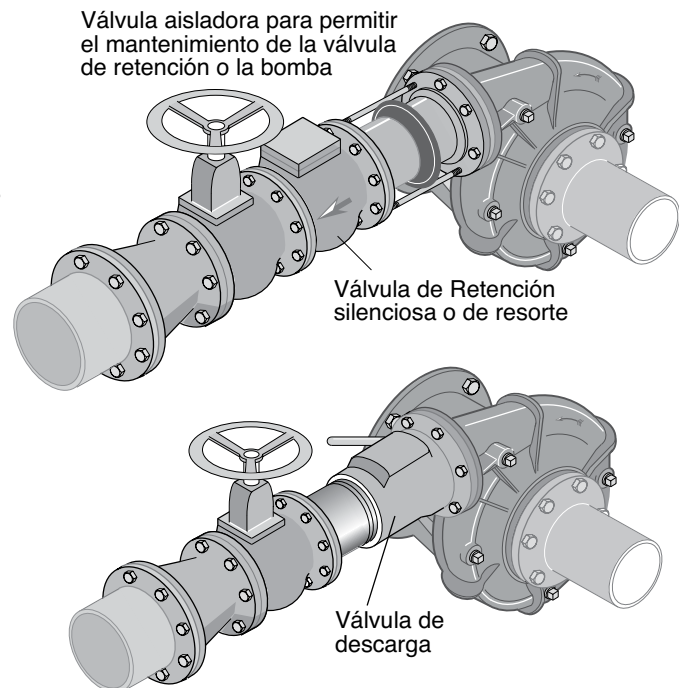
Si el 100% del flujo de la bomba proviene del sistema de drenaje principal, la velocidad máxima del agua en el sistema hidráulico de succión de la bomba debe ser por lo menos seis pies por segundo o menos aunque un drenaje principal (conexión de succión) se bloquee completamente.



Esta ilustración muestra las conexiones típicas de descarga de una bomba con succión positiva

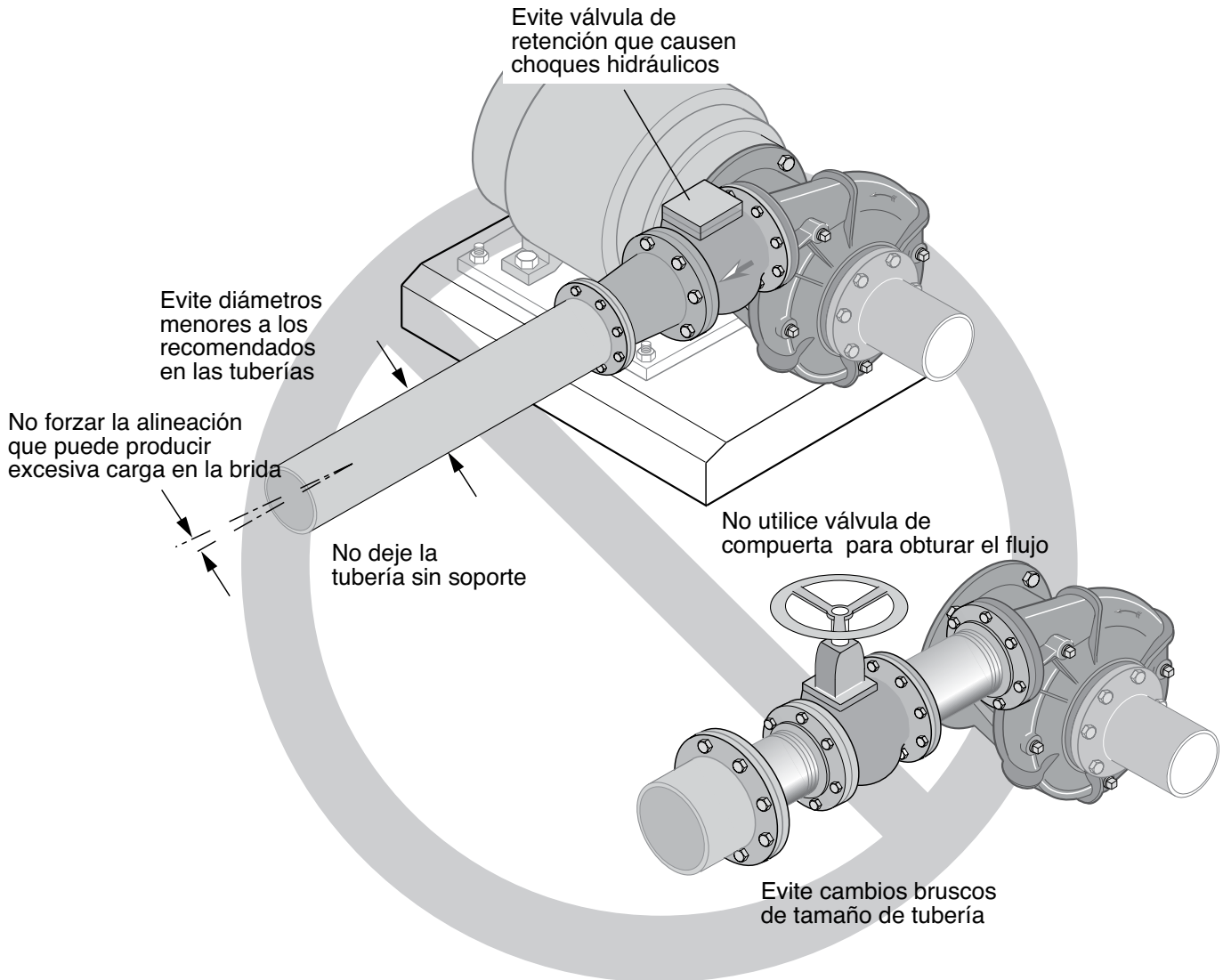
Estas dos ilustraciones muestran los conectores típicos en una bomba con succión negativa

- Utilice tubo, tubería o manguera reforzada para la conexión de succión. El material seleccionado debe tener la fuerza suficiente para resistir las presiones de operación.
- La tubería de descarga deberá dimensionarse para que la velocidad del flujo sea menor a 8 pies por segundo.
- Utilice **SOLAMENTE** válvulas de retención contra sacudidas para prevenir choques hidráulicos (golpe de ariete).
- Use compuertas y válvulas de mariposa para aislamiento. La válvula debe estar completamente abierta durante la operación.
- Utilice el tamaño adecuado de tubería para el sistema de descarga, utilizando la menor cantidad de codos y té para evitar pérdidas de fricción.
- Instale un manómetro después del reductor como se ilustra para verificar la presión de operación o la presión al cierre.



706 0294SP

Recomendado



708 0294SP

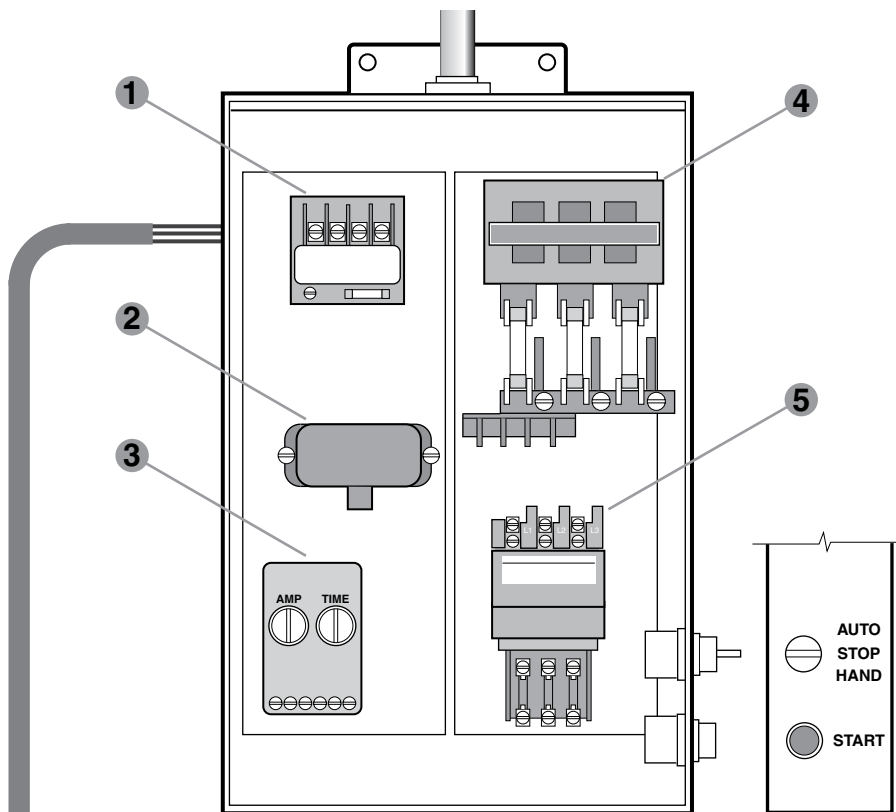
- Evite pérdida de fricción causada por exceso de conectores, diámetro de tubería insuficiente, y vueltas cerradas en los conductos.
- Las válvulas de retención tipo columpio pueden permitir que se genere una velocidad de reversa antes de cerrarse causando un choque hidráulico o “golpe de ariete.”



No Recomendado



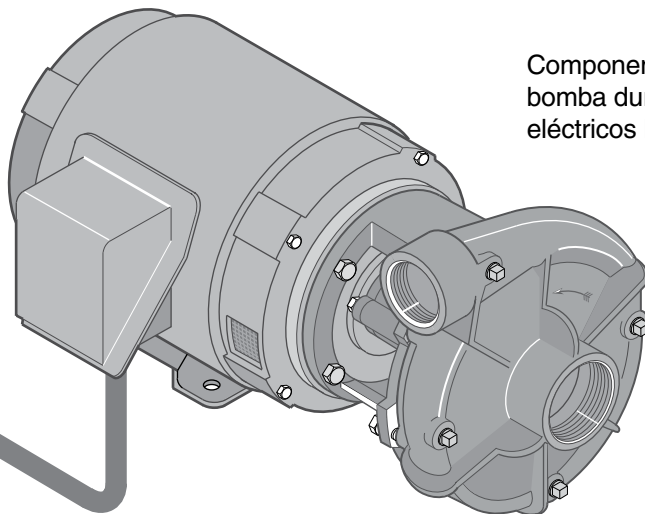
Alimentación de Poder



Gabinete NEMA 3R

Componentes mínimos recomendados para proteger la bomba durante la operación. Verifique todos los códigos eléctricos locales antes de instalar.

1. **Contactador**
2. **Protección de Rayos**
3. **Pérdida de Protección de Cebado**
4. **Desconexión de Fusibles**
5. **Arrancador**



VERIFICAR ROTACIÓN:

Antes de operar la bomba, debe verificarse la dirección rotacional para un correcto desempeño de la bomba. Ver ilustración de la Página 40.

⚠ ADVERTENCIA ALTO VOLTAJE. Puede electrocutar, quemar o causar la muerte. Desconecte la bomba antes del mantenimiento.

No intente realizar cambios en el cableado sin desconectar primero la bomba.

CEBADO:

El cebado de la bomba es el desplazamiento del aire con agua en la bomba y tubería de succión. La bomba **DEBE** estar completamente llena de agua cuando esté funcionando.

Vea la Página 41 para instrucciones bajo las siguientes condiciones:

1. Altura de succión con bomba cebada (suministro de agua bajo la bomba)
2. Altura de succión con válvula de pie (suministro de agua bajo la bomba).
3. Succión positiva (suministro de agua por encima de la bomba, o presión de agua mayor a la presión atmosférica).

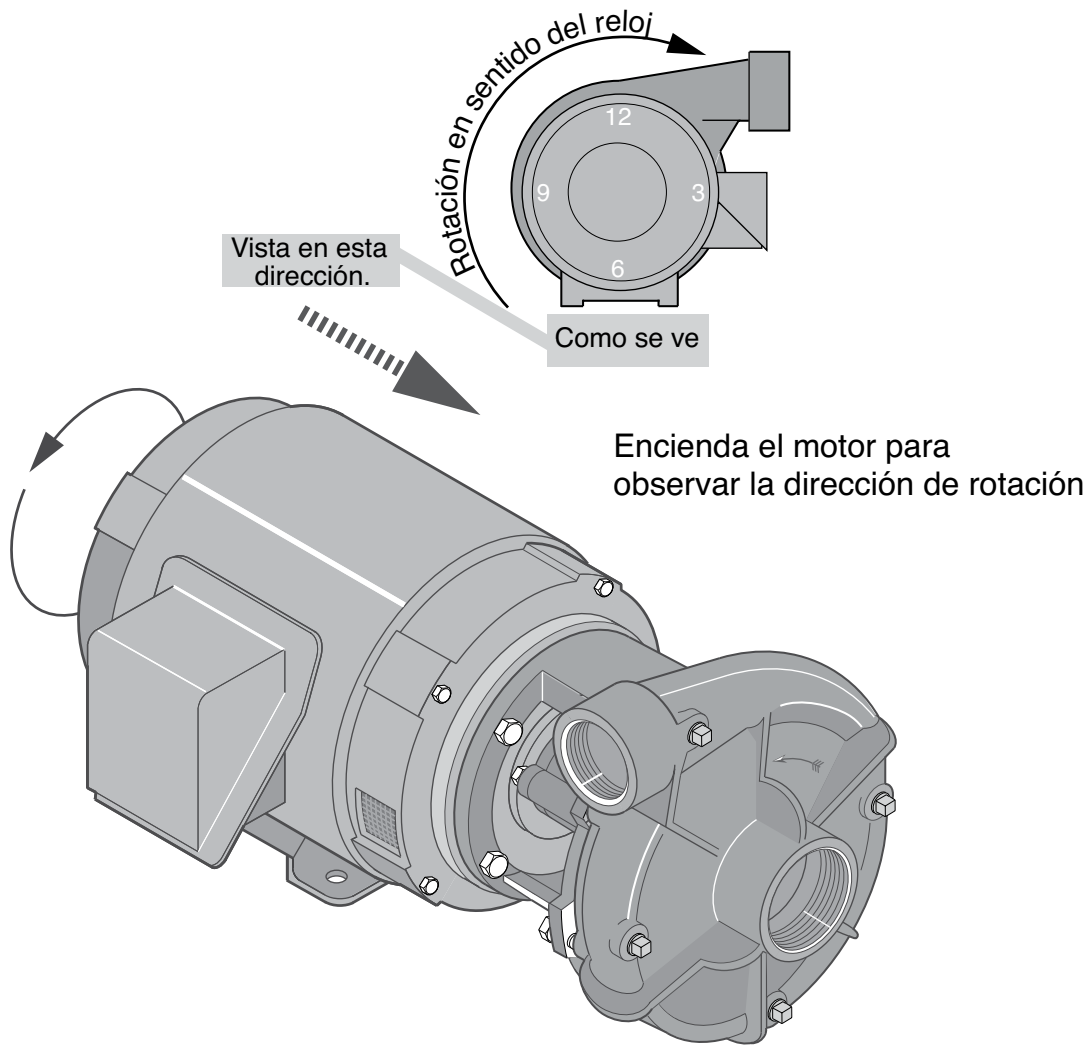
ARRANQUE:

⚠ ADVERTENCIA Nunca opere la bomba en seco. Operar la bomba sin agua la sobrecalentará y dañará las partes internas. Siempre asegure que la bomba esté cebada antes de arrancar.

Cebe la bomba por uno de los siguientes métodos. Conecte la bomba. Abra lentamente la válvula de descarga hasta alcanzar el flujo deseado. Gire el switch "Hand-Off-Auto" a la posición "Auto". La bomba deberá arrancar automáticamente cuando el piloto envíe la señal al motor de arranque.

APAGADO:

La bomba se detendrá automáticamente cuando el piloto corte la energía al motor de arranque. Gire el switch "Hand-Off-Auto" a la posición "Off" si quiere que la bomba deje de funcionar.



Dirección de rotación de la bomba se determina mediante la visualización desde la parte motriz de la bomba y no se visualiza desde el ojo del impulsor parte frontal de la voluta. Una flecha de dirección de rotación se encuentra

AVISO: Ésta bomba rota en sentido de las manecillas del reloj.

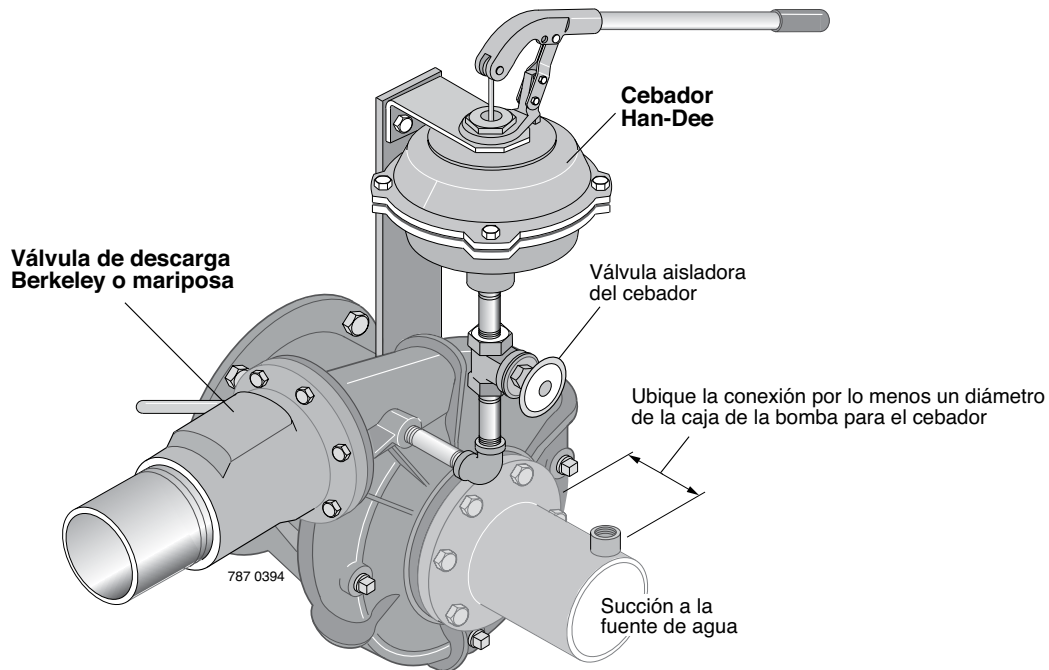
Motores Eléctricos:

Monofásico: Vea la información de cableado en la placa del motor para obtener una rotación apropiada.

Trifásico: Si la bomba rota al revés, invierta cualquiera de los dos cables que vienen de la corriente (L1, L2, L3) hasta conseguir la rotación adecuada. Invierta L1 y L2, o L2 y L3, o L1 y L3.

- Bombas con rotación inversa - Las Bombas Centrífugas podrán bombear líquidos, sin embargo, el flujo y la carga (presión de descarga) serán una fracción del desempeño publicado.

Eliminación



Instalaciones con Succión Positiva

- Abrir ventila (o conector de tubería) en la toma más alta de la caja de la bomba.
- Abrir la válvula de bloqueo en la entrada, permitiendo que el agua llene la bomba completamente y force la salida del aire por la ventila.
- Gire el eje lentamente permitiendo que salga cualquier aire atrapado en el impulsor.
- Cierre la ventila cuando no se perciba aire saliendo del agua.

Instalaciones con succion negativa y valvula de pie.

- Cierre válvula de aire en la descarga.
- Quite el tapón de tubería de la parte más alta de la caja de la bomba.
- Llene completamente la bomba y la tubería de succión con agua.
- Gire el eje lentamente permitiendo que salga cualquier aire atrapado en el impulsor.
- Cuando haya salido todo el aire de la bomba instale el tapón de la tubería. Utilice sellador para juntas, apriete cuando necesario para prevenir fugas.

Instalaciones con succion negativa y bomba de cebado.

- Cierre válvula de aire.
- Operación de Cebado Manual:
 1. Abra válvula de bloqueo del cebador.
 2. Mueva la palanca arriba y abajo para evacuar el aire de la línea de succión. (Vea el Manual de Usuario de cebado manual para el procedimiento adecuado).
 3. Cuando el agua fluya libremente del cebador, cierre la palanca de la válvula de bloqueo. (La caja de la bomba debe estar llena de agua ahora).
- Encienda inmediatamente la bomba.
- Abra lentamente la válvula de mariposa (si la tiene) hasta alcanzar el flujo deseado. (La válvula de Cebado se abrirá automáticamente).

LUBRICACIÓN:

El EXTREMO LÍQUIDO de la bomba **no** requiere lubricación. El sello mecánico se lubrica con el líquido bombeado. ¡No opere en seco!

Los cojinetes del MOTOR están lubricados de fábrica. Lubricar en intervalos consistentes permitirá extender al máximo la vida del cojinete. Vea el Manual del Usuario del motor para una lubricación adecuada e instrucciones de mantenimiento.

REVISION DE DESEMPEÑO:

Verifique periódicamente el desempeño de la bomba. Si este es reducido, vea el cuadro de Resolución de Problemas.

MANTENIMIENTO DE OBSERVACIÓN:

Cuando se estabilice la operación del sistema y bomba, verifique que la bomba funcione adecuadamente. Observe lo siguiente:

VIBRACIÓN: Todas las máquinas que rotan se espera que produzcan vibración, sin embargo, un exceso de la misma puede reducir la vida de la unidad. Si la vibración parece excesiva, detenga la operación, determine la causa y corrija.

RUIDO: Cuando la unidad opere con carga, escuche cuidadosamente si hay sonidos inusuales que puedan indicar que la unidad esté en angustia. Determine la causa y corrija.

TEMPERATURA DE OPERACIÓN: Durante la operación, el calor es disipado de la bomba y el motor. En un periodo de tiempo corto, la superficie del soporte de la bomba estará muy caliente (hasta 150°F), lo cual es normal. Si la temperatura de éste o del motor es excesiva, detenga la operación, determine la causa y corrija. Cojinetes desgastados pueden causar temperaturas excesivas y deben ser reemplazados. La bomba se enfría por medio del agua que fluye en ella, y se mantendrá normalmente a la misma temperatura que el agua bombeada.

SELLO MECÁNICO:

Normalmente no se requiere ajustes o mantenimiento. El sello está contenido en la bomba y se ajusta por sí solo. El sello se enfría y lubrica por el líquido bombeado. Vea la página 44 y 45 para eliminación y reemplazo. ¡No opere en seco!

PROTECCIÓN DE LA BOMBA- CLIMAS FRIOS/ INSTALACIONES CLIMAS HUMEDOS:

DRENAJE DE SISTEMA: Permita que las válvulas de drene vacíen el sistema, incluyendo la caja de la bomba, para prevenir daño por congelación.

REFUGIO: Si es posible, proporcione refugio a la unidad para protegerla del medio ambiente. Permita un espacio adecuado alrededor de la unidad para mantenimiento. Cuando se asegure adecuadamente, una pequeña cantidad de calor mantendrá la temperatura arriba del punto de congelación. Proporcione ventilación adecuada cuando esté operando. Para problemas de climas severos, donde un refugio no sea viable, se podría considerar un gabinete hermético con ventilador para los motores eléctricos.

CONDENSACIÓN: Cuando la temperatura de las partes metálicas esté bajo el punto de rocío y el aire sea húmedo, el agua se condensará en la partes metálicas y puede causar corrosión. En situaciones extremas, se puede considerar un calefactor para elevar la temperatura de la unidad.

Removiendo el sello viejo

1

6821 0413a

Afloje los tornillos y retírelos. Remueva la voluta para exponer el impulsor.

2

6813 0413

Retire el empaque u O-Ring y deseche. Sujete el impulsor y retire el tornillo del impulsor.

3

6814 0413

Instale dos desarmadores grandes o un extractor en el extremo del eje del impulsor poniendo los dedos como se muestra **AVISO: NO** presione en un solo extremo del impulsor! El impulsor se doblara o quebrara. Tire en direcciones opuestas del impulsor para que salga derecho.

4

6815 0413

El sello mecánico del eje saldrá con el platosello. Si el anillo de retención es parte del sello, necesitara reemplazarse.

5

6816 0413SP

Presione la parte estacionaria del sello hacia afuera de la cavidad desde la parte posterior del platosello. Limpie la cavidad del sello.

Asiento giratorio

Resorte

Retenedor del resorte

Sello Estacionario

El procedimiento y las partes pueden variar dependiendo del estilo de la bomba.

Instalando un Sello Nuevo

1

Arandela de carton (incluida)

Cara pulida

No toque, rasque la superficie cerámica.

No toque, rasque la superficie cerámica. NO toque la superficie pulida.

Ponga el platosello en una superficie plana y lisa. Aplique un poco de aceite mineral al O-Ring en el sello estacionario y presione hacia la cavidad. Cubra la cara cerámica con una arandela de cartón y presione utilizando un tubo.

2

No toque, rasque el sello mecánico del extremo del eje.

6818 0413

Reinstale el platosello en el motor teniendo mucho cuidado que no se ralle o quiebre la cara cerámica del sello con el eje.

3

No toque, rasque el sello mecánico del extremo del eje.

6819 0413SP

Aplique un poco de aceite mineral en el interior del anillo de goma y en la parte exterior del casquillo del eje. Deslice asiento giratorio en el eje, la cara pulida primero, hasta que se apriete contra la cara cerámica. Comprima el resorte e instale el anillo retenedor en el casquillo del eje (si lo tiene). Coloque la cuña del impulsor en el cuñero del eje de la bomba. Deslice el impulsor sobre el eje lo mas lejos que sea posible. Limpie cuidadosamente la rosca del eje.

4

6820 0413

Aplique adhesivo no permanente de rosca al tornillo del impulsor. Instale la arandela del impulsor, arandela de presión y tornillo.

5

6821 0413

Instale el empaque y la voluta en el platosello. Utilice un nuevo empaque u O-Ring al reconectar para prevenir fugas (una capa de grasa en el empaque ayudará para mantenimientos futuros) Aplique un sellador para roscas a los tornillos y apriete fuerte.

El procedimiento y las partes pueden variar dependiendo del estilo de la bomba.

ORDENANDO REPUESTOS:

Localice la placa de identificación Berkeley en la bomba; normalmente se encuentra en el soporte del motor. A continuación se muestra la información de la placa. Para asegurarse de recibir las partes correctas, proporcione toda la información de la placa al ordenar. La **FECHA** es lo más importante. Escriba la información de la placa en la plantilla en blanco para futuras referencias ya que las placas tienden a perderse o desgastarse.

Las ilustraciones mostradas muestran los componentes típicos utilizados en una bomba centrífuga con motor eléctrico. Tanto el sello mecánico como los empaques se muestran. Refiérase a estos diagramas cuando ordene repuestos.

SAMPLE ONLY

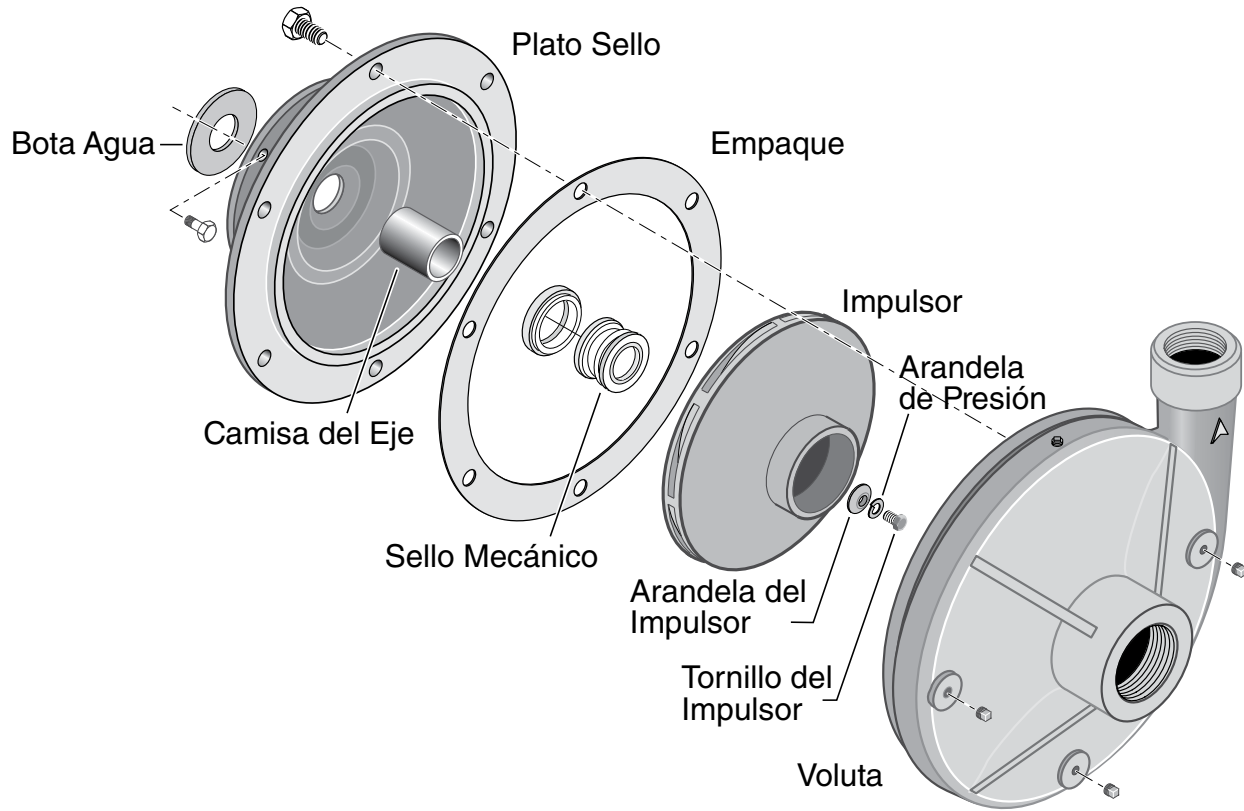
BERKELEY [®]		M15994PNR
Modelo/Model C11131L03	Serie/S.N. 024A13A	
Día de impulsor/Impeller Dia. 7.5"	Fecha/Date DIC - 11	
STA-RITE de MEXICO		Email: infoventas@pentair.com TEL +52(81)8151-6102 Monterrey, N.L., Mexico

6807 0413

BERKELEY [®]		M15994PNR
Modelo/Model	Serie/S.N.	
Día del impulsor/Impeller Dia.	Fecha/Date	
STA-RITE de MEXICO		Email: infoventas@pentair.com TEL +52(81)8151-6102 Monterrey, N.L., Mexico

6808 0413

Escriba la información de la placa aquí.



6822 0413SP

Sello Mecánico

- El motor eléctrico no se muestra.
- El diagrama muestra una bomba accionada por motor con empaques o sello de eje mecánico. Las partes pueden variar ligeramente en algunos modelos.

SÍNTOMA	CAUSA PROBABLE																	
	GRUPO I ELÉCTRICO									GRUPO II MECÁNICO					GRUPO III SISTEMA			
	A	B	C	D	E	F	G	H	I	A	B	C	D	E	F	A	B	C
Bomba funciona, no sale agua										X		X				X	X	
No hay suficiente agua			X	X					X	X	X		X			X	X	
Poca Presión			X	X					X	X	X		X			X	X	
Vibración excesiva									X	X	X			X			X	X
Ruidos extraños										X	X	X		X	X		X	X
Bomba se detiene	X	X	X	X	X	X	X	X										
Sobrecalentamiento		X	X	X					X		X		X	X	X			X

CAUSA	ACCIÓN CORRECTIVA
I. ELÉCTRICO	
A. No hay voltaje en el sistema	Verificar fase a fase en la línea del arrancador. Verificar interruptor o fusibles.
B. No hay voltaje en una fase (Unidades Trifásicas)	Verificar el voltaje en la línea del arrancador. Aislar circuito abierto (interruptor, fusible, conexiones rotas, etc.)
C. Poco voltaje en el motor	La corriente sobre cada línea del motor debe ser $\pm 10\%$ del voltaje nominal mostrado en la placa.
D. Alimentación del motor mal agrupada para voltaje requerido.	Vea el diagrama de alimentación del motor en la placa.
E. Falla de Control	Buscar fallas en el mecanismo de control, Contactor, H-O-A switch, etc.,
F. Switch de sobrecarga eléctrica abierto	Verificar fase a fase en la línea del arrancador.
G. Falla de instalación	Verificar el motor o bobinas con un megaóhmetro.
H. Devanados abiertos	Verificar cada pata con un ohmímetro.
I. Variación de frecuencia	Verificar la frecuencia de la fuente de poder. Debe tener una variación menor al 5% de los rangos de la placa del motor.
II. MECÁNICO	
A. Flujo de la bomba completa o parcialmente obstruido	Localice y elimine la obstrucción. Vea instrucciones de desensamble.
B. Dirección de rotación equivocada	Invierta la rotación del motor trifásico intercambiando alimentaciones. Vea instrucciones del fabricante para invertir motores monofásicos.
C. Bomba no cebada	Vuelva a cebar. Inspeccione el sistema de succión por fugas de aire.
D. Fuga Interna	Verifique impulsor mal ensamble. (Ver instrucciones de Reparación).
E. Partes faltantes	Inspeccionar. Reparar.
III. SISTEMA	
A. La presión requerida por el sistema excede los rangos de la bomba	Compare la presión y flujo del sistema contra la curva de la bomba. Busque válvulas parcial o completamente cerradas en el sistema de descarga. Reduzca los requerimientos de presión del sistema, aumente la capacidad de presión de la bomba.
B. Obstrucción de la tubería de succión	Localice y elimine la obstrucción.
C. La presión requerida por el sistema excede los rangos de la bomba	Compare la presión y flujo del sistema contra la curva de la bomba. Inspeccione el sistema de descarga por rupturas, fugas, válvulas abiertas, etc. Si es necesario, reduzca el flujo cerrando parcialmente válvulas de descarga.

Garantía Limitada

BERKELEY garantiza al comprador original (“Comprador” o “Usted”) la siguiente lista de productos, que estarán libres defectos de materiales y mano de obra durante el Periodo de Garantía mencionado.

Producto	Periodo de Garantía
Sistemas de Agua:	
Productos de Sistemas de Agua — bombas jet, pequeñas bombas centrífugas, bombas sumergibles y accesorios relacionados.	<i>Lo que ocurra primero:</i> 12 meses de la fecha de instalación original o 18 meses de la fecha de fabricación
Tanques Compuestos Pro-Source™	5 años de la fecha de instalación original
Tanques de Presión de Acero Pro-Source™	5 años de la fecha de instalación original
Tanques Epóxicos Pro-Source™	3 años de la fecha de instalación original
Sumideros/Aguas Residuales/Productos de efluentes	12 meses de la fecha de instalación original o 18 meses de la fecha de fabricación
Agricultura/Comercio:	
Centrífugas – bombas horizontales monobloc, armazones, montaje SAE, motorizadas, VMS, SSCX, SSHM, manejo de sólidos, sumergibles para manejo de sólidos	12 meses de la fecha de instalación original o 24 meses de la fecha de fabricación
Turbinas sumergibles, de 6” de diámetro mayores	12 meses de la fecha de instalación original o 24 meses de la fecha de fabricación

Nuestra Garantía Limitada no aplicará a productos, que a nuestro juicio, hayan sido sujetos a negligencias, malas aplicaciones, mala instalación, o mal mantenimiento. Sin perjuicio de lo anterior, operar un motor trifásico en una sola fase a través de un convertidor de fases anula la garantía. Nótese también que los motores trifásicos deben protegerse por relevadores de tres patas, ambientalmente compensados, de disparo rápido con el tamaño recomendado o la garantía se anulará.

Su única opción, y el único deber de BERKELEY, es que BERKELEY reparará o reemplazará productos defectuosos (a criterio de BERKELEY). Usted deberá pagar todos los costos de mano de obra y cargos de envío asociados a ésta garantía y deberá solicitar servicio de garantía a través de su instalador tan pronto se detecte el problema. No se aceptará ningún requerimiento de servicio si se recibe después de expirado el Periodo de Garantía. Ésta garantía es intransferible.

BERKELEY NO SE RESPONSABILIZARÁ DE DAÑOS CONSECUENCIALES, INCIDENTALES O RESULTANTES.

LA GARANTÍA Y EL RESARCIMIENTO DESCRITOS EN ESTA GARANTÍA LIMITADA SON EXCLUSIVOS Y REEMPLAZAN A CUALQUIER OTRA GARANTÍA O RESARCIMIENTO, EXPRESO O IMPLÍCITO. ESTAS GARANTÍAS NO SE EXTENDERÁN MÁS ALLÁ DE LO ESTIPULADO EN ÉSTA GARANTÍA.

Algunos países no permiten la exclusión o limitación de daños incidentales o consecuenciales o limitaciones en la duración expresado en la garantía, por lo tanto las limitaciones o exclusiones que anteceden pueden no aplicarse a Usted. Esta garantía le otorga derechos legales específicos y puede que tenga otros derechos dependiendo de cada estado. Ésta garantía sustituye y reemplaza todas las publicaciones anteriores de garantía.

En los Estados Unidos: BERKELEY, 293 Wright St., Delavan, WI 53115

En Canadá: 269 Trillium Dr., Kitchener, Ontario N2G 4W5

En México: STA-RITE DE MEXICO Monterrey, N.L., Mexico