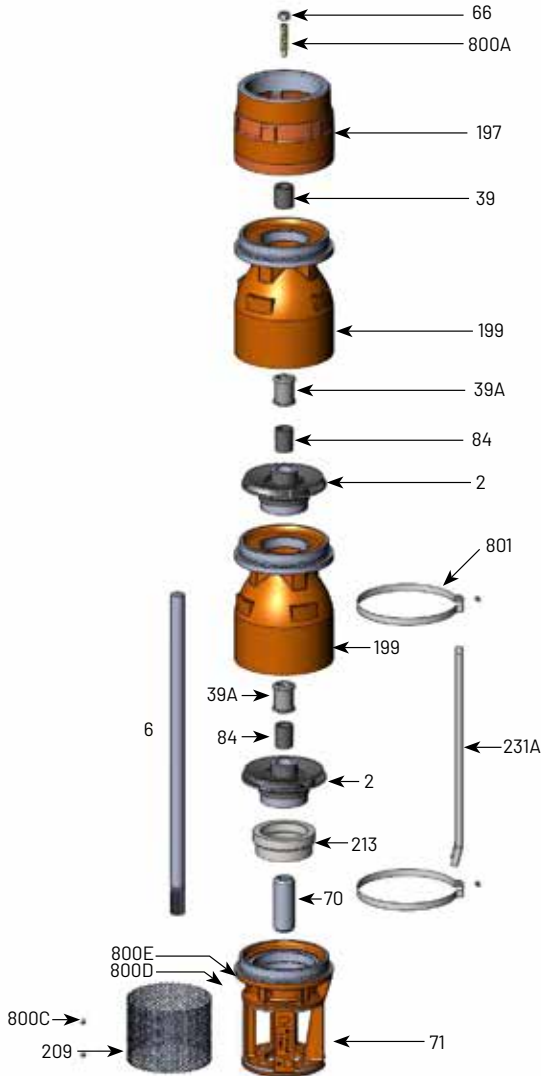




# PENTAIR BERKELEY

## 7TMH SERIES 500 GPM, 60HZ, NPT, 6" MOTOR

Section	ST-7TMH
Page	1.0
Date	June 4, 2018
Supersedes	March 1, 2016



Item Number	Part Number	Description	Required Qty
2	See Table 3	Impeller	1 Per Stage
6	See Table 4	Shaft	1
39	M15886	Vesconite Bearing	1
39A	S13636	Neoprene Bearing	1 Per Stage
66	M15881	Upthrust Nut, 1/2-13 LH	1
70	B86966	6" Motor Coupling	1
71	M16386	7TMH 6" Motor Suction Bracket*	1
84	S05301	1" Collet	1 Per Stage
197	M16387	7TMH discharge 5 x 6 NPT**	1
199	B86792	7TMH-500 Bowl (incl. Neoprene Bearing)	1 Per Stage
209	M16565	Suction Screen	1
213	M16586	Insert 7TMH-500 6" Suction Bracket	1
231A	308666000	Cable Guard, 12' material	1
800A	M15882	Upthrust Screw, 1/2-13 LH	1
800C	M15937	Screen Screw, 8-32 x 3/8 Panhead	2
800D	M10199	Rivet, 3/32	2
800E	M09653	Nameplate	1
801	M15880	7TMH Cable Guard Clamp	2
Not Illustrated	M09970	Tag, Upthrust Adjustment	1
Not Illustrated	B86187	Bolt Kit, 6" Motor	1
Not Illustrated	BE972	Owner's Manual	1

\*Note 1: B86896, includes items 39, 66, 197, 800A  
 \*\*Note 2: B86796 includes 71 and 213

Item Number	Part Number	Description	Required Qty
39A	S13636	Neoprene Bearing	1 Per Stage
	S10708	Bronze Bearing	
199	B86792	7TMH-500 Bowl (incl. Neoprene Bearing)	1 Per Stage
84	S05301	1" Collet	1 Per Stage
2	See Table 3	Impeller	1 Per Stage

Note 3: Bronze bearing may be used in place of the standard Neoprene Bearing.

Item Number	Part Number	Description	Required Qty
2	M16568	7TMH-500 "A" Impeller 5.982"	See Table 4
	M16570	7TMH-500 "B" Impeller 5.457"	
	M16767	7TMH-500 "C" Impeller 5.315"	

TABLE 4 – 60 Hz Staging Requirements Build Table

Series	HP/kW	Stages	Trim			416 SS shaft		Ion-nitride shaft		Shaft Length (in/mm)	Cable Guard Length'	Assembled pump length (motor not included)
			"A"	"B"	"C"	Pump catalog number	416 SS Shaft p/n <sup>5</sup>	Pump catalog number	Ion Nitride Shaft p/n <sup>5</sup>			
7TMH10-500	10/7.5kW	1			1	B86932	M16687	B86932N	M16687N	15.25 in/387.35 mm	11 in/279.4 mm	20.75 in/527.05 mm
7TMH15-500	15/11.2kW	1	1			B86933	M16687	B86933N	M16687N	15.25 in/387.35 mm	11 in/279.4 mm	20.75 in/527.05 mm
7TMH25-500	25/18.6kW	2	1	1		B86935	M16688	B86935N	M16688N	23.25 in/590.55 mm	19 in/482.6 mm	28.75 in/730.25 mm
7TMH30-500	30/22.4kW	2	2			B86936	M16688	B86936N	M16688N	23.25 in/590.55 mm	19 in/482.6 mm	28.75 in/730.25 mm
7TMH40-500	40/29.8kW	3	2	1		B86937	M15919	B86937N	M15950	31.25 in/793.75 mm	27 in/685.8 mm	36.75 in/933.45 mm
7TMH50-500	50/37.3kW	4	2	2		B86938	M16689	B86938N	M16689N	39.25 in/996.95 mm	35 in/889 mm	44.75 in/1136.65 mm
7TMH60-500	60/44.7kW	5	2	2	1	B86939	M16690	B86939N	M16690N	47.25 in/1200.15 mm	42 in/1066.8 mm	52.75 in/1339.85 mm

Note 4: Effective assembled pump diameter with cable guard lying flat against pump is 7.5 inches

Note 5: 6" and 8" pumps use the same shaft and cable guards.

Note 6: Cable guard 308666000 sold in 12' (3.66M) lengths only