



SPLIT CASE PUMPS

2800 SERIES

FM-01-5005 (11-01-2022)

TECHNICAL DATA GUIDE

[pentair.com](https://www.pentair.com)

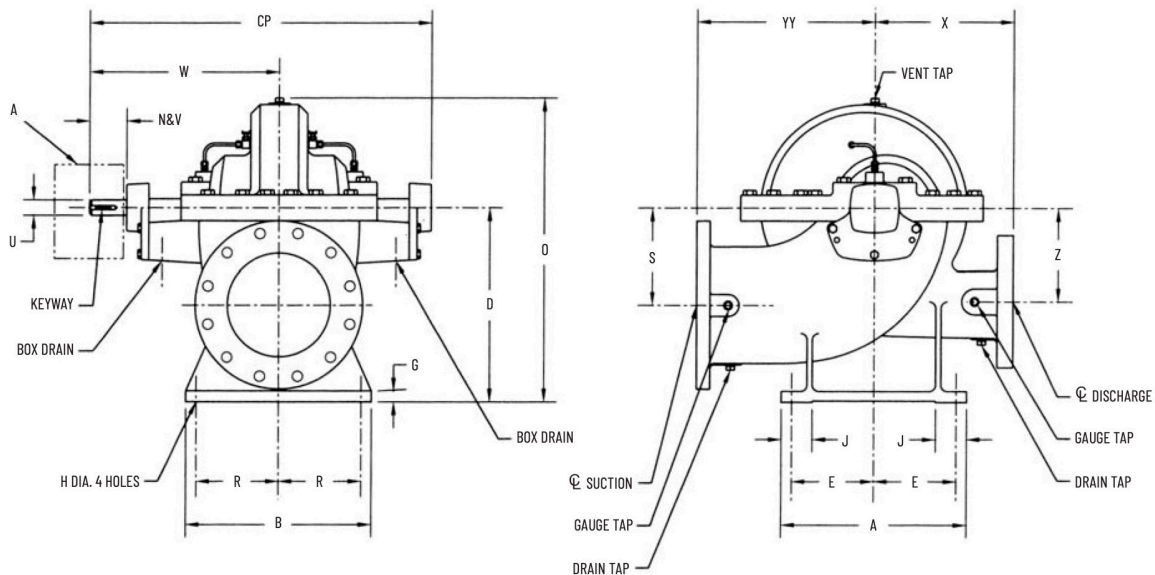
©2022 Pentair. All Rights Reserved.

TABLE OF CONTENTS

TYPICAL SPECIFICATIONS -BASIC PUMP DIMENSTIONS	3
SETTING PLANS	8
2800 HORIZONTAL SPLIT CASE PUMPS DATA	58
2800 VERTICAL SPLIT CASE PUMPS DATA	67
OPTIONAL FITTED PUMPS DATA	68

TYPICAL SPECIFICATIONS

BASIC PUMP DIMENSIONS 2821 & 2822



CLOCKWISE ROTATION SHOWN

PUMP	SUCT	DISCH	A	B	D	E	G	H	J	N&V	O
6" 2821	8	6	18	18	16-1/4	8	1-1/8	7/8	3	3-1/2	25-1/8
8" 2821	10	8	18	18	18-3/4	8	1-1/8	7/8	3	3-1/2	28-1/2
6" 2822	10	6	18	18	18-3/4	8	1-1/8	7/8	3	3-1/2	28-7/8
6" 2822X	6	6	14-1/2	14-1/2	10-1/2	6-1/4	3/4	7/8	2-7/8	3-1/2	18-1/8
8" 2822	10	8	18	18	18-3/4	8	1-1/8	7/8	3	4-3/8	29-1/2
10" 2822	14	10	22	22	24	10	1-1/8	7/8	3	4-3/8	35-7/8

PUMP	R	S	U	W	X	Z	CP	YY	KEYWAY
6" 2821	8	8-1/4	1-1/2	18-7/8	12-3/4	7-3/4	34-1/4	16	3/8 X 3/16 X 2-3/8
8" 2821	8	9-3/8	1-1/2	18-7/8	13-3/4	8-5/8	34-5/16	19	3/8 X 3/16 X 2-3/8
6" 2822	8	9-3/8	1-1/2	18-7/8	13-1/2	9	33-3/16	17-1/4	3/8 X 3/16 X 2-3/8
6" 2822X	6-1/4	7	1-1/2	15-3/4	15	7	28-1/4	12	1/4 X 1/8 X 2-1/2
8" 2822	8	9-3/8	2-1/8	20-1/8	14-3/8	9-3/8	35-7/8	19	1/2 X 1/4 X 3-1/2
10" 2822	10	12	2-1/8	21-3/8	17	10-3/8	39-3/8	22	1/2 X 1/4 X 3-1/2

NOTES

All flanges are standard 125# ANSI drilling. Optional 250# ANSI flanges are available.

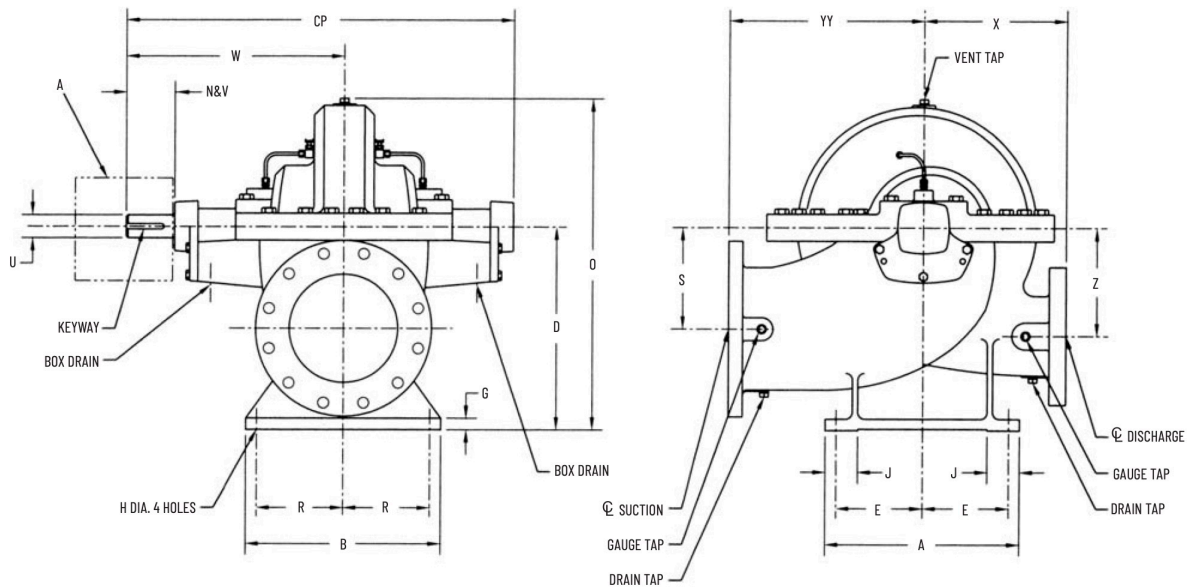
All dimensions are in inches unless noted.

Rotation is always viewed from the driver end. For C.C.W. rotation, suction and discharge positions will be on opposite sides of that shown above and dimensions in the end view will be reversed.

Not for construction, installation, or application purposes unless certified. Dimensions shown may vary due to normal manufacturing tolerances.

TYPICAL SPECIFICATIONS

BASIC PUMP DIMENSIONS 2823



CLOCKWISE ROTATION SHOWN

PUMP	SUCT	DISCH	A	B	D	E	G	H	J	N&V	O
3" 2823	5	3	14-1/2	14-1/2	12	6-1/4	1	7/8	2-7/8	3-1/4	21-1/8
4" 2823	6	4	18	18	13-3/4	8	1-1/8	7/8	3	3-1/2	23-5/8
5" 2823	8	5	18	18	16-1/4	8	1-1/8	7/8	3	3-1/2	27-1/16
6" 2823	10	6	18	18	18-3/4	8	1-1/8	7/8	3	4-3/8	30-1/16
8" 2823	12	8	22	22	21-1/2	10	1-1/8	7/8	3	4-3/8	33-5/8
10" 2823	14	10	22	22	24	10	1-1/8	7/8	3	6	37-1/2

PUMP	R	S	U	W	X	Z	CP	YY	KEYWAY
3" 2823	6-1/4	6	1-1/8	16-1/4	12	7-3/4	29-5/16	14-5/8	1/4 X 1/8 X 2-1/2
4" 2823	8	6-7/8	1-1/2	17-5/8	13	8-3/8	31-11/16	15-1/4	3/8 X 3/16 X 2-3/8
5" 2823	8	8-1/4	1-1/2	17-5/8	13-1/2	9-3/4	31-11/16	17-1/4	3/8 X 3/16 X 2-3/8
6" 2823	8	9-3/8	2-1/8	20-1/8	13-1/4	10	35-7/8	18	1/2 X 1/4 X 3-1/2
8" 2823	10	10-3/4	2-1/8	20-1/2	16	10-3/4	36-5/8	22	1/2 X 1/4 X 3-1/2
10" 2823	10	12	2-1/2	23	16	11-7/8	40	25	5/8 X 5/16 X 4

NOTES

All flanges are standard 125# ANSI drilling. Optional 250# ANSI flanges are available.

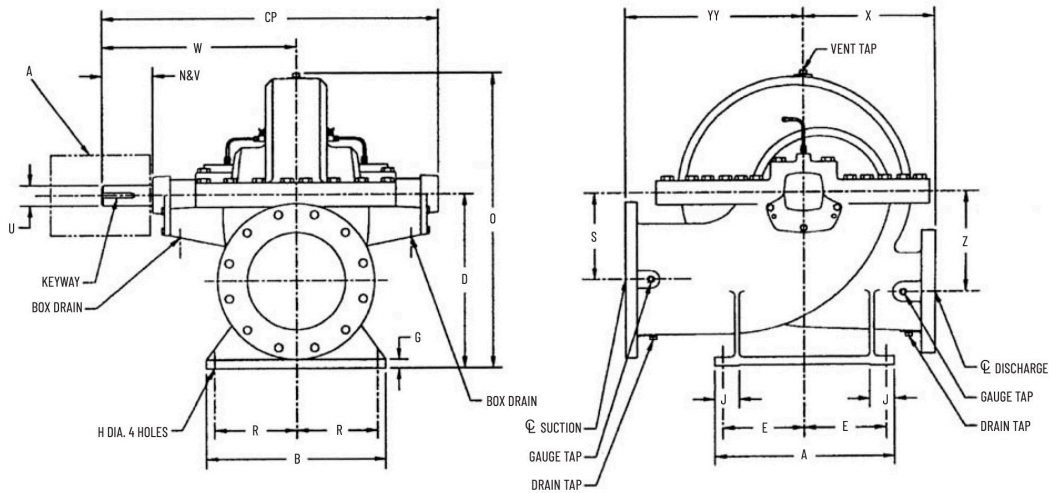
All dimensions are in inches unless noted.

Rotation is always viewed from the driver end. For C.C.W. rotation, suction and discharge positions will be on opposite sides of that shown above and dimensions in the end view will be reversed.

Not for construction, installation, or application purposes unless certified. Dimensions shown may vary due to normal manufacturing tolerances.

TYPICAL SPECIFICATIONS

BASIC PUMP DIMENSIONS 2824 & 2825



CLOCKWISE ROTATION SHOWN

PUMP	SUCT	DISCH	A	B	D	E	G	H	J	N&V	O
5" 2824	8	5	18	18	16-1/4	8	1-1/8	7/8	3	4-3/8	28-3/8
6" 2824	10	6	22	22	18-3/4	10	1-1/8	7/8	3	4-3/8	32
8" 2824	12	8	22	22	21-1/2	10	1-1/8	7/8	3	6	36
10" 2824	14	10	22	22	24	10	1-1/8	7/8	3	6	39-1/4
6" 2825	10	6	22	22	18-3/4	10	1-1/8	7/8	3	6	33-5/16
10" 2825A	16	10	22	22	24	10	1-1/4	7/8	3	6	39-3/4
10" 2825C	12	10	22	22	21-1/2	10	1-1/8	7/8	3	6	36

PUMP	R	S	U	W	X	Z	CP	YY	KEYWAY
5"2824	8	8-1/8	2-1/8	18-7/8	15	10-5/8	33-3/8	18-3/4	1/2 X 1/4 X 3-1/2
6"2824	10	9-3/8	2-1/8	20-1/8	16	11-3/4	35-7/8	20	1/2 X 1/4 X 3-1/2
8"2824	10	10-3/4	2-1/2	23-3/4	16	12-1/2	41-1/2	22	5/8X5/16X4
10"2824	10	12	2-1/2	26-1/4	18	14-7/8	46-1/2	28	5/8X5/16X4
6"2825	10	9-3/8	2-1/2	22-5/8	18	12-1/8	39-1/4	22	5/8X5/16X4
10"2825A	10	13	2-3/4	25-1/2	23	14-1/4	44-1/2	25	5/8X5/16X5
10"2825C	10	10-3/4	2-1/2	23-3/4	18	12-1/2	41-1/2	22	5/8X5/16 X4

NOTES

All flanges are standard 125# ANSI drilling. Optional 250# ANSI flanges are available.

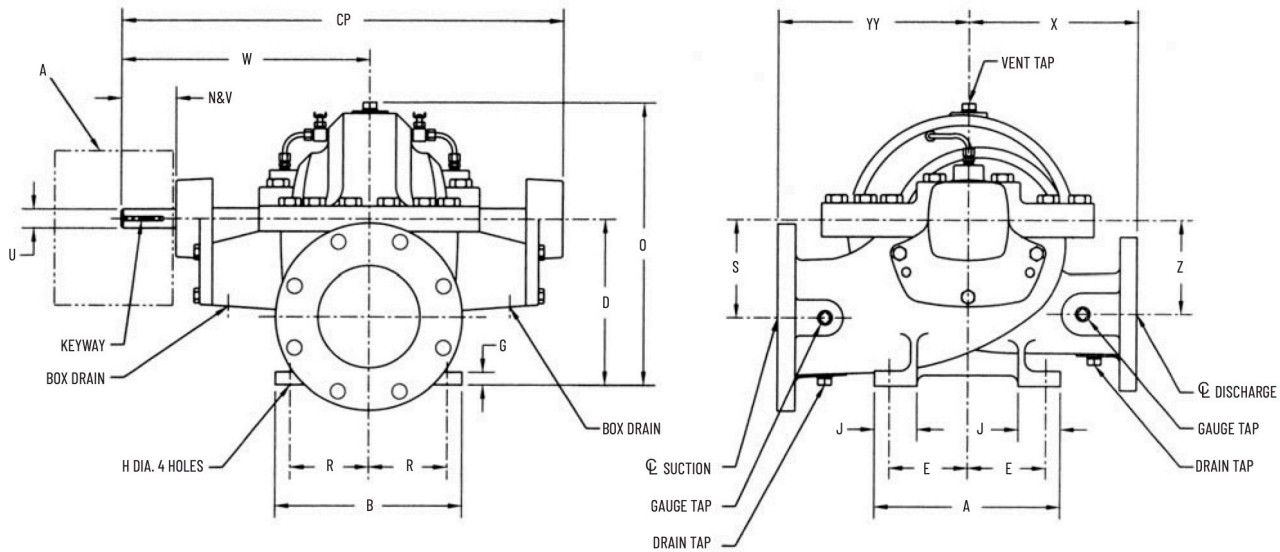
All dimensions are in inches unless noted.

Rotation is always viewed from the driver end. For C.C.W. rotation, suction and discharge positions will be on opposite sides of that shown above and dimensions in the end view will be reversed.

Not for construction, installation, or application purposes unless certified. Dimensions shown may vary due to normal manufacturing tolerances.

TYPICAL SPECIFICATIONS

BASIC PUMP DIMENSIONS 2873



CLOCKWISE ROTATION SHOWN

PUMP	SUCT	DISCH	A	B	D	E	G	H	J	N&V	O
2" 2873	4	2	11	11	9-3/4	4-5/8	7/8	5/8	2-1/2	3-1/4	15-1/2
4" 2873	6	4	11	11	9-3/4	4-5/8	3/4	5/8	2-1/2	3-1/4	16-1/8

PUMP	R	S	U	W	X	Z	CP	YY	KEYWAY
2"2873	4-5/8	4-7/8	15/16	14	9	5-1/8	24-13/16	10	1/4 X 1/8 X 1-1/2
4" 2873	4-5/8	5-3/4	1-1/8	14-5/8	10	5-1/2	25-15/16	11-1/4	1/4 X 1/8 X 2-1/2

NOTES

All flanges are standard 125# ANSI drilling. Optional 250# ANSI flanges are available.

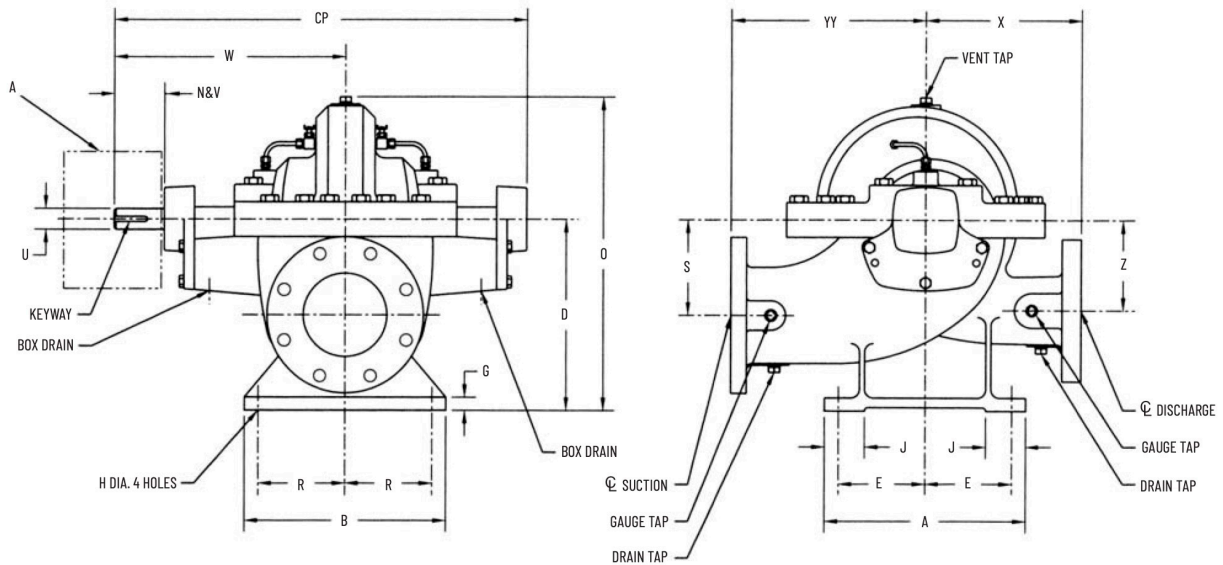
All dimensions are in inches unless noted.

Rotation is always viewed from the driver end. For C.C.W. rotation, suction and discharge positions will be on opposite sides of that shown above and dimensions in the end view will be reversed.

Not for construction, installation, or application purposes unless certified. Dimensions shown may vary due to normal manufacturing tolerances.

TYPICAL SPECIFICATIONS

BASIC PUMP DIMENSIONS 2874 & 2876



CLOCKWISE ROTATION SHOWN

PUMP	SUCT	DISCH	A	B	D	E	G	H	J	N&V	O
4"2876	6	4	14-1/2	14-1/2	13-3/4	6-1/4	1	7/8	2-7/8	3-1/2	22

PUMP	R	S	U	W	X	Z	CP	YY	KEYWAY
4"2876	6-1/4	6-7/8	1-1/2	16-5/8	11-1/4	7-1/8	29-11/16	14	3/8 X 3/16 X 2-3/8

NOTES

All flanges are standard 125# ANSI drilling. Optional 250# ANSI flanges are available.

All dimensions are in inches unless noted.

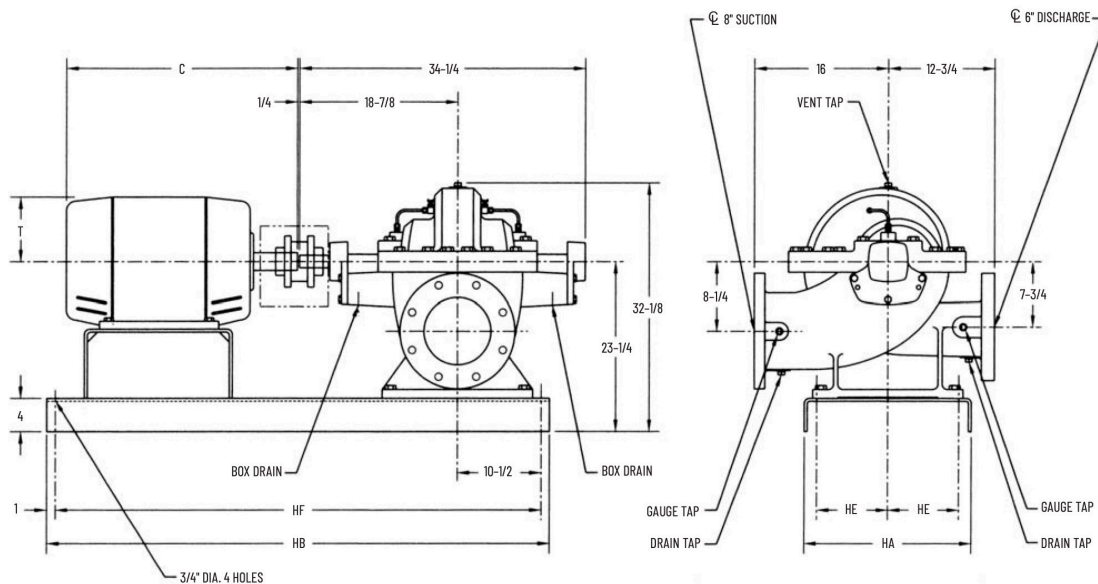
Rotation is always viewed from the driver end. For C.C.W. rotation, suction and discharge positions will be on opposite sides of that shown above and dimensions in the end view will be reversed.

Bases are designed to be completely filled with grout.

Not for construction, installation, or application purposes unless certified. Dimensions shown may vary due to normal manufacturing tolerances.

TYPICAL SPECIFICATIONS

SETTING PLAN 6"2821A BENT FORM BASE



CLOCKWISE ROTATION SHOWN

UNIT DIMENSIONS						
MOTOR FRAME SIZE	BASE				MOTOR	
	HA	HB	HE	HF	C	T
213T	20	54	8-1/2	52	16	5-1/8
215T	20	54	8-1/2	52	17-1/2	5-1/8
254T	20	54	8-1/2	52	20-5/8	6-3/8
256T	20	54	8-1/2	52	22-3/8	6-3/8
284TS	20	60	8-1/2	58	22-1/8	7
284T	20	60	8-1/2	58	23-1/2	7

UNIT DIMENSIONS						
MOTOR FRAME SIZE	BASE				MOTOR	
	HA	HB	HE	HF	C	T
286TS	20	60	8-1/2	58	23-5/8	7
286T	20	60	8-1/2	58	25	7
324TS	20	60	8-1/2	58	24-5/8	8
324T	20	60	8-1/2	58	26-1/8	8
326TS	20	60	8-1/2	58	26-1/8	8
326T	20	60	8-1/2	58	27-5/8	8

NOTES

All flanges are standard 125# ANSI drilling. Optional 250# ANSI flanges are available.

All dimensions are in inches unless noted.

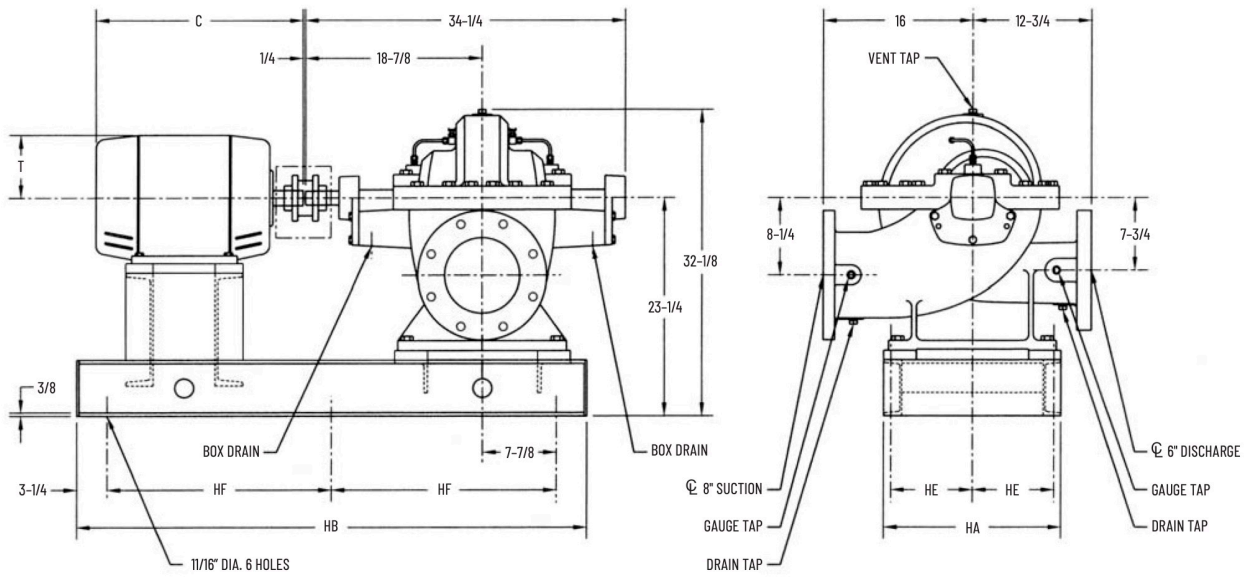
Rotation is always viewed from the driver end. For C.C.W. rotation, suction and discharge positions will be on opposite sides of that shown above and dimensions in the end view will be reversed.

Bases are designed to be completely filled with grout.

Not for construction, installation, or application purposes unless certified. Dimensions shown may vary due to normal manufacturing tolerances.

TYPICAL SPECIFICATIONS

SETTING PLAN 6"2821A OPTIONAL STRUCTURAL BASE



CLOCKWISE ROTATION SHOWN

UNIT DIMENSIONS

MOTOR FRAME SIZE	BASE				MOTOR	
	HA	HB	HE	HF	C	T
213T	19	48-1/2	8-3/4	21	16	5-1/8
215T	19	48-1/2	8-3/4	21	17-1/2	5-1/8
254T	19	54-1/2	8-3/4	24	20-5/8	6-3/8
256T	19	54-1/2	8-3/4	24	22-3/8	6-3/8
284TS	19	54-1/2	8-3/4	24	22-1/8	7
284T	19	54-1/2	8-3/4	24	23-1/2	7

UNIT DIMENSIONS

MOTOR FRAME SIZE	BASE				MOTOR	
	HA	HB	HE	HF	C	T
286TS	19	54-1/2	8-3/4	24	23-5/8	7
286T	19	54-1/2	8-3/4	24	25	7
324TS	19	54-1/2	8-3/4	24	24-5/8	8
324T	19	54-1/2	8-3/4	24	26-1/8	8
326TS	19	54-1/2	8-3/4	24	26-1/8	8
326T	19	60-1/2	8-3/4	24	27-5/8	8

NOTES

All flanges are standard 125# ANSI drilling. Optional 250# ANSI flanges are available.

All dimensions are in inches unless noted.

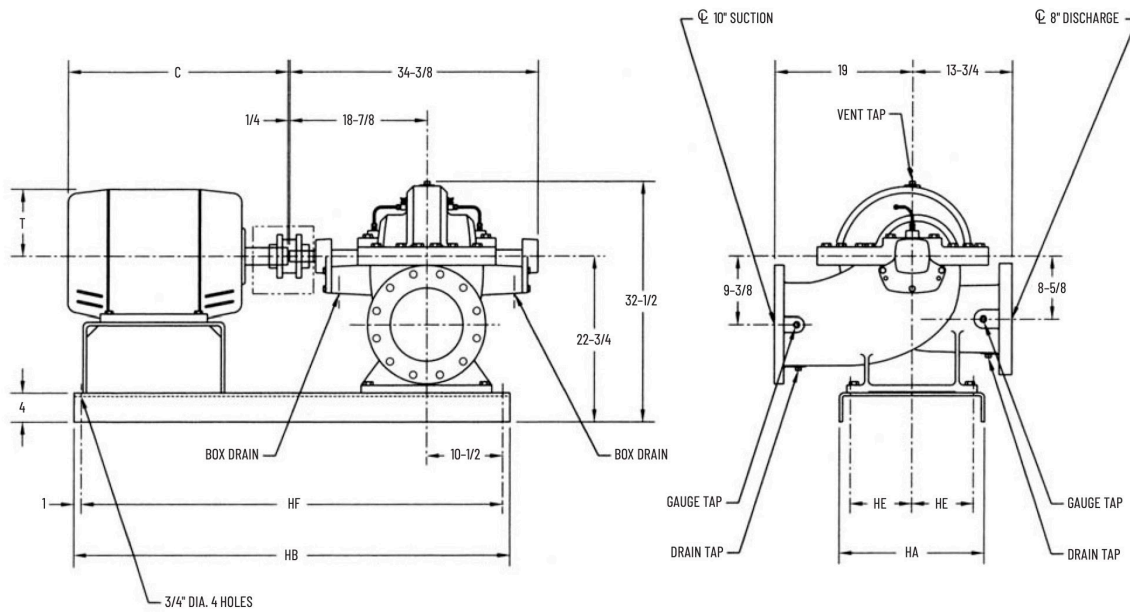
Rotation is always viewed from the driver end. For C.C.W. rotation, suction and discharge positions will be on opposite sides of that shown above and dimensions in the end view will be reversed.

Bases are designed to be completely filled with grout.

Not for construction, installation, or application purposes unless certified. Dimensions shown may vary due to normal manufacturing tolerances.

TYPICAL SPECIFICATIONS

SETTING PLAN 8" 2821A BENT FORM BASE



CLOCKWISE ROTATION SHOWN

UNIT DIMENSIONS						
MOTOR FRAME SIZE	BASE				MOTOR	
	HA	HB	HE	HF	C	T
215T	20	54	8-1/2	52	17-1/2	5-1/8
254T	20	54	8-1/2	52	20-5/8	6-3/8
256T	20	54	8-1/2	52	22-3/8	6-3/8
284TS	20	60	8-1/2	58	22-1/8	7
284T	20	60	8-1/2	58	23-1/2	7
286TS	20	60	8-1/2	58	23-5/8	7
286T	20	60	8-1/2	58	25	7
324TS	20	60	8-1/2	58	24-5/8	8

UNIT DIMENSIONS						
MOTOR FRAME SIZE	BASE				MOTOR	
	HA	HB	HE	HF	C	T
324T	20	60	8-1/2	58	26-1/8	8
326TS	20	60	8-1/2	58	26-1/8	8
326T	20	60	8-1/2	58	27-5/8	8
364TS	20	60	8-1/2	58	26-5/8	9-1/4
364T	20	60	8-1/2	58	28-3/4	9-1/4
365TS	20	60	8-1/2	58	27-5/8	9-1/4
365T	20	60	8-1/2	58	29-3/4	9-1/4

NOTES

All flanges are standard 125# ANSI drilling. Optional 250# ANSI flanges are available.

All dimensions are in inches unless noted.

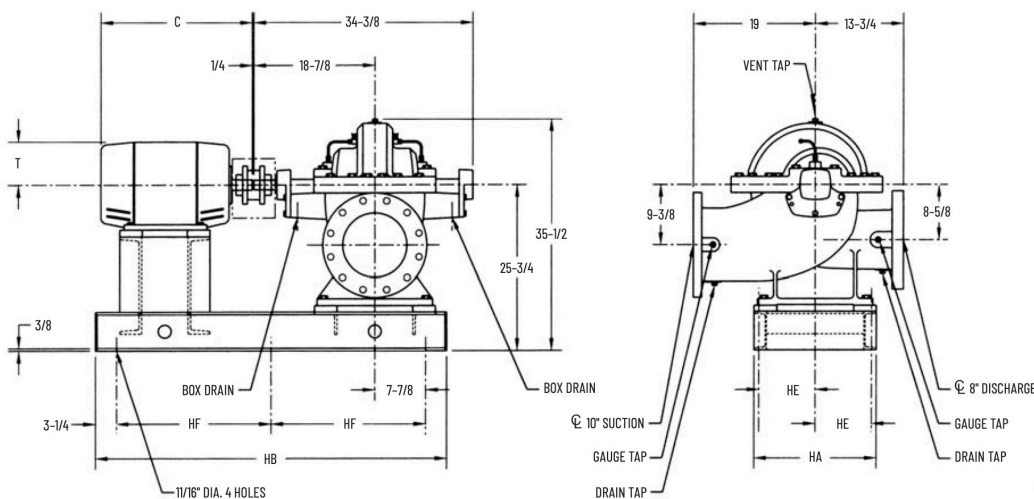
Rotation is always viewed from the driver end. For C.C.W. rotation, suction and discharge positions will be on opposite sides of that shown above and dimensions in the end view will be reversed.

Bases are designed to be completely filled with grout.

Not for construction, installation, or application purposes unless certified. Dimensions shown may vary due to normal manufacturing tolerances.

TYPICAL SPECIFICATIONS

SETTING PLAN 8" 2821A OPTIONAL STRUCTURAL BASE



CLOCKWISE ROTATION SHOWN

UNIT DIMENSIONS

MOTOR FRAME SIZE	BASE				MOTOR	
	HA	HB	HE	HF	C	T
215T	19	48-1/2	8-3/4	21	17-1/2	5-1/8
254T	19	54-1/2	8-3/4	24	20-5/8	6-3/8
256T	19	54-1/2	8-3/4	24	22-3/8	6-3/8
284TS	19	54-1/2	8-3/4	24	22-1/8	7
284T	19	54-1/2	8-3/4	24	23-1/2	7
286TS	19	54-1/2	8-3/4	24	23-5/8	7
286T	19	54-1/2	8-3/4	24	25	7
324TS	19	54-1/2	8-3/4	24	24-5/8	8

UNIT DIMENSIONS

MOTOR FRAME SIZE	BASE				MOTOR	
	HA	HB	HE	HF	C	T
324T	19	54-1/2	8-3/4	24	26-1/8	8
326TS	19	54-1/2	8-3/4	24	26-1/8	8
326T	19	60-1/2	8-3/4	27	27-5/8	8
364TS	25	54-1/2	11-3/4	24	26-5/8	9-1/4
364T	25	60-1/2	11-3/4	27	28-3/4	9-1/4
365TS	25	60-1/2	11-3/4	27	27-5/8	9-1/4
365T	25	60-1/2	11-3/4	27	29-3/4	9-1/4

NOTES

All flanges are standard 125# ANSI drilling. Optional 250# ANSI flanges are available.

All dimensions are in inches unless noted.

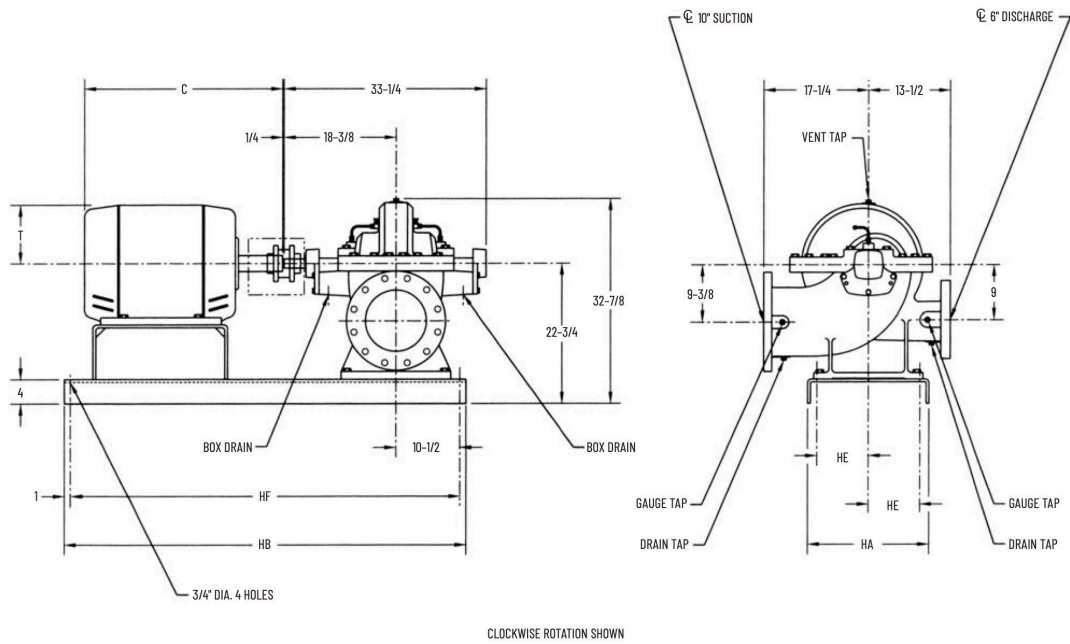
Rotation is always viewed from the driver end. For C.C.W. rotation, suction and discharge positions will be on opposite sides of that shown above and dimensions in the end view will be reversed.

Bases are designed to be completely filled with grout.

Not for construction, installation, or application purposes unless certified. Dimensions shown may vary due to normal manufacturing tolerances.

TYPICAL SPECIFICATIONS

SETTING PLAN 6" 2822A BENT FORM BASE



UNIT DIMENSIONS						
MOTOR FRAME SIZE	BASE				MOTOR	
	HA	HB	HE	HF	C	T
254T	20	54	8-1/2	52	20-5/8	6-3/8
256T	20	54	8-1/2	52	22-3/8	6-3/8
284TS	20	60	8-1/2	58	22-1/8	7
284T	20	60	8-1/2	58	23-1/2	7
286TS	20	60	8-1/2	58	23-5/8	7
286T	20	60	8-1/2	58	25	7
324TS	20	60	8-1/2	58	24-5/8	8
324T	20	60	8-1/2	58	26-1/8	8

UNIT DIMENSIONS						
MOTOR FRAME SIZE	BASE				MOTOR	
	HA	HB	HE	HF	C	T
326TS	20	60	8-1/2	58	26-1/8	8
326T	20	60	8-1/2	58	27-5/8	8
364TS	20	60	8-1/2	58	26-5/8	9-1/4
364T	20	60	8-1/2	58	28-3/4	9-1/4
365TS	20	60	8-1/2	58	27-5/8	9-1/4
365T	20	60	8-1/2	58	29-3/4	9-1/4
404TS	24	66	10-1/2	64	29-5/8	10-1/4
404T	24	66	10-1/2	64	32-5/8	10-1/4

NOTES

All flanges are standard 125# ANSI drilling. Optional 250# ANSI flanges are available.

All dimensions are in inches unless noted.

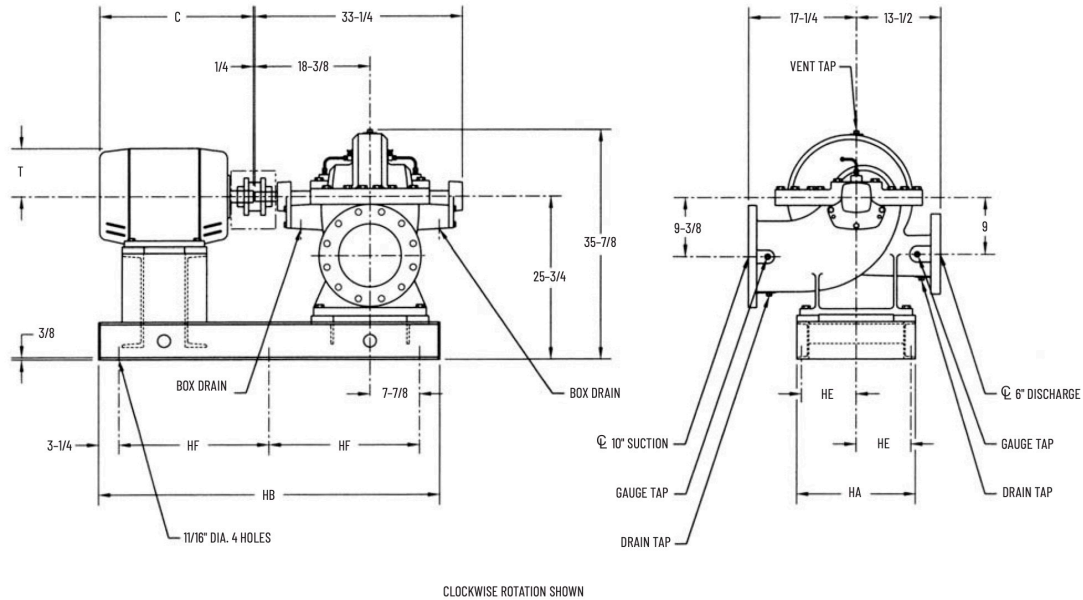
Rotation is always viewed from the driver end. For C.C.W. rotation, suction and discharge positions will be on opposite sides of that shown above and dimensions in the end view will be reversed.

Bases are designed to be completely filled with grout.

Not for construction, installation, or application purposes unless certified. Dimensions shown may vary due to normal manufacturing tolerances.

TYPICAL SPECIFICATIONS

SETTING PLAN 6" 2822A OPTIONAL STRUCTURAL BASE



UNIT DIMENSIONS						
MOTOR FRAME SIZE	BASE				MOTOR	
	HA	HB	HE	HF	C	T
254T	19	54-1/2	8-3/4	24	20-5/8	6-3/8
256T	19	54-1/2	8-3/4	24	22-3/8	6-3/8
284TS	19	54-1/2	8-3/4	24	22-1/8	7
284T	19	54-1/2	8-3/4	24	23-1/2	7
286TS	19	54-1/2	8-3/4	24	23-5/8	7
286T	19	54-1/2	8-3/4	24	25	7
324TS	19	54-1/2	8-3/4	24	24-5/8	8
324T	19	54-1/2	8-3/4	24	26-1/8	8

UNIT DIMENSIONS						
MOTOR FRAME SIZE	BASE				MOTOR	
	HA	HB	HE	HF	C	T
326TS	19	54-1/2	8-3/4	24	26-1/8	8
326T	19	60-1/2	8-3/4	27	27-5/8	8
364TS	25	54-1/2	11-3/4	24	26-5/8	9-1/4
364T	25	54-1/2	11-3/4	24	28-3/4	9-1/4
365TS	25	54-1/2	11-3/4	24	27-5/8	9-1/4
365T	25	60-1/2	11-3/4	27	29-3/4	9-1/4
404TS	25	60-1/2	11-3/4	27	29-5/8	10-1/4
404T	25	60-1/2	11-3/4	27	32-5/8	10-1/4

NOTES

All flanges are standard 125# ANSI drilling. Optional 250# ANSI flanges are available.

All dimensions are in inches unless noted.

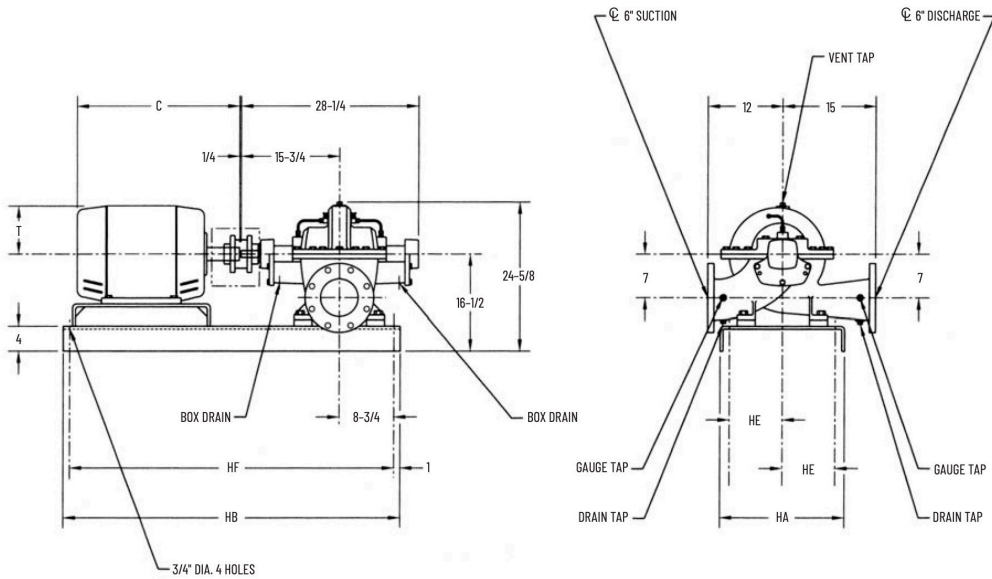
Rotation is always viewed from the driver end. For C.C.W. rotation, suction and discharge positions will be on opposite sides of that shown above and dimensions in the end view will be reversed.

Bases are designed to be completely filled with grout.

Not for construction, installation, or application purposes unless certified. Dimensions shown may vary due to normal manufacturing tolerances.

TYPICAL SPECIFICATIONS

SETTING PLAN 6" 2822X BENT FORM BASE



CLOCKWISE ROTATION SHOWN

UNIT DIMENSIONS						
MOTOR FRAME SIZE	BASE				MOTOR	
	HA	HB	HE	HF	C	T
254T	20	54	8-1/2	52	20-5/8	6-3/8
256T	20	54	8-1/2	52	22-3/8	6-3/8
284TS	20	54	8-1/2	52	22-1/8	7
284T	20	54	8-1/2	52	23-1/2	7

UNIT DIMENSIONS						
MOTOR FRAME SIZE	BASE				MOTOR	
	HA	HB	HE	HF	C	T
286TS	20	54	8-1/2	52	23-5/8	7
286T	20	54	8-1/2	52	25	7
324TS	20	54	8-1/2	52	24-5/8	8
324T	20	54	8-1/2	52	26-1/8	8

NOTES

All flanges are standard 125# ANSI drilling. Optional 250# ANSI flanges are available.

All dimensions are in inches unless noted.

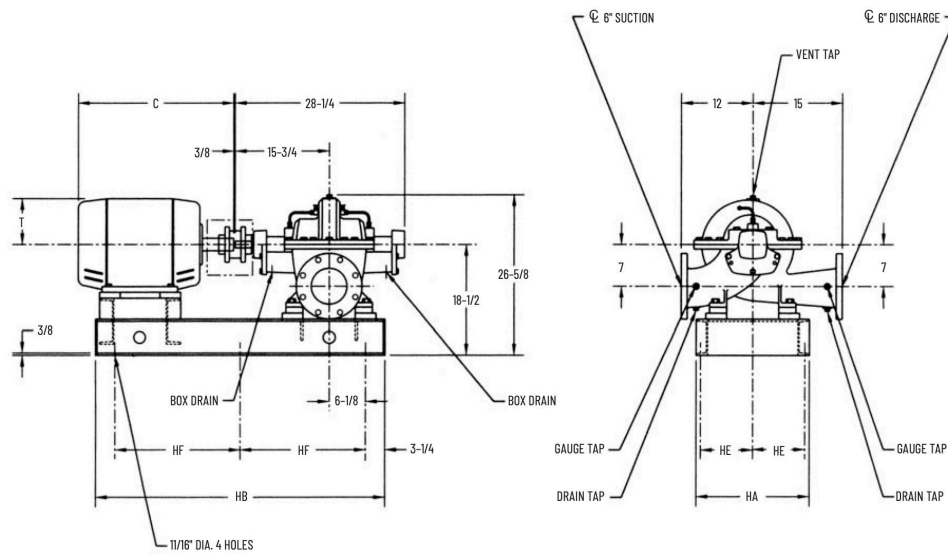
Rotation is always viewed from the driver end. For C.C.W. rotation, suction and discharge positions will be on opposite sides of that shown above and dimensions in the end view will be reversed.

Bases are designed to be completely filled with grout.

Not for construction, installation, or application purposes unless certified. Dimensions shown may vary due to normal manufacturing tolerances.

TYPICAL SPECIFICATIONS

SETTING PLAN 6" 2822X OPTIONAL STRUCTURAL BASE



CLOCKWISE ROTATION SHOWN

UNIT DIMENSIONS						
MOTOR FRAME SIZE	BASE				MOTOR	
	HA	HB	HE	HF	C	T
254T	19	48-1/2	8-3/4	21	20-5/8	6-3/8
256T	19	48-1/2	8-3/4	21	22-3/8	6-3/8
284TS	19	48-1/2	8-3/4	21	22-1/8	7
284T	19	48-1/2	8-3/4	21	23-1/2	7

UNIT DIMENSIONS						
MOTOR FRAME SIZE	BASE				MOTOR	
	HA	HB	HE	HF	C	T
286TS	19	48-1/2	8-3/4	21	23-5/8	7
286T	19	54-1/2	8-3/4	24	25	7
324TS	19	54-1/2	8-3/4	24	24-5/8	8
324T	19	54-1/2	8-3/4	24	26-1/8	8

NOTES

All flanges are standard 125# ANSI drilling. Optional 250# ANSI flanges are available.

All dimensions are in inches unless noted.

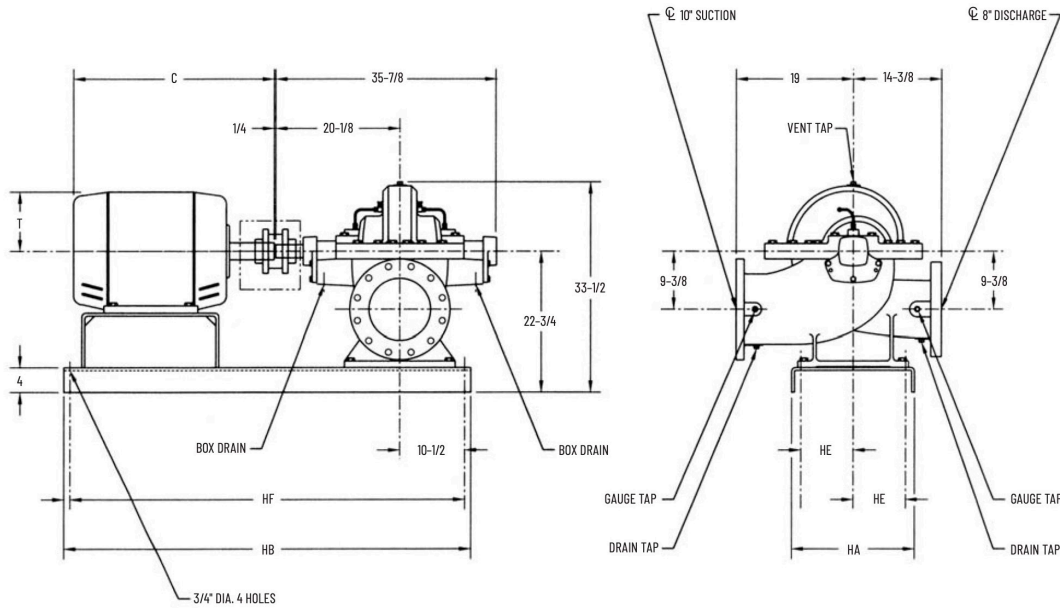
Rotation is always viewed from the driver end. For C.C.W. rotation, suction and discharge positions will be on opposite sides of that shown above and dimensions in the end view will be reversed.

Bases are designed to be completely filled with grout.

Not for construction, installation, or application purposes unless certified. Dimensions shown may vary due to normal manufacturing tolerances.

TYPICAL SPECIFICATIONS

SETTING PLAN 8" 2822A BENT FORM BASE



CLOCKWISE ROTATION SHOWN

UNIT DIMENSIONS						
MOTOR FRAME SIZE	BASE				MOTOR	
	HA	HB	HE	HF	C	T
256T	20	54	8-1/2	52	22-3/8	6-3/8
284TS	20	60	8-1/2	58	22-1/8	7
284T	20	60	8-1/2	58	23-1/2	7
286TS	20	60	8-1/2	58	23-5/8	7
286T	20	60	8-1/2	58	25	7
324TS	20	60	8-1/2	58	24-5/8	8
324T	20	60	8-1/2	58	26-1/8	8
326TS	20	60	8-1/2	58	26-1/8	8
326T	20	60	8-1/2	58	27-5/8	8

UNIT DIMENSIONS						
MOTOR FRAME SIZE	BASE				MOTOR	
	HA	HB	HE	HF	C	T
364TS	20	60	8-1/2	58	26-5/8	9-1/4
364T	20	60	8-1/2	58	28-3/4	9-1/4
365TS	20	60	8-1/2	58	27-5/8	9-1/4
365T	20	60	8-1/2	58	29-3/4	9-1/4
404TS	24	66	10-1/2	64	29-5/8	10-1/4
404T	24	66	10-1/2	64	32-5/8	10-1/4
405TS	24	66	10-1/2	64	31-1/8	10-1/4
405T	24	66	10-1/2	64	34-1/8	10-1/4

NOTES

All flanges are standard 125# ANSI drilling. Optional 250# ANSI flanges are available.

All dimensions are in inches unless noted.

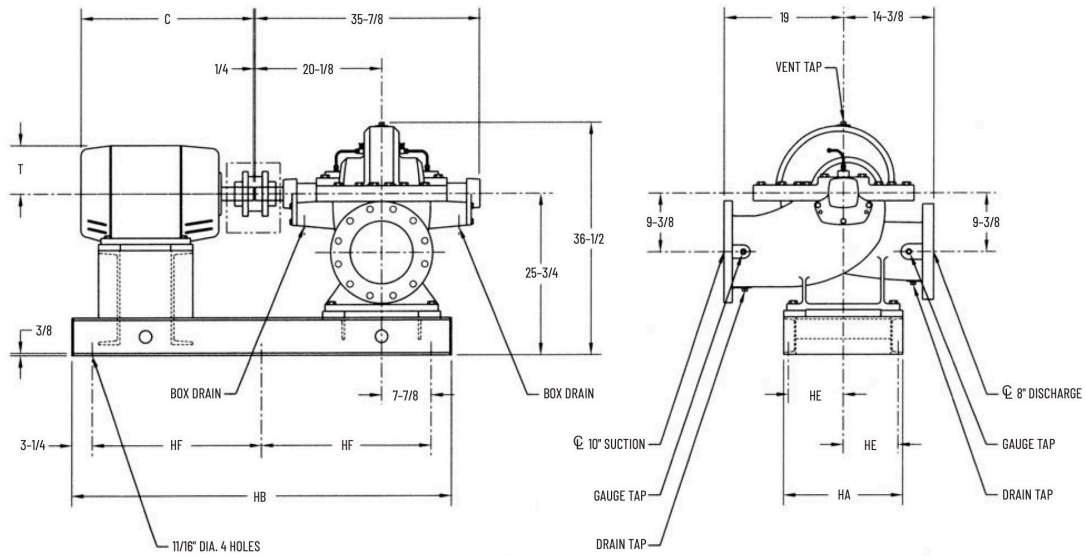
Rotation is always viewed from the driver end. For C.C.W. rotation, suction and discharge positions will be on opposite sides of that shown above and dimensions in the end view will be reversed.

Bases are designed to be completely filled with grout.

Not for construction, installation, or application purposes unless certified. Dimensions shown may vary due to normal manufacturing tolerances.

TYPICAL SPECIFICATIONS

SETTING PLAN 8" 2822A OPTIONAL STRUCTURAL BASE



CLOCKWISE ROTATION SHOWN

MOTOR FRAME SIZE	UNIT DIMENSIONS					
	BASE				MOTOR	
	HA	HB	HE	HF	C	T
256T	19	54-1/2	8-3/4	24	22-3/8	6-3/8
284TS	19	54-1/2	8-3/4	24	22-1/8	7
284T	19	54-1/2	8-3/4	24	23-1/2	7
286TS	19	54-1/2	8-3/4	24	23-5/8	7
286T	19	54-1/2	8-3/4	24	25	7
324TS	19	54-1/2	8-3/4	24	24-5/8	8
324T	19	60-1/2	8-3/4	27	26-1/8	8
326TS	19	60-1/2	8-3/4	27	26-1/8	8
326T	19	60-1/2	8-3/4	27	27-5/8	8

MOTOR FRAME SIZE	UNIT DIMENSIONS					
	BASE				MOTOR	
	HA	HB	HE	HF	C	T
364TS	25	60-1/2	11-3/4	27	26-5/8	9-1/4
364T	25	60-1/2	11-3/4	27	28-3/4	9-1/4
365TS	25	60-1/2	11-3/4	27	27-5/8	9-1/4
365T	25	60-1/2	11-3/4	27	29-3/4	9-1/4
404TS	25	60-1/2	11-3/4	27	29-5/8	10-1/4
404T	25	60-1/2	11-3/4	27	32-5/8	10-1/4
405TS	25	60-1/2	11-3/4	27	31-1/8	10-1/4
405T	25	66-1/2	11-3/4	27	34-1/8	10-1/4

NOTES

All flanges are standard 125# ANSI drilling. Optional 250# ANSI flanges are available.

All dimensions are in inches unless noted.

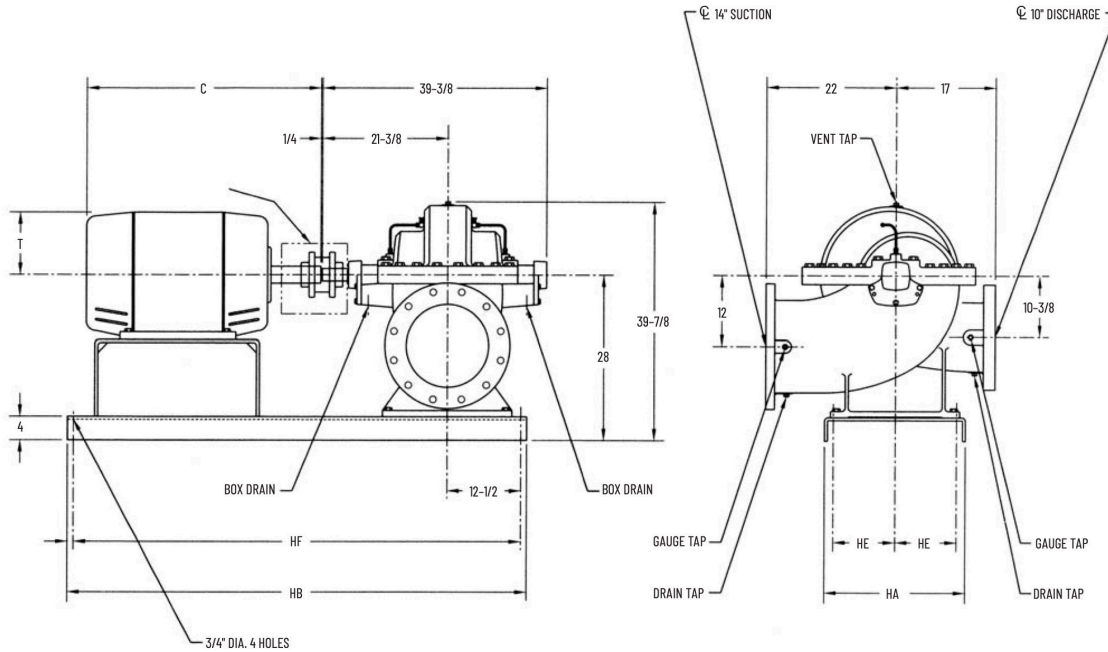
Rotation is always viewed from the driver end. For C.C.W. rotation, suction and discharge positions will be on opposite sides of that shown above and dimensions in the end view will be reversed.

Bases are designed to be completely filled with grout.

Not for construction, installation, or application purposes unless certified. Dimensions shown may vary due to normal manufacturing tolerances.

TYPICAL SPECIFICATIONS

SETTING PLAN 10" 2822A BENT FORM BASE



CLOCKWISE ROTATION SHOWN

UNIT DIMENSIONS						
MOTOR FRAME SIZE	BASE				MOTOR	
	HA	HB	HE	HF	C	T
284TS	24	66	10-1/2	64	22-1/8	7
284T	24	66	10-1/2	64	23-1/2	7
286TS	24	66	10-1/2	64	23-5/8	7
286T	24	66	10-1/2	64	25	7
324TS	24	66	10-1/2	64	24-5/8	8
324T	24	66	10-1/2	64	26-1/8	8
326TS	24	66	10-1/2	64	26-1/8	8
326T	24	66	10-1/2	64	27-5/8	8
364TS	24	66	10-1/2	64	26-5/8	9-1/4
364T	24	66	10-1/2	64	28-3/4	9-1/4

UNIT DIMENSIONS						
MOTOR FRAME SIZE	BASE				MOTOR	
	HA	HB	HE	HF	C	T
365TS	24	66	10-1/2	64	27-5/8	9-1/4
365T	24	66	10-1/2	64	29-3/4	9-1/4
404TS	24	78	10-1/2	76	29-5/8	10-1/4
404T	24	78	10-1/2	76	32-5/8	10-1/4
405TS	24	78	10-1/2	76	31-1/8	10-1/4
405T	24	78	10-1/2	76	34-1/8	10-1/4
444TS	24	78	10-1/2	76	37-1/8	11-1/4
444T	24	78	10-1/2	76	37-7/8	11-1/4
445TS	24	78	10-1/2	76	36-1/8	11-1/4
445T	24	78	10-1/2	76	39-7/8	11-1/4

NOTES

All flanges are standard 125# ANSI drilling. Optional 250# ANSI flanges are available.

All dimensions are in inches unless noted.

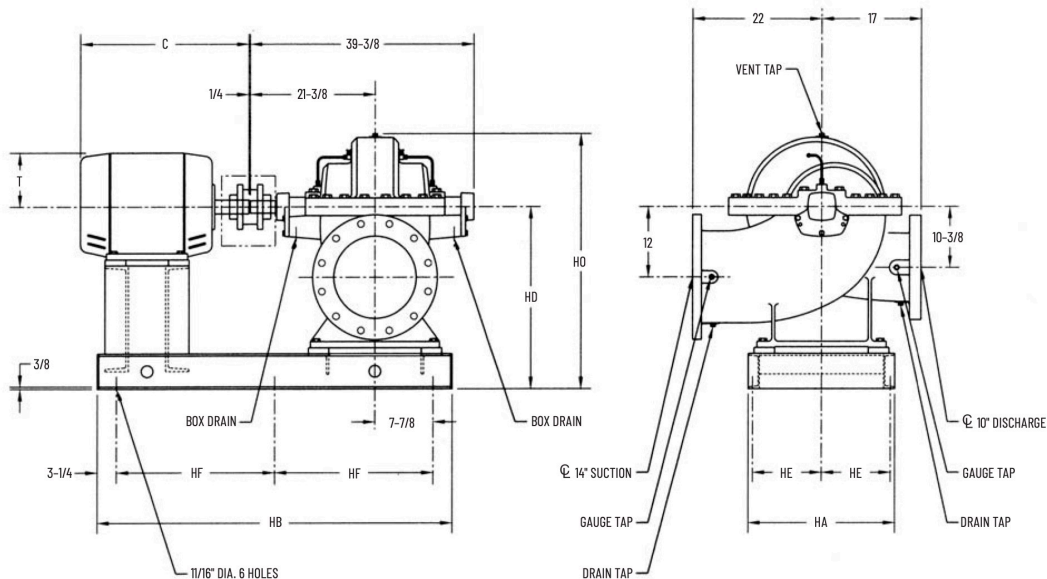
Rotation is always viewed from the driver end. For C.C.W. rotation, suction and discharge positions will be on opposite sides of that shown above and dimensions in the end view will be reversed.

Bases are designed to be completely filled with grout.

Not for construction, installation, or application purposes unless certified. Dimensions shown may vary due to normal manufacturing tolerances.

TYPICAL SPECIFICATIONS

SETTING PLAN 10" 2822A OPTIONAL STRUCTURAL BASE



CLOCKWISE ROTATION SHOWN

UNIT DIMENSIONS

MOTOR FRAME SIZE	BASE						MOTOR	
	HA	HB	HD	HE	HF	HO	C	T
284TS	25	60-1/2	31	11-3/4	27	42-7/8	22-1/8	7
284T	25	60-1/2	31	11-3/4	27	42-7/8	23-1/2	7
286TS	25	60-1/2	31	11-3/4	27	42-7/8	23-5/8	7
286T	25	60-1/2	31	11-3/4	27	42-7/8	25	7
324TS	25	60-1/2	31	11-3/4	27	42-7/8	24-5/8	8
324T	25	60-1/2	31	11-3/4	27	42-7/8	26-1/8	8
326TS	25	60-1/2	31	11-3/4	27	42-7/8	26-1/8	8
326T	25	60-1/2	31	11-3/4	27	42-7/8	27-5/8	8
364TS	25	60-1/2	31	11-3/4	27	42-7/8	26-5/8	9-1/4
364T	25	60-1/2	31	11-3/4	27	42-7/8	28-3/4	9-1/4

UNIT DIMENSIONS

MOTOR FRAME SIZE	BASE						MOTOR	
	HA	HB	HD	HE	HF	HO	C	T
365TS	25	60-1/2	31	11-3/4	27	42-7/8	27-5/8	9-1/4
365T	25	66-1/2	31	11-3/4	27	42-7/8	29-3/4	9-1/4
404TS	25	66-1/2	31	11-3/4	30	42-7/8	29-5/8	10-1/4
404T	25	66-1/2	31	11-3/4	30	42-7/8	32-5/8	10-1/4
405TS	25	66-1/2	31	11-3/4	30	42-7/8	31-1/8	10-1/4
405T	25	66-1/2	31	11-3/4	30	42-7/8	34-1/8	10-1/4
444TS	25	66-1/2	31	11-3/4	30	42-7/8	37-1/8	11-1/4
444T	25-3/4	72-1/2	33	12	33	44-7/8	37-7/8	11-1/4
445TS	25	66-1/2	31	11-3/4	30	42-7/8	36-1/8	11-1/4
445T	25-3/4	72-1/2	33	12	33	44-7/8	39-7/8	11-1/4

NOTES

All flanges are standard 125# ANSI drilling. Optional 250# ANSI flanges are available.

All dimensions are in inches unless noted.

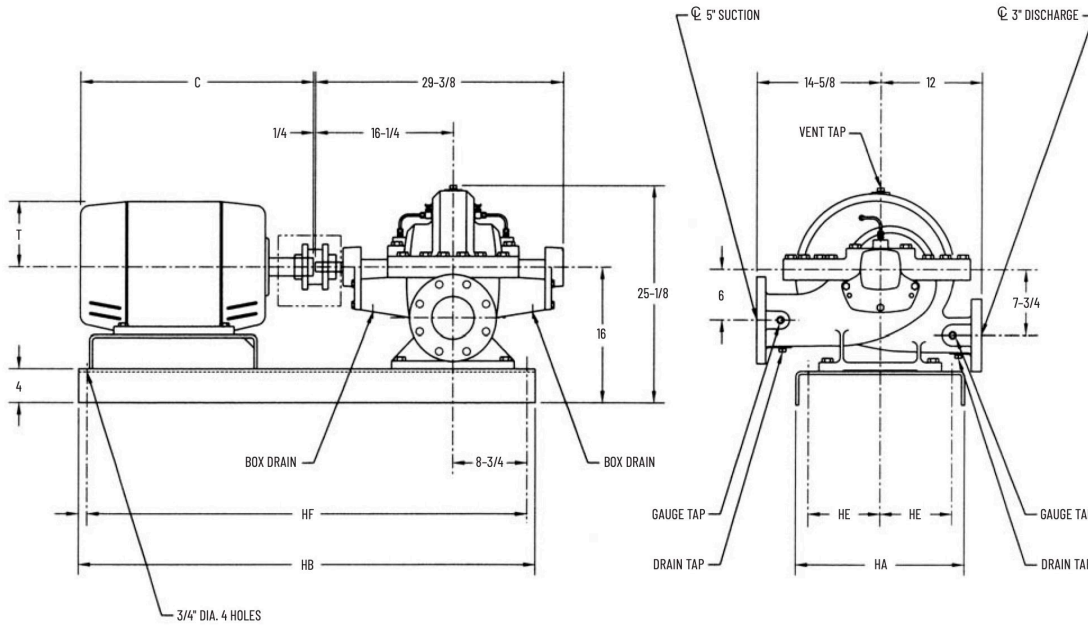
Rotation is always viewed from the driver end. For C.C.W. rotation, suction and discharge positions will be on opposite sides of that shown above and dimensions in the end view will be reversed.

Bases are designed to be completely filled with grout.

Not for construction, installation, or application purposes unless certified. Dimensions shown may vary due to normal manufacturing tolerances.

TYPICAL SPECIFICATIONS

SETTING PLAN 3" 2823A BENT FORM BASE



CLOCKWISE ROTATION SHOWN

UNIT DIMENSIONS						
MOTOR FRAME SIZE	BASE				MOTOR	
	HA	HB	HE	HF	C	T
215T	16	48	6-1/2	46	17-1/2	5-1/8
254T	20	54	8-1/2	52	20-5/8	6-3/8
256T	20	54	8-1/2	52	22-3/8	6-3/8
284TS	20	54	8-1/2	52	22-1/8	7
284T	20	54	8-1/2	52	23-1/2	7
286TS	20	54	8-1/2	52	23-5/8	7

UNIT DIMENSIONS						
MOTOR FRAME SIZE	BASE				MOTOR	
	HA	HB	HE	HF	C	T
286T	20	54	8-1/2	52	25	7
324TS	20	54	8-1/2	52	24-5/8	8
324T	20	54	8-1/2	52	26-1/8	8
326TS	20	54	8-1/2	52	26-1/8	8
326T	20	54	8-1/2	52	27-5/8	8

NOTES

All flanges are standard 125# ANSI drilling. Optional 250# ANSI flanges are available.

All dimensions are in inches unless noted.

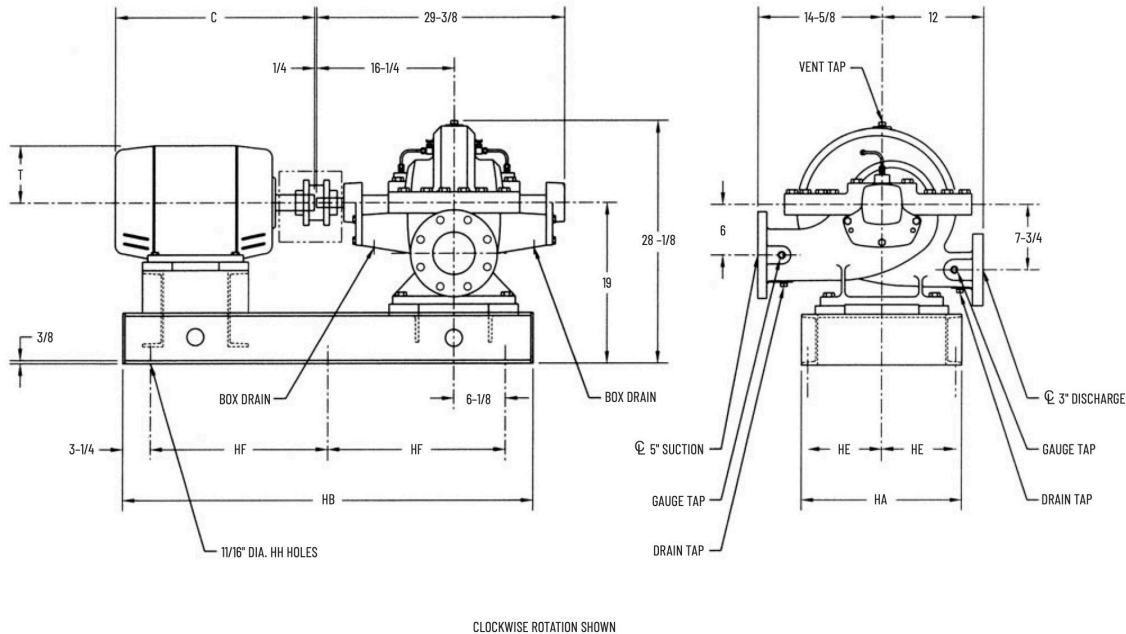
Rotation is always viewed from the driver end. For C.C.W. rotation, suction and discharge positions will be on opposite sides of that shown above and dimensions in the end view will be reversed.

Bases are designed to be completely filled with grout.

Not for construction, installation, or application purposes unless certified. Dimensions shown may vary due to normal manufacturing tolerances.

TYPICAL SPECIFICATIONS

SETTING PLAN 3" 2823A OPTIONAL STRUCTURAL BASE



UNIT DIMENSIONS							
MOTOR FRAME SIZE	BASE					MOTOR	
	HA	HB	HE	HF	HH	C	T
215T	19	48-1/2	8-3/4	36	4	17-1/2	5-1/8
254T	19	48-1/2	8-3/4	21	6	20-5/8	6-3/8
256T	19	48-1/2	8-3/4	21	6	22-3/8	6-3/8
284TS	19	48-1/2	8-3/4	21	6	22-1/8	7
284T	19	48-1/2	8-3/4	21	6	23-1/2	7
286TS	19	48-1/2	8-3/4	21	6	23-5/8	7

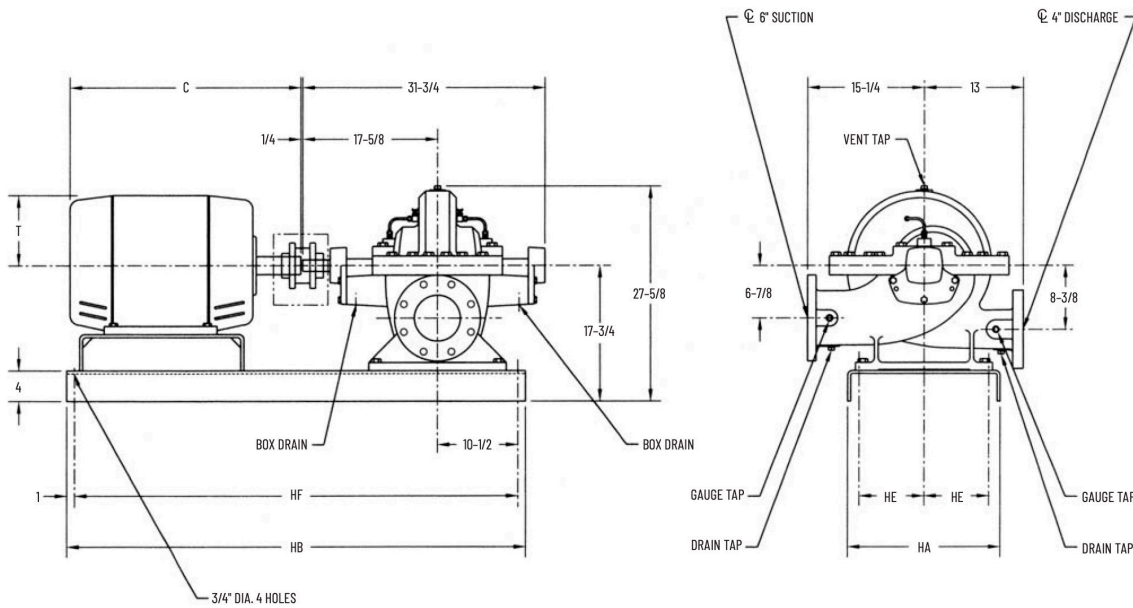
UNIT DIMENSIONS							
MOTOR FRAME SIZE	BASE					MOTOR	
	HA	HB	HE	HF	HH	C	T
286T	19	54-1/2	8-3/4	24	6	25	7
324TS	19	48-1/2	8-3/4	21	6	24-5/8	8
324T	19	54-1/2	8-3/4	24	6	26-1/8	8
326TS	19	54-1/2	8-3/4	24	6	26-1/8	8
326T	19	54-1/2	8-3/4	24	6	27-5/8	8

NOTES

- All flanges are standard 125# ANSI drilling. Optional 250# ANSI flanges are available.
- All dimensions are in inches unless noted.
- Rotation is always viewed from the driver end. For C.C.W. rotation, suction and discharge positions will be on opposite sides of that shown above and dimensions in the end view will be reversed.
- Bases are designed to be completely filled with grout.
- Only one HF space is used (215T).
- Not for construction, installation, or application purposes unless certified. Dimensions shown may vary due to normal manufacturing tolerances.

TYPICAL SPECIFICATIONS

SETTING PLAN 4" 2823C BENT FORM BASE



CLOCKWISE ROTATION SHOWN

UNIT DIMENSIONS						
MOTOR FRAME SIZE	BASE				MOTOR	
	HA	HB	HE	HF	C	T
254T	20	54	8-1/2	52	20-5/8	6-3/8
256T	20	54	8-1/2	52	22-3/8	6-3/8
284TS	20	54	8-1/2	52	22-1/8	7
284T	20	54	8-1/2	52	23-1/2	7
286TS	20	54	8-1/2	52	23-5/8	7
286T	20	54	8-1/2	52	25	7
324TS	20	60	8-1/2	58	24-5/8	8

UNIT DIMENSIONS						
MOTOR FRAME SIZE	BASE				MOTOR	
	HA	HB	HE	HF	C	T
324T	20	60	8-1/2	58	26-1/8	8
326TS	20	60	8-1/2	58	26-1/8	8
326T	20	60	8-1/2	58	27-5/8	8
364TS	20	60	8-1/2	58	26-5/8	9-1/4
364T	20	60	8-1/2	58	28-3/4	9-1/4
365TS	20	60	8-1/2	58	27-5/8	9-1/4
365T	20	60	8-1/2	58	29-3/4	9-1/4

NOTES

All flanges are standard 125# ANSI drilling. Optional 250# ANSI flanges are available.

All dimensions are in inches unless noted.

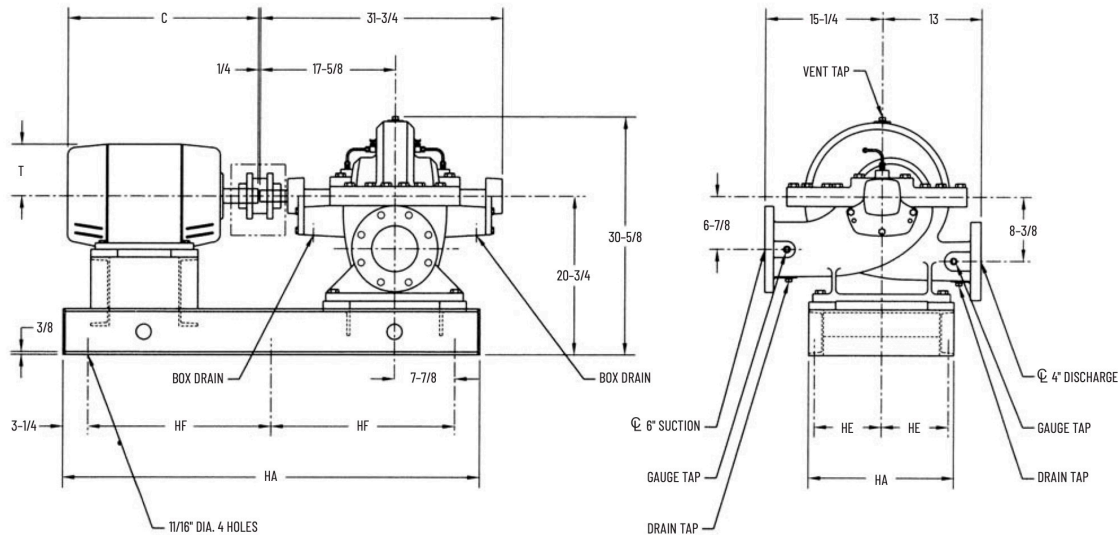
Rotation is always viewed from the driver end. For C.C.W. rotation, suction and discharge positions will be on opposite sides of that shown above and dimensions in the end view will be reversed.

Bases are designed to be completely filled with grout.

Not for construction, installation, or application purposes unless certified. Dimensions shown may vary due to normal manufacturing tolerances.

TYPICAL SPECIFICATIONS

SETTING PLAN 4" 2823C OPTIONAL STRUCTURAL BASE



CLOCKWISE ROTATION SHOWN

UNIT DIMENSIONS						
MOTOR FRAME SIZE	BASE				MOTOR	
	HA	HB	HE	HF	C	T
254T	19	48-1/2	8-3/4	21	20-5/8	6-3/8
256T	19	54-1/2	8-3/4	24	22-3/8	6-3/8
284TS	19	54-1/2	8-3/4	24	22-1/8	7
284T	19	54-1/2	8-3/4	24	23-1/2	7
286TS	19	54-1/2	8-3/4	24	23-5/8	7
286T	19	54-1/2	8-3/4	24	25	7
324TS	19	54-1/2	8-3/4	24	24-5/8	8

UNIT DIMENSIONS						
MOTOR FRAME SIZE	BASE				MOTOR	
	HA	HB	HE	HF	C	T
324T	19	54-1/2	8-3/4	24	26-1/8	8
326TS	19	54-1/2	8-3/4	24	26-1/8	8
326T	19	60-1/2	8-3/4	27	27-5/8	8
364TS	25	54-1/2	11-3/4	24	26-5/8	9-1/4
364T	25	60-1/2	11-3/4	27	28-3/4	9-1/4
365TS	25	54-1/2	11-3/4	24	27-5/8	9-1/4
365T	25	60-1/2	11-3/4	27	29-3/4	9-1/4

NOTES

All flanges are standard 125# ANSI drilling. Optional 250# ANSI flanges are available.

All dimensions are in inches unless noted.

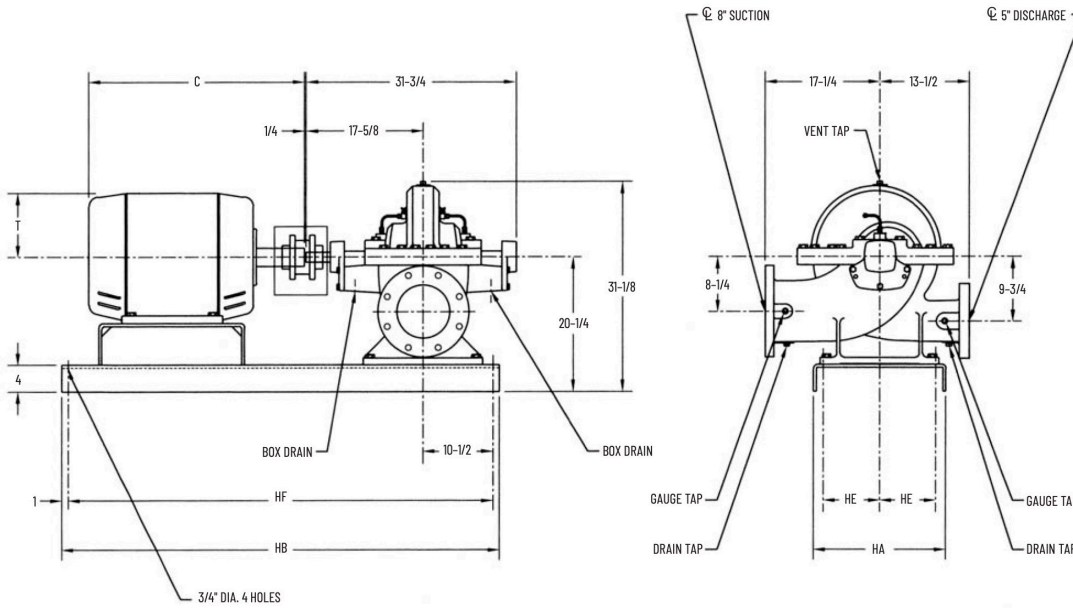
Rotation is always viewed from the driver end. For C.C.W. rotation, suction and discharge positions will be on opposite sides of that shown above and dimensions in the end view will be reversed.

Bases are designed to be completely filled with grout.

Not for construction, installation, or application purposes unless certified. Dimensions shown may vary due to normal manufacturing tolerances.

TYPICAL SPECIFICATIONS

SETTING PLAN 5" 2823A BENT FORM BASE



CLOCKWISE ROTATION SHOWN

UNIT DIMENSIONS						
MOTOR FRAME SIZE	BASE				MOTOR	
	HA	HB	HE	HF	C	T
254T	20	54	8-1/2	52	20-5/8	6-3/8
256T	20	54	8-1/2	52	22-3/8	6-3/8
284TS	20	54	8-1/2	52	22-1/8	7
284T	20	54	8-1/2	52	23-1/2	7
286TS	20	54	8-1/2	52	23-5/8	7
286T	20	54	8-1/2	52	25	7
324TS	20	60	8-1/2	58	24-5/8	8
324T	20	60	8-1/2	58	26-1/8	8
326TS	20	60	8-1/2	58	26-1/8	8

UNIT DIMENSIONS						
MOTOR FRAME SIZE	BASE				MOTOR	
	HA	HB	HE	HF	C	T
326T	20	60	8-1/2	58	27-5/8	8
364TS	20	60	8-1/2	58	26-5/8	9-1/4
364T	20	60	8-1/2	58	28-3/4	9-1/4
365TS	20	60	8-1/2	58	27-5/8	9-1/4
365T	20	60	8-1/2	58	29-3/4	9-1/4
404TS	24	66	10-1/2	64	29-5/8	10-1/4
404T	24	66	10-1/2	64	32-5/8	10-1/4
405TS	24	66	10-1/2	64	31-1/8	10-1/4
405T	24	66	10-1/2	64	34-1/8	10-1/4

NOTES

All flanges are standard 125# ANSI drilling. Optional 250# ANSI flanges are available.

All dimensions are in inches unless noted.

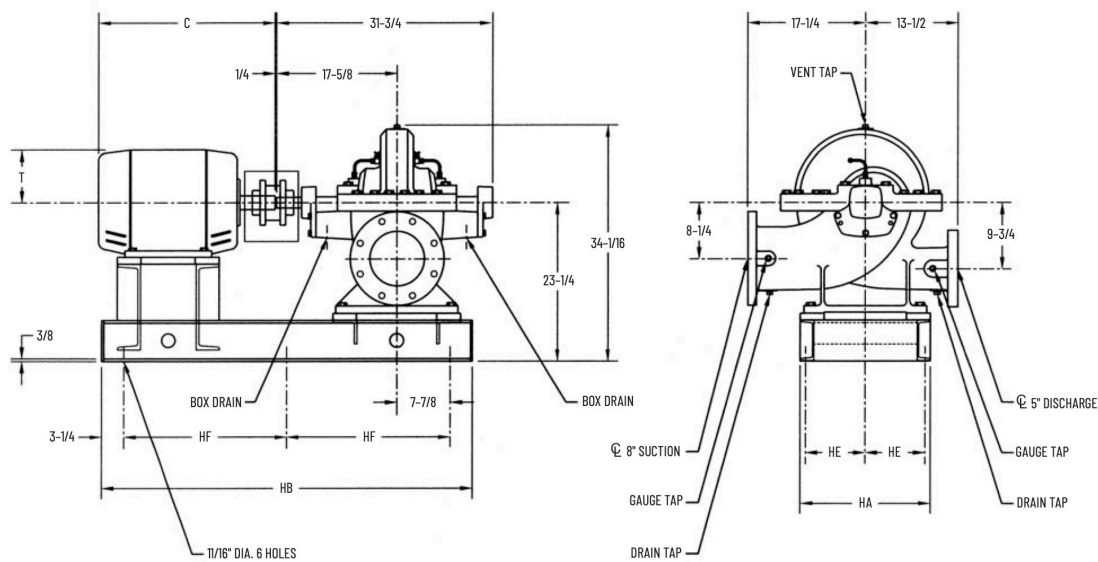
Rotation is always viewed from the driver end. For C.C.W. rotation, suction and discharge positions will be on opposite sides of that shown above and dimensions in the end view will be reversed.

Bases are designed to be completely filled with grout.

Not for construction, installation, or application purposes unless certified. Dimensions shown may vary due to normal manufacturing tolerances.

TYPICAL SPECIFICATIONS

SETTING PLAN 5" 2823A OPTIONAL STRUCTURAL BASE



CLOCKWISE ROTATION SHOWN

UNIT DIMENSIONS						
MOTOR FRAME SIZE	BASE				MOTOR	
	HA	HB	HE	HF	C	T
254T	19	48-1/2	8-3/4	21	20-5/8	6-3/8
256T	19	54-1/2	8-3/4	24	22-3/8	6-3/8
284TS	19	54-1/2	8-3/4	24	22-1/8	7
284T	19	54-1/2	8-3/4	24	23-1/2	7
286TS	19	54-1/2	8-3/4	24	23-5/8	7
286T	19	54-1/2	8-3/4	24	25	7
324TS	19	54-1/2	8-3/4	24	24-5/8	8
324T	19	54-1/2	8-3/4	24	26-1/8	8
326TS	19	54-1/2	8-3/4	24	26-1/8	8

UNIT DIMENSIONS						
MOTOR FRAME SIZE	BASE				MOTOR	
	HA	HB	HE	HF	C	T
326T	19	54-1/2	8-3/4	24	27-5/8	8
364TS	25	54-1/2	11-3/4	24	26-5/8	9-1/4
364T	25	54-1/2	11-3/4	24	28-3/4	9-1/4
365TS	25	54-1/2	11-3/4	24	27-5/8	9-1/4
365T	25	60-1/2	11-3/4	24	29-3/4	9-1/4
404TS	25	54-1/2	11-3/4	24	29-5/8	10-1/4
404T	25	60-1/2	11-3/4	27	32-5/8	10-1/4
405TS	25	60-1/2	11-3/4	27	31-1/8	10-1/4
405T	25	60-1/2	11-3/4	27	34-1/8	10-1/4

NOTES

All flanges are standard 125# ANSI drilling. Optional 250# ANSI flanges are available.

All dimensions are in inches unless noted.

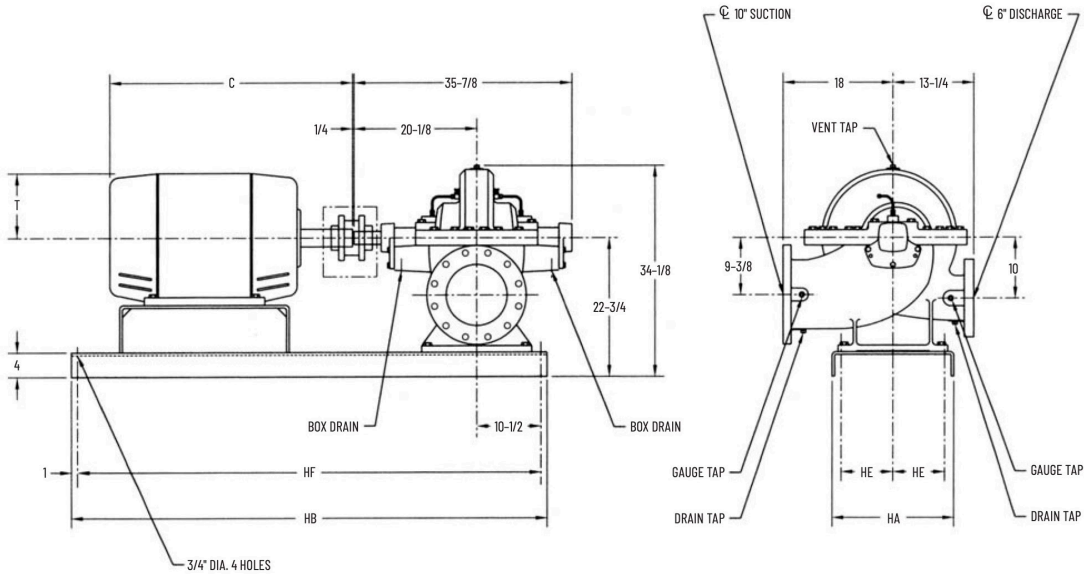
Rotation is always viewed from the driver end. For C.C.W. rotation, suction and discharge positions will be on opposite sides of that shown above and dimensions in the end view will be reversed.

Bases are designed to be completely filled with grout.

Not for construction, installation, or application purposes unless certified. Dimensions shown may vary due to normal manufacturing tolerances.

TYPICAL SPECIFICATIONS

SETTING PLAN 6" 2823A & C BENT FORM BASE



CLOCKWISE ROTATION SHOWN

UNIT DIMENSIONS						
MOTOR FRAME SIZE	BASE				MOTOR	
	HA	HB	HE	HF	C	T
256T	20	54	8-1/2	52	22-3/8	6-3/8
284TS	20	60	8-1/2	58	22-1/8	7
284T	20	60	8-1/2	58	23-1/2	7
286TS	20	60	8-1/2	58	23-5/8	7
286T	20	60	8-1/2	58	25	7
324TS	20	60	8-1/2	58	24-5/8	8
324T	20	60	8-1/2	58	26-1/8	8
326TS	20	60	8-1/2	58	26-1/8	8
326T	20	60	8-1/2	58	27-5/8	8
364TS	20	60	8-1/2	58	26-5/8	9-1/4
364T	20	60	8-1/2	58	28-3/4	9-1/4

UNIT DIMENSIONS						
MOTOR FRAME SIZE	BASE				MOTOR	
	HA	HB	HE	HF	C	T
365TS	20	60	8-1/2	58	27-5/8	9-1/4
365T	20	60	8-1/2	58	29-3/4	9-1/4
404TS	24	66	10-1/2	64	29-5/8	10-1/4
404T	24	66	10-1/2	64	32-5/8	10-1/4
405TS	24	66	10-1/2	64	31-1/8	10-1/4
405T	24	66	10-1/2	64	34-1/8	10-1/4
444TS	24	78	10-1/2	76	37-1/8	11-1/4
444T	24	78	10-1/2	76	37-7/8	11-1/4
445TS	24	78	10-1/2	76	36-1/8	11-1/4
445T	24	78	10-1/2	76	39-7/8	11-1/4

NOTES

All flanges are standard 125# ANSI drilling. Optional 250# ANSI flanges are available.

All dimensions are in inches unless noted.

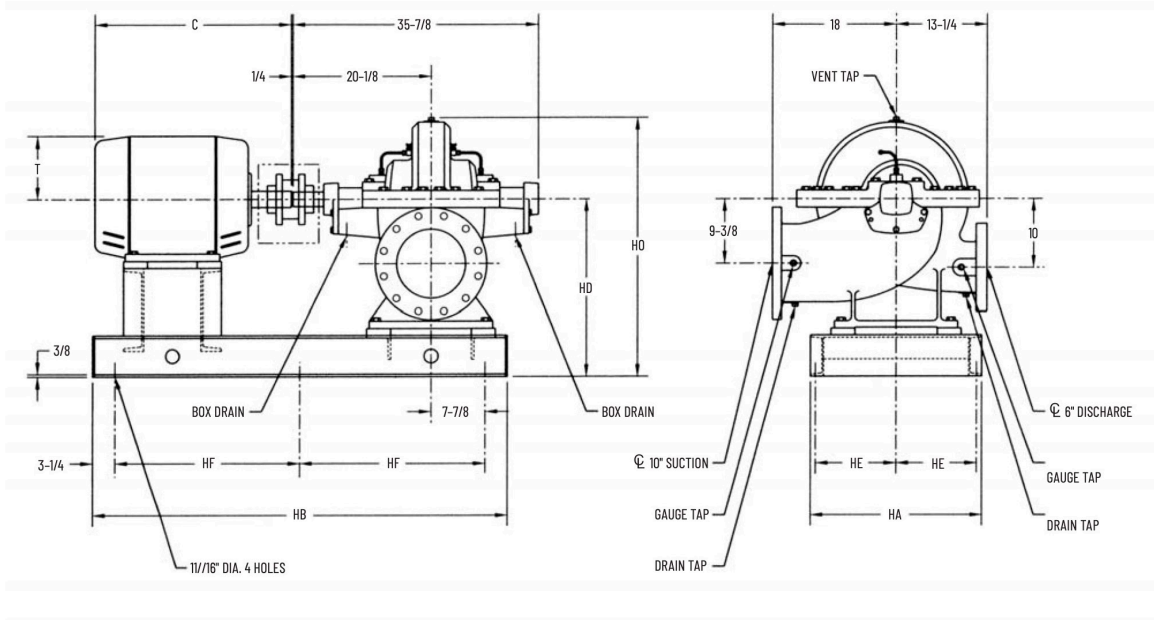
Rotation is always viewed from the driver end. For C.C.W. rotation, suction and discharge positions will be on opposite sides of that shown above and dimensions in the end view will be reversed.

Bases are designed to be completely filled with grout.

Not for construction, installation, or application purposes unless certified. Dimensions shown may vary due to normal manufacturing tolerances.

TYPICAL SPECIFICATIONS

SETTING PLAN 6" 2823A & C OPTIONAL STRUCTURAL BASE



CLOCKWISE ROTATION SHOWN

UNIT DIMENSIONS

MOTOR FRAME SIZE	BASE						MOTOR	
	HA	HB	HD	HE	HF	HO	C	T
256T	19	54-1/2	25-3/4	8-3/4	24	37-1/16	22-3/8	6-3/8
284TS	19	54-1/2	25-3/4	8-3/4	24	37-1/16	22-1/8	7
284T	19	54-1/2	25-3/4	8-3/4	24	37-1/16	23-1/2	7
286TS	19	54-1/2	25-3/4	8-3/4	24	37-1/16	23-5/8	7
286T	19	54-1/2	25-3/4	8-3/4	24	37-1/16	25	7
324TS	19	54-1/2	25-3/4	8-3/4	24	37-1/16	24-5/8	8
324T	19	60-1/2	25-3/4	8-3/4	24	37-1/16	26-1/8	8
326TS	19	60-1/2	25-3/4	8-3/4	27	37-1/16	26-1/8	8
326T	19	60-1/2	25-3/4	8-3/4	27	37-1/16	27-5/8	8
364TS	25	60-1/2	25-3/4	11-3/4	27	37-1/16	26-5/8	9-1/4
364T	25	60-1/2	25-3/4	11-3/4	27	37-1/16	28-3/4	9-1/4

UNIT DIMENSIONS

MOTOR FRAME SIZE	BASE						MOTOR	
	HA	HB	HD	HE	HF	HO	C	T
365TS	25	60-1/2	25-3/4	11-3/4	27	37-1/16	27-5/8	9-1/4
365T	25	60-1/2	25-3/4	11-3/4	27	37-1/16	29-3/4	9-1/4
404TS	25	60-1/2	25-3/4	11-3/4	27	37-1/16	29-5/8	10-1/4
404T	25	60-1/2	25-3/4	11-3/4	27	37-1/16	32-5/8	10-1/4
405TS	25	60-1/2	25-3/4	11-3/4	27	37-1/16	31-1/8	10-1/4
405T	25	66-1/2	25-3/4	11-3/4	30	37-1/16	34-1/8	10-1/4
444TS	25	66-1/2	25-3/4	11-3/4	30	37-1/16	34-1/8	11-1/4
444T	25	72-1/2	25-3/4	12	33	37-1/16	37-7/8	11-1/4
445TS	25	66-1/2	25-3/4	11-3/4	30	37-1/16	36-1/8	11-1/4
445T	25-3/4	72-1/2	27-3/4	12	33	39-1/16	39-7/8	11-1/4

NOTES

All flanges are standard 125# ANSI drilling. Optional 250# ANSI flanges are available.

All dimensions are in inches unless noted.

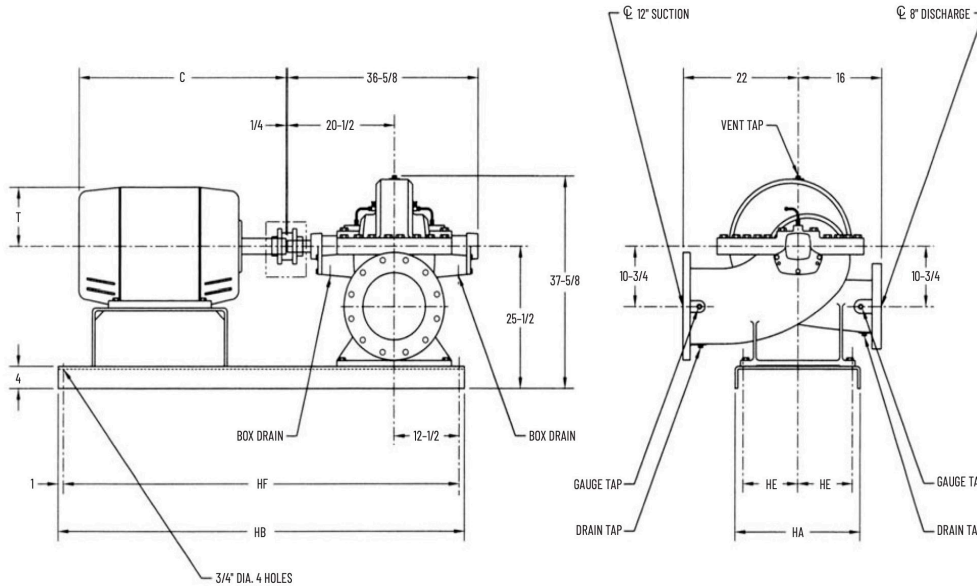
Rotation is always viewed from the driver end. For C.C.W. rotation, suction and discharge positions will be on opposite sides of that shown above and dimensions in the end view will be reversed.

Bases are designed to be completely filled with grout.

Not for construction, installation, or application purposes unless certified. Dimensions shown may vary due to normal manufacturing tolerances.

TYPICAL SPECIFICATIONS

SETTING PLAN 8" 2823A BENT FORM BASE



CLOCKWISE ROTATION SHOWN

UNIT DIMENSIONS						
MOTOR FRAME SIZE	BASE				MOTOR	
	HA	HB	HE	HF	C	T
286TS	24	66	10-1/2	64	23-5/8	7
286T	24	66	10-1/2	64	25	7
324TS	24	66	10-1/2	64	24-5/8	8
324T	24	66	10-1/2	64	26-1/8	8
326TS	24	66	10-1/2	64	26-1/8	8
326T	24	66	10-1/2	64	27-5/8	8
364TS	24	66	10-1/2	64	26-5/8	9-1/4
364T	24	66	10-1/2	64	28-3/4	9-1/4
365TS	24	66	10-1/2	64	27-5/8	9-1/4
364TS	20	60	8-1/2	58	26-5/8	9-1/4
364T	20	60	8-1/2	58	28-3/4	9-1/4

UNIT DIMENSIONS						
MOTOR FRAME SIZE	BASE				MOTOR	
	HA	HB	HE	HF	C	T
365T	24	66	10-1/2	64	29-3/4	9-1/4
404TS	24	78	10-1/2	76	29-5/8	10-1/4
404T	24	78	10-1/2	76	32-5/8	10-1/4
405TS	24	78	10-1/2	76	31-1/8	10-1/4
405T	24	78	10-1/2	76	34-1/8	10-1/4
444TS	24	78	10-1/2	76	37-1/8	11-1/4
444T	24	78	10-1/2	76	37-7/8	11-1/4
445TS	24	78	10-1/2	76	36-1/8	11-1/4
445T	24	78	10-1/2	76	39-7/8	11-1/4

NOTES

All flanges are standard 125# ANSI drilling. Optional 250# ANSI flanges are available.

All dimensions are in inches unless noted.

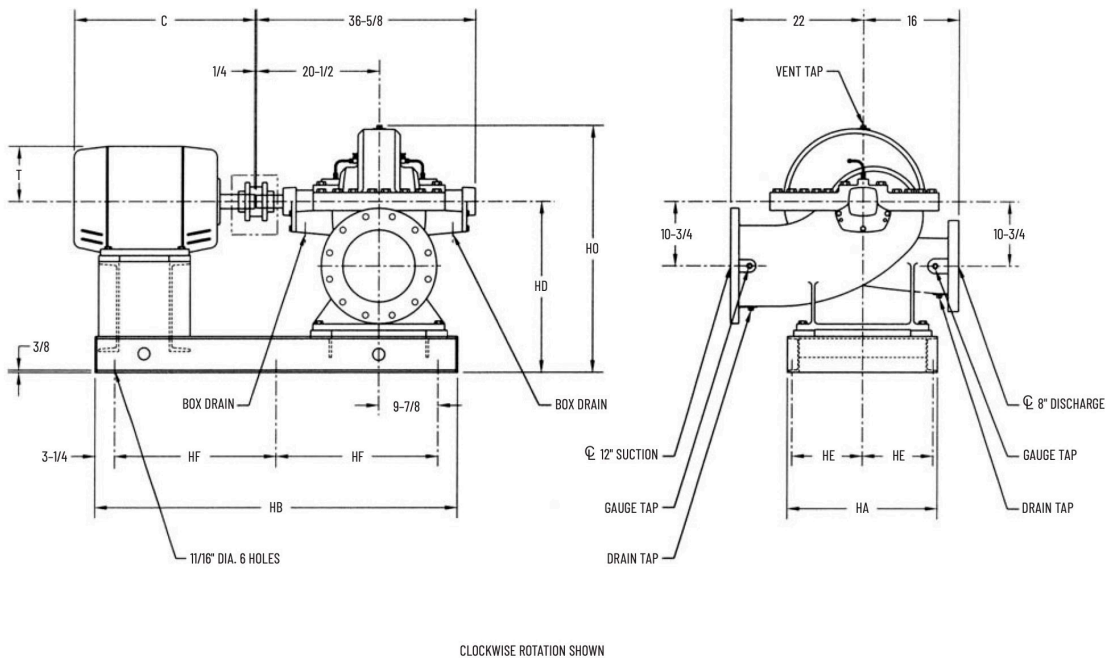
Rotation is always viewed from the driver end. For C.C.W. rotation, suction and discharge positions will be on opposite sides of that shown above and dimensions in the end view will be reversed.

Bases are designed to be completely filled with grout.

Not for construction, installation, or application purposes unless certified. Dimensions shown may vary due to normal manufacturing tolerances.

TYPICAL SPECIFICATIONS

SETTING PLAN 8" 2823A OPTIONAL STRUCTURAL BASE



UNIT DIMENSIONS								
MOTOR FRAME SIZE	BASE					MOTOR		
	HA	HB	HD	HE	HF	HO	C	T
286TS	25	60-1/2	28-1/2	11-3/4	27	40-5/8	23-5/8	7
286T	25	60-1/2	28-1/2	11-3/4	27	40-5/8	25	7
324TS	25	60-1/2	28-1/2	11-3/4	27	40-5/8	24-5/8	8
324T	25	60-1/2	28-1/2	11-3/4	27	40-5/8	26-1/8	8
326TS	25	60-1/2	28-1/2	11-3/4	27	40-5/8	26-1/8	8
326T	25	60-1/2	28-1/2	11-3/4	27	40-5/8	27-5/8	8
364TS	25	60-1/2	28-1/2	11-3/4	27	40-5/8	26-5/8	9-1/4
364T	25	60-1/2	28-1/2	11-3/4	27	40-5/8	28-3/4	9-1/4
365TS	25	60-1/2	28-1/2	11-3/4	27	40-5/8	27-5/8	9-1/4

UNIT DIMENSIONS								
MOTOR FRAME SIZE	BASE					MOTOR		
	HA	HB	HD	HE	HF	HO	C	T
365T	25	66-1/2	28-1/2	11-3/4	30	40-5/8	29-3/4	9-1/4
404TS	25	60-1/2	28-1/2	11-3/4	27	40-5/8	29-5/8	10-1/4
404T	25	66-1/2	28-1/2	11-3/4	30	40-5/8	32-5/8	10-1/4
405TS	25	66-1/2	28-1/2	11-3/4	30	40-5/8	31-1/8	10-1/4
405T	25	66-1/2	28-1/2	11-3/4	30	40-5/8	34-1/8	10-1/4
444TS	25	66-1/2	28-1/2	11-3/4	30	40-5/8	34-1/8	11-1/4
444T	25-3/4	72-1/2	30-1/2	12	33	42-5/8	37-7/8	11-1/4
445TS	25	66-1/2	28-1/2	11-3/4	30	40-5/8	36-1/8	11-1/4
445T	25-3/4	72-1/2	30-1/2	12	33	42-5/8	39-7/8	11-1/4

NOTES

All flanges are standard 125# ANSI drilling. Optional 250# ANSI flanges are available.

All dimensions are in inches unless noted.

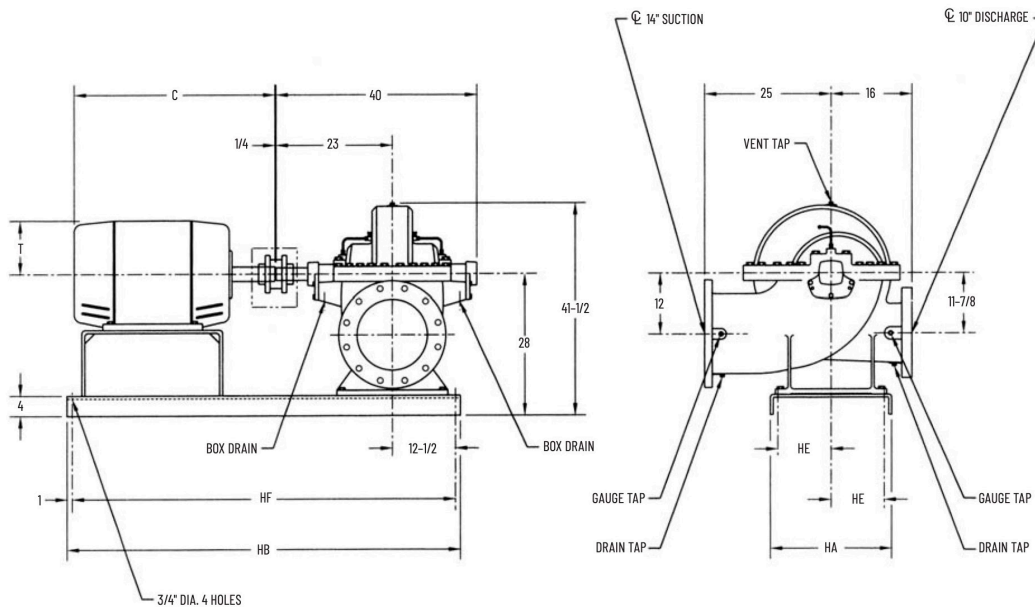
Rotation is always viewed from the driver end. For C.C.W. rotation, suction and discharge positions will be on opposite sides of that shown above and dimensions in the end view will be reversed.

Bases are designed to be completely filled with grout.

Not for construction, installation, or application purposes unless certified. Dimensions shown may vary due to normal manufacturing tolerances.

TYPICAL SPECIFICATIONS

SETTING PLAN 10" 2823A BENT FORM BASE



CLOCKWISE ROTATION SHOWN

UNIT DIMENSIONS						
MOTOR FRAME SIZE	BASE				MOTOR	
	HA	HB	HE	HF	C	T
326TS	24	66	10-1/2	64	26-1/8	8
326T	24	66	10-1/2	64	27-5/8	8
364TS	24	66	10-1/2	64	26-5/8	9-1/4
364T	24	66	10-1/2	64	28-3/4	9-1/4
365TS	24	66	10-1/2	64	27-5/8	9-1/4
365T	24	66	10-1/2	64	29-3/4	9-1/4
404TS	24	78	10-1/2	76	29-5/8	10-1/4

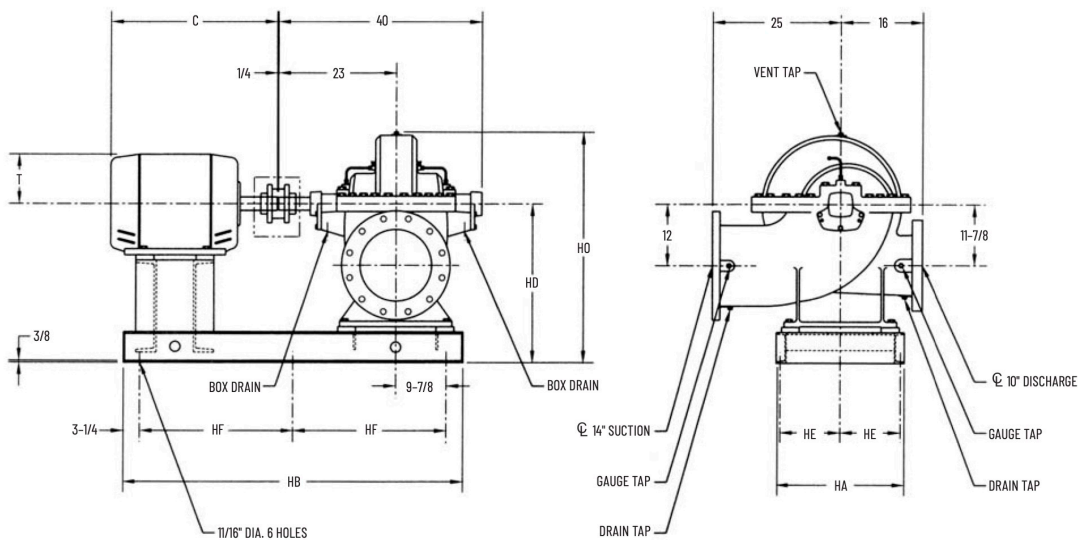
UNIT DIMENSIONS						
MOTOR FRAME SIZE	BASE				MOTOR	
	HA	HB	HE	HF	C	T
404T	24	78	10-1/2	76	32-5/8	10-1/4
405TS	24	78	10-1/2	76	31-1/8	10-1/4
405T	24	78	10-1/2	76	34-1/8	10-1/4
444TS	24	78	10-1/2	76	34-1/8	11-1/4
444T	24	78	10-1/2	76	37-7/8	11-1/4
445TS	24	78	10-1/2	76	38-1/8	11-1/4
445T	24	78	10-1/2	76	39-7/8	11-1/4

NOTES

- All flanges are standard 125# ANSI drilling. Optional 250# ANSI flanges are available.
- All dimensions are in inches unless noted.
- Rotation is always viewed from the driver end. For C.C.W. rotation, suction and discharge positions will be on opposite sides of that shown above and dimensions in the end view will be reversed.
- Bases are designed to be completely filled with grout.
- Not for construction, installation, or application purposes unless certified. Dimensions shown may vary due to normal manufacturing tolerances.

TYPICAL SPECIFICATIONS

SETTING PLAN 10" 2823A OPTIONAL STRUCTURAL BASE



CLOCKWISE ROTATION SHOWN

UNIT DIMENSIONS

MOTOR FRAME SIZE	BASE						MOTOR	
	HA	HB	HD	HE	HF	HO	C	T
326TS	25	60-1/2	31	11-3/4	27	44-1/2	26-1/8	8
326T	25	66-1/2	31	11-3/4	30	44-1/2	27-5/8	8
364TS	25	60-1/2	31	11-3/4	27	44-1/2	26-5/8	9-1/4
364T	25	66-1/2	31	11-3/4	30	44-1/2	28-3/4	9-1/4
365TS	25	66-1/2	31	11-3/4	30	44-1/2	27-5/8	9-1/4
365T	25	66-1/2	31	11-3/4	30	44-1/2	29-3/4	9-1/4
404TS	25	66-1/2	31	11-3/4	30	44-1/2	29-5/8	10-1/4
404T	25	66-1/2	31	11-3/4	30	44-1/2	32-5/8	10-1/4

UNIT DIMENSIONS

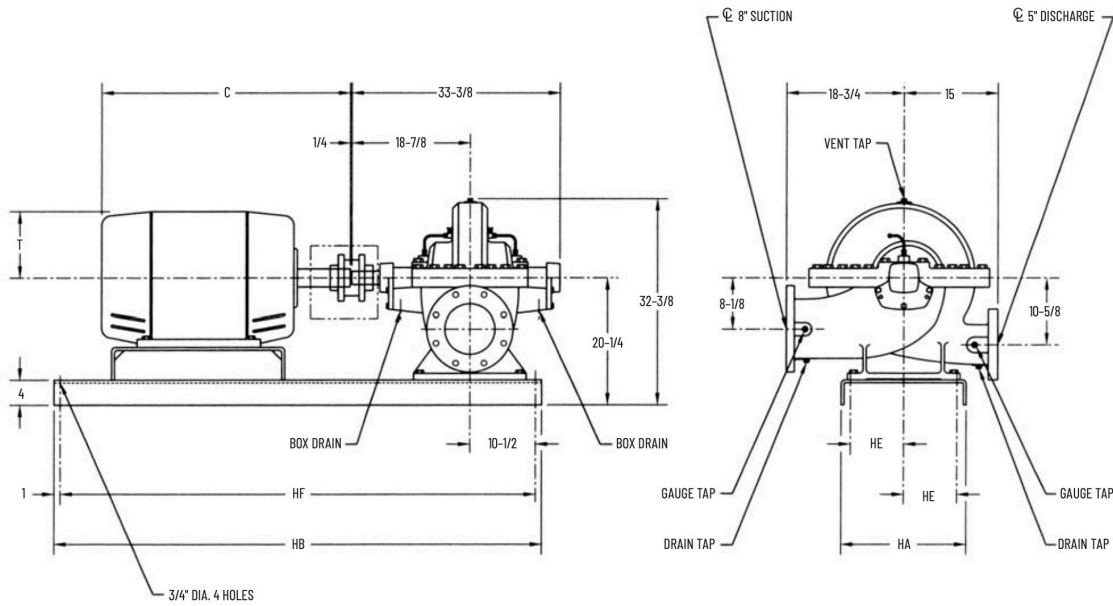
MOTOR FRAME SIZE	BASE						MOTOR	
	HA	HB	HD	HE	HF	HO	C	T
405TS	25	66-1/2	31	11-3/4	30	44-1/2	31-1/8	10-1/4
405T	25-3/4	72-1/2	33	12	33	46-1/2	34-1/8	10-1/4
444TS	25	66-1/2	31	11-3/4	30	44-1/2	34-1/8	11-1/4
444T	25-3/4	72-1/2	33	12	33	46-1/2	37-7/8	11-1/4
445TS	25-3/4	72-1/2	33	12	33	46-1/2	36-1/8	11-1/4
445T	25-3/4	72-1/2	33	12	33	46-1/2	39-7/8	11-1/4
447TS	25-3/4	72-1/2	33	12	33	46-1/2	39-5/8	11-1/4
447T	25-3/4	84-1/2	33	12	39	46-1/2	43-3/8	11-1/4

NOTES

- All flanges are standard 125# ANSI drilling. Optional 250# ANSI flanges are available.
- All dimensions are in inches unless noted.
- Rotation is always viewed from the driver end. For C.C.W. rotation, suction and discharge positions will be on opposite sides of that shown above and dimensions in the end view will be reversed.
- Bases are designed to be completely filled with grout.
- Structural steel bases are standard for motor frames above 445T.
- Not for construction, installation, or application purposes unless certified. Dimensions shown may vary due to normal manufacturing tolerances.

TYPICAL SPECIFICATIONS

SETTING PLAN 5" 2824A BENT FORM BASE



CLOCKWISE ROTATION SHOWN

UNIT DIMENSIONS						
MOTOR FRAME SIZE	BASE				MOTOR	
	HA	HB	HE	HF	C	T
324TS	20	60	8-1/2	58	24-5/8	8
324T	20	60	8-1/2	58	26-1/8	8
326TS	20	60	8-1/2	58	26-1/8	8
326T	20	60	8-1/2	58	27-5/8	8
364TS	20	60	8-1/2	58	26-5/8	9-1/4
364T	20	60	8-1/2	58	28-3/4	9-1/4
365TS	20	60	8-1/2	58	27-5/8	9-1/4
365T	20	60	8-1/2	58	29-3/4	9-1/4

UNIT DIMENSIONS						
MOTOR FRAME SIZE	BASE				MOTOR	
	HA	HB	HE	HF	C	T
404TS	25	66	10-1/2	64	29-5/8	10-1/4
404T	25	66	10-1/2	64	32-5/8	10-1/4
405TS	25	66	10-1/2	64	31-1/8	10-1/4
405T	25	66	10-1/2	64	34-1/8	10-1/4
444TS	25	66	10-1/2	64	34-1/8	11-1/4
444T	25	66	10-1/2	64	37-7/8	11-1/4
445TS	25	66	10-1/2	64	36-1/8	11-1/4
445T	25	78	10-1/2	64	39-7/8	11-1/4

NOTES

All flanges are standard 125# ANSI drilling. Optional 250# ANSI flanges are available.

All dimensions are in inches unless noted.

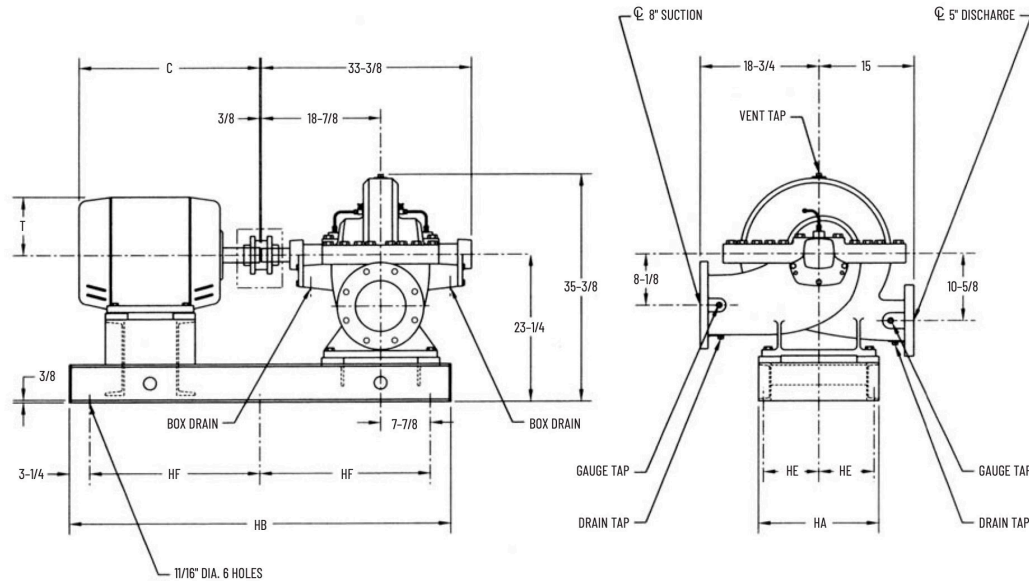
Rotation is always viewed from the driver end. For C.C.W. rotation, suction and discharge positions will be on opposite sides of that shown above and dimensions in the end view will be reversed.

Bases are designed to be completely filled with grout.

Not for construction, installation, or application purposes unless certified. Dimensions shown may vary due to normal manufacturing tolerances.

TYPICAL SPECIFICATIONS

SETTING PLAN 5" 2824A OPTIONAL STRUCTURAL BASE



CLOCKWISE ROTATION SHOWN

UNIT DIMENSIONS						
MOTOR FRAME SIZE	BASE				MOTOR	
	HA	HB	HE	HF	C	T
324TS	19	54-1/2	8-3/4	24	24-5/8	8
324T	19	54-1/2	8-3/4	24	26-1/8	8
326TS	19	54-1/2	8-3/4	24	26-1/8	8
326T	19	60-1/2	8-3/4	27	27-5/8	8
364TS	25	54-1/2	11-3/4	24	26-5/8	9-1/4
364T	25	60-1/2	11-3/4	27	28-3/4	9-1/4
365TS	25	54-1/2	11-3/4	24	27-5/8	9-1/4
365T	25	60-1/2	11-3/4	27	29-3/4	9-1/4

UNIT DIMENSIONS						
MOTOR FRAME SIZE	BASE				MOTOR	
	HA	HB	HE	HF	C	T
404TS	25	60-1/2	11-3/4	27	29-5/8	10-1/4
404T	25	60-1/2	11-3/4	27	32-5/8	10-1/4
405TS	25	60-1/2	11-3/4	27	31-1/8	10-1/4
405T	25	66-1/2	11-3/4	30	34-1/8	10-1/4
444TS	25	60-1/2	11-3/4	27	34-1/8	11-1/4
444T	25	66-1/2	11-3/4	30	37-7/8	11-1/4
445TS	25	66-1/2	11-3/4	30	36-1/8	11-1/4
445T	25	72-1/2	12	33	39-7/8	11-1/4

NOTES

All flanges are standard 125# ANSI drilling. Optional 250# ANSI flanges are available.

All dimensions are in inches unless noted.

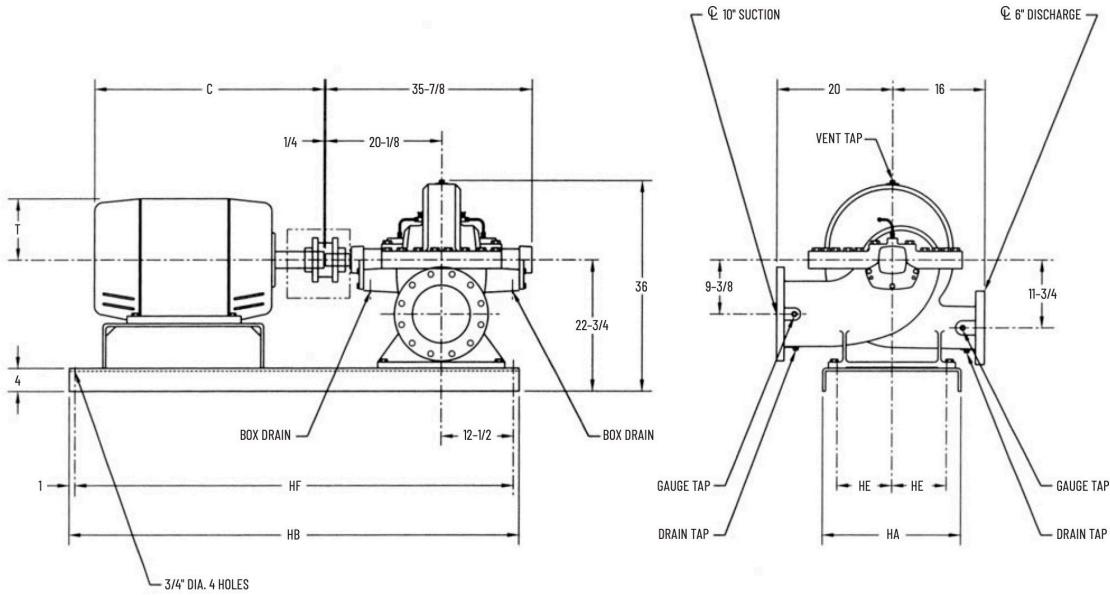
Rotation is always viewed from the driver end. For C.C.W. rotation, suction and discharge positions will be on opposite sides of that shown above and dimensions in the end view will be reversed.

Bases are designed to be completely filled with grout.

Not for construction, installation, or application purposes unless certified. Dimensions shown may vary due to normal manufacturing tolerances.

TYPICAL SPECIFICATIONS

SETTING PLAN 6" 2824A & C BENT FORM BASE



CLOCKWISE ROTATION SHOWN

UNIT DIMENSIONS						
MOTOR FRAME SIZE	BASE				MOTOR	
	HA	HB	HE	HF	C	T
286TS	24	66	10-1/2	64	23-5/8	7
286T	24	66	10-1/2	64	25	7
324TS	24	66	10-1/2	64	24-5/8	8
324T	24	66	10-1/2	64	26-1/8	8
326TS	24	66	10-1/2	64	26-1/8	8
326T	24	66	10-1/2	64	27-5/8	8
364TS	24	66	10-1/2	64	26-5/8	9-1/4
364T	24	66	10-1/2	64	28-3/4	9-1/4
365TS	24	66	10-1/2	64	27-5/8	9-1/4

UNIT DIMENSIONS						
MOTOR FRAME SIZE	BASE				MOTOR	
	HA	HB	HE	HF	C	T
365T	24	66	10-1/2	64	29-3/4	9-1/4
404TS	24	66	10-1/2	64	29-5/8	10-1/4
404T	24	66	10-1/2	64	32-5/8	10-1/4
405TS	24	66	10-1/2	64	31-1/8	10-1/4
405T	24	66	10-1/2	64	34-1/8	10-1/4
444TS	24	78	10-1/2	76	34-1/8	11-1/4
444T	24	78	10-1/2	76	37-7/8	11-1/4
445TS	24	78	10-1/2	76	36-1/8	11-1/4
445T	24	78	10-1/2	76	39-7/8	11-1/4

NOTES

All flanges are standard 125# ANSI drilling. Optional 250# ANSI flanges are available.

All dimensions are in inches unless noted.

Rotation is always viewed from the driver end. For C.C.W. rotation, suction and discharge positions will be on opposite sides of that shown above and dimensions in the end view will be reversed.

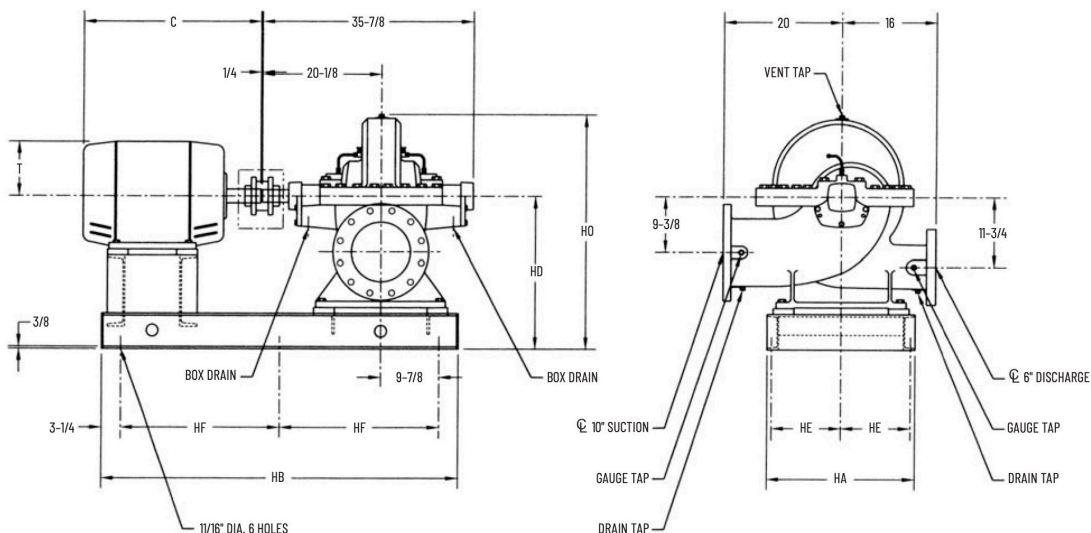
Bases are designed to be completely filled with grout.

For motor frames larger than 445 see structural steel base setting plan.

Not for construction, installation, or application purposes unless certified. Dimensions shown may vary due to normal manufacturing tolerances.

TYPICAL SPECIFICATIONS

SETTING PLAN 6" 2824A & C OPTIONAL STRUCTURAL BASE



CLOCKWISE ROTATION SHOWN

UNIT DIMENSIONS

MOTOR FRAME SIZE	BASE						MOTOR	
	HA	HB	HD	HE	HF	HO	C	T
286TS	25	60-1/2	25-3/4	11-3/4	27	39	23-5/8	7
286T	25	60-1/2	25-3/4	11-3/4	27	39	25	7
324TS	25	60-1/2	25-3/4	11-3/4	27	39	24-5/8	8
324T	25	60-1/2	25-3/4	11-3/4	27	39	26-1/8	8
326TS	25	60-1/2	25-3/4	11-3/4	27	39	26-1/8	8
326T	25	60-1/2	25-3/4	11-3/4	27	39	27-5/8	8
364TS	25	60-1/2	25-3/4	11-3/4	27	39	26-5/8	9-1/4
364T	25	60-1/2	25-3/4	11-3/4	27	39	28-3/4	9-1/4
365TS	25	60-1/2	25-3/4	11-3/4	27	39	27-5/8	9-1/4
365T	25	60-1/2	25-3/4	11-3/4	27	39	29-3/4	9-1/4

UNIT DIMENSIONS

MOTOR FRAME SIZE	BASE						MOTOR	
	HA	HB	HD	HE	HF	HO	C	T
404TS	25	60-1/2	25-3/4	11-3/4	27	39	29-5/8	10-1/4
404T	25	66-1/2	25-3/4	11-3/4	30	39	32-5/8	10-1/4
405TS	25	66-1/2	25-3/4	11-3/4	30	39	31-1/8	10-1/4
405T	25	66-1/2	25-3/4	11-3/4	30	39	34-1/8	10-1/4
444TS	25	66-1/2	25-3/4	11-3/4	30	39	34-1/8	11-1/4
444T	25-3/4	72-1/2	27-3/4	12	33	41	37-7/8	11-1/4
445TS	25	66-1/2	25-3/4	11-3/4	30	39	36-1/8	11-1/4
445T	25-3/4	72-1/2	27-3/4	12	33	41	39-7/8	11-1/4
447TS	25-3/4	72-1/2	27-3/4	12	33	41	39-5/8	12-7/8
447T	25-3/4	72-1/2	27-3/4	12	33	41	43-1/4	12-7/8

NOTES

All flanges are standard 125# ANSI drilling. Optional 250# ANSI flanges are available.

All dimensions are in inches unless noted.

Rotation is always viewed from the driver end. For C.C.W. rotation, suction and discharge positions will be on opposite sides of that shown above and dimensions in the end view will be reversed.

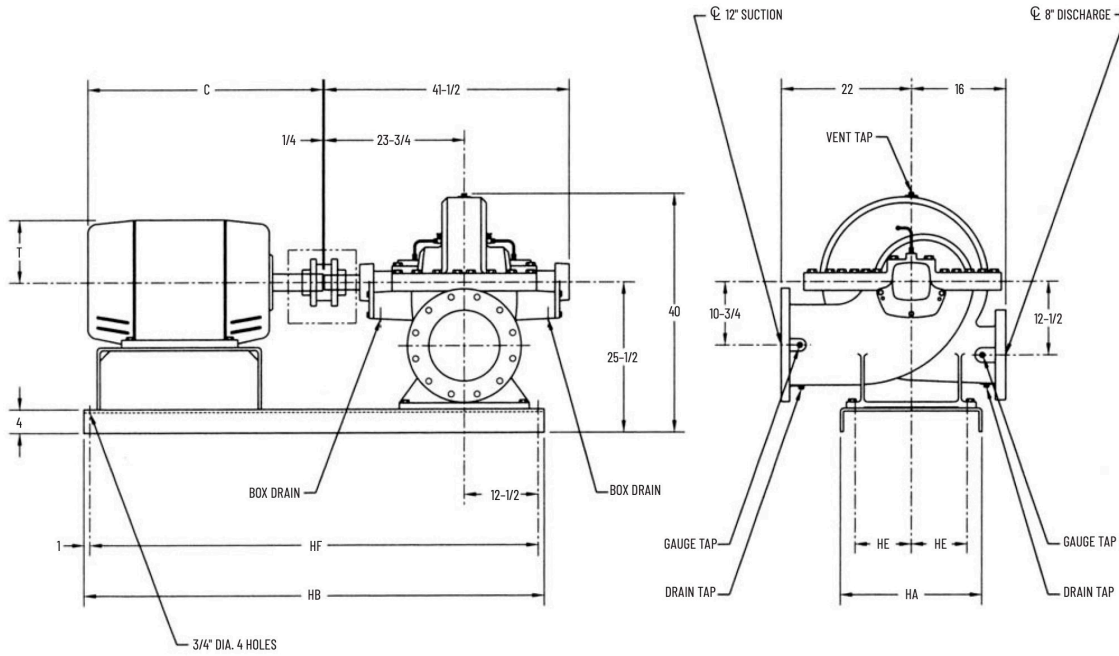
Bases are designed to be completely filled with grout.

Structural steel bases are standard for motor frames above 445T.

Not for construction, installation, or application purposes unless certified. Dimensions shown may vary due to normal manufacturing tolerances.

TYPICAL SPECIFICATIONS

SETTING PLAN 8" 2824A BENT FORM BASE



CLOCKWISE ROTATION SHOWN

UNIT DIMENSIONS

MOTOR FRAME SIZE	BASE				MOTOR	
	HA	HB	HE	HF	C	T
364TS	24	66	10-1/2	64	26-5/8	9-1/4
364T	24	66	10-1/2	64	28-3/4	9-1/4
365TS	24	66	10-1/2	64	27-5/8	9-1/4
365T	24	66	10-1/2	64	29-3/4	9-1/4
404TS	24	78	10-1/2	76	29-5/8	10-1/4
404T	24	78	10-1/2	76	32-5/8	10-1/4

UNIT DIMENSIONS

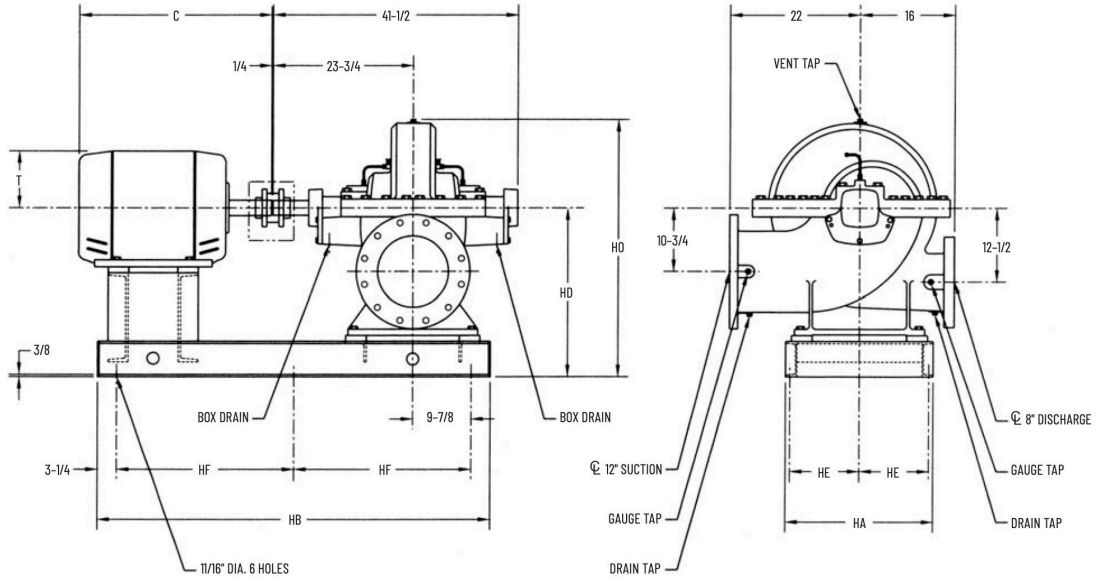
MOTOR FRAME SIZE	BASE				MOTOR	
	HA	HB	HE	HF	C	T
405TS	24	78	10-1/2	76	31-1/8	10-1/4
405T	24	78	10-1/2	76	34-1/8	10-1/4
444TS	24	78	10-1/2	76	34-1/8	11-1/4
444T	24	78	10-1/2	76	37-7/8	11-1/4
445TS	24	78	10-1/2	76	36-1/8	11-1/4
445T	24	78	10-1/2	76	39-7/8	11-1/4

NOTES

- All flanges are standard 125# ANSI drilling. Optional 250# ANSI flanges are available.
- All dimensions are in inches unless noted.
- Rotation is always viewed from the driver end. For C.C.W. rotation, suction and discharge positions will be on opposite sides of that shown above and dimensions in the end view will be reversed.
- Bases are designed to be completely filled with grout.
- For motor frames larger than 445 see structural steel base setting plan.
- Not for construction, installation, or application purposes unless certified. Dimensions shown may vary due to normal manufacturing tolerances.

TYPICAL SPECIFICATIONS

SETTING PLAN 8" 2824A OPTIONAL STRUCTURAL BASE



CLOCKWISE ROTATION SHOWN

UNIT DIMENSIONS

MOTOR FRAME SIZE	BASE						MOTOR	
	HA	HB	HD	HE	HF	HO	C	T
364TS	25	66-1/2	28-1/2	11-3/4	30	43	26-5/8	9-1/4
364T	25	66-1/2	28-1/2	11-3/4	30	43	28-3/4	9-1/4
365TS	25	66-1/2	28-1/2	11-3/4	30	43	27-5/8	9-1/4
365T	25	66-1/2	28-1/2	11-3/4	30	43	29-3/4	9-1/4
404TS	25	66-1/2	28-1/2	11-3/4	30	43	29-5/8	10-1/4
404T	25	66-1/2	28-1/2	11-3/4	30	43	32-5/8	10-1/4
405TS	25	66-1/2	28-1/2	11-3/4	30	43	31-1/8	10-1/4
405T	25-3/4	72-1/2	30-1/2	12	33	45	34-1/8	10-1/4

UNIT DIMENSIONS

MOTOR FRAME SIZE	BASE						MOTOR	
	HA	HB	HD	HE	HF	HO	C	T
444TS	25-3/4	72-1/2	30-1/2	12	33	45	34-1/8	11-1/4
444T	25-3/4	72-1/2	30-1/2	12	33	45	37-7/8	11-1/4
445TS	25-3/4	72-1/2	30-1/2	12	33	45	36-1/8	11-1/4
445T	25-3/4	84-1/2	30-1/2	12	39	45	39-7/8	11-1/4
447TS	25-3/4	72-1/2	30-1/2	12	33	45	39-5/8	11-1/4
447T	25-3/4	84-1/2	30-1/2	12	39	45	43-1/4	11-1/4
449TS	25-3/4	84-1/2	30-1/2	12	39	45	44-5/8	11-1/4
449T	25-3/4	84-1/2	30-1/2	12	39	45	48-1/4	11-1/4

NOTES

All flanges are standard 125# ANSI drilling. Optional 250# ANSI flanges are available.

All dimensions are in inches unless noted.

Rotation is always viewed from the driver end. For C.C.W. rotation, suction and discharge positions will be on opposite sides of that shown above and dimensions in the end view will be reversed.

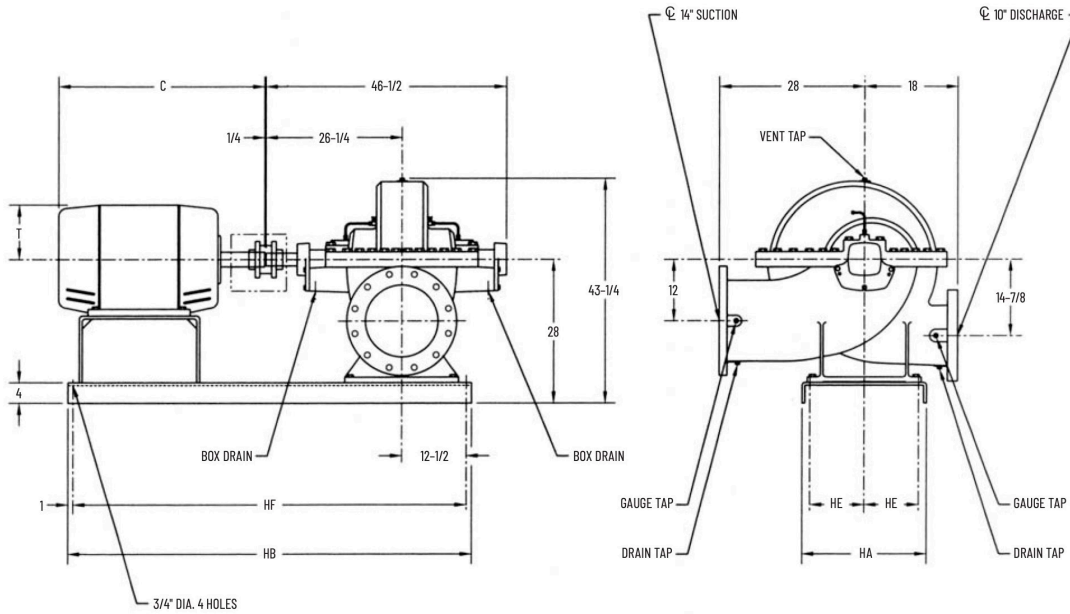
Bases are designed to be completely filled with grout.

Structural steel bases are standard for motor frames above 445T.

Not for construction, installation, or application purposes unless certified. Dimensions shown may vary due to normal manufacturing tolerances.

TYPICAL SPECIFICATIONS

SETTING PLAN 10" 2824A BENT FORM BASE



CLOCKWISE ROTATION SHOWN

UNIT DIMENSIONS

MOTOR FRAME SIZE	BASE				MOTOR	
	HA	HB	HE	HF	C	T
404TS	24	78	10-1/2	76	29-5/8	10-1/4
404T	24	78	10-1/2	76	32-5/8	10-1/4
405TS	24	78	10-1/2	76	31-1/8	10-1/4
405T	24	78	10-1/2	76	34-1/8	10-1/4

UNIT DIMENSIONS

MOTOR FRAME SIZE	BASE				MOTOR	
	HA	HB	HE	HF	C	T
444TS	24	78	10-1/2	76	34-1/8	11-1/4
444T	24	78	10-1/2	76	37-7/8	11-1/4
445TS	24	78	10-1/2	76	36-1/8	11-1/4
445T	24	78	10-1/2	76	39-7/8	11-1/4

NOTES

All flanges are standard 125# ANSI drilling. Optional 250# ANSI flanges are available.

All dimensions are in inches unless noted.

Rotation is always viewed from the driver end. For C.C.W. rotation, suction and discharge positions will be on opposite sides of that shown above and dimensions in the end view will be reversed.

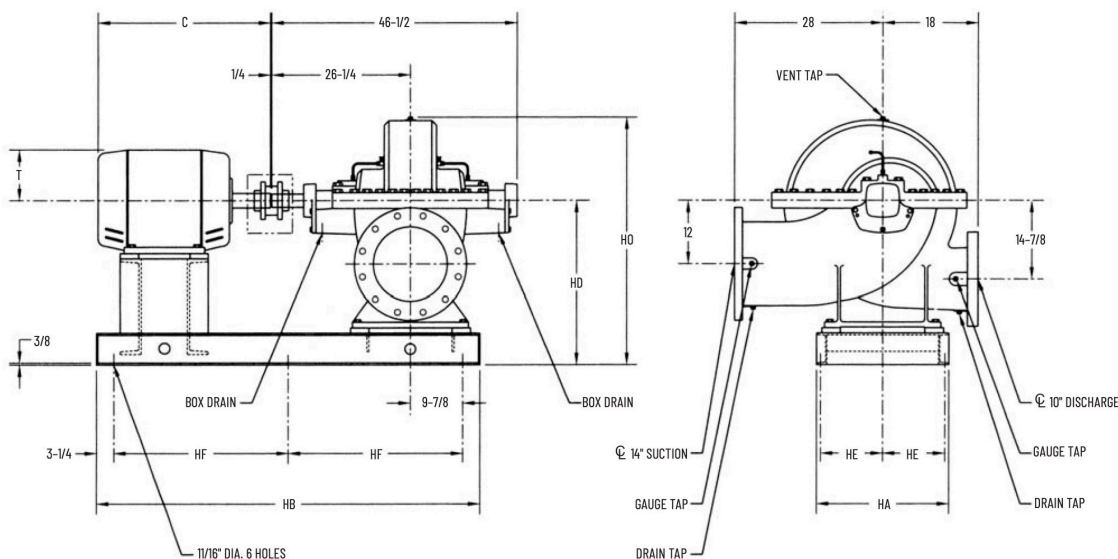
Bases are designed to be completely filled with grout.

For motor frames larger than 445 see structural steel base setting plan.

Not for construction, installation, or application purposes unless certified. Dimensions shown may vary due to normal manufacturing tolerances.

TYPICAL SPECIFICATIONS

SETTING PLAN 10" 2824A OPTIONAL STRUCTURAL BASE



CLOCKWISE ROTATION SHOWN

UNIT DIMENSIONS

MOTOR FRAME SIZE	BASE						MOTOR	
	HA	HB	HD	HE	HF	HO	C	T
404TS	25	66-1/2	31	11-3/4	30	46-1/4	29-5/8	10-1/4
404T	25-3/4	72-1/2	33	12	33	48-1/4	32-5/8	10-1/4
405TS	25	66-1/2	31	11-3/4	30	46-1/4	31-1/8	10-1/4
405T	25-3/4	72-1/2	33	12	33	48-1/4	34-1/8	10-1/4
444TS	25-3/4	72-1/2	33	12	33	48-1/4	37-7/8	11-1/4
444T	25-3/4	84-1/2	33	12	39	48-1/4	36-1/8	11-1/4
445TS	25-3/4	72-1/2	33	12	33	48-1/4	39-7/8	11-1/4

UNIT DIMENSIONS

MOTOR FRAME SIZE	BASE						MOTOR	
	HA	HB	HD	HE	HF	HO	C	T
445T	25-3/4	84-1/2	33	12	39	48-1/4	34-1/8	11-1/4
447TS	25-3/4	84-1/2	33	12	39	48-1/4	39-5/8	11-1/4
447T	25-3/4	84-1/2	33	12	39	48-1/4	43-1/4	11-1/4
449TS	25-3/4	84-1/2	33	12	39	48-1/4	44-5/8	11-1/4
449T	25-3/4	84-1/2	33	12	39	48-1/4	48-1/4	11-1/4
5807S	35	90-1/2	33	16-1/2	42	48-1/4	51-1/2	14-1/2

NOTES

All flanges are standard 125# ANSI drilling. Optional 250# ANSI flanges are available.

All dimensions are in inches unless noted.

Rotation is always viewed from the driver end. For C.C.W. rotation, suction and discharge positions will be on opposite sides of that shown above and dimensions in the end view will be reversed.

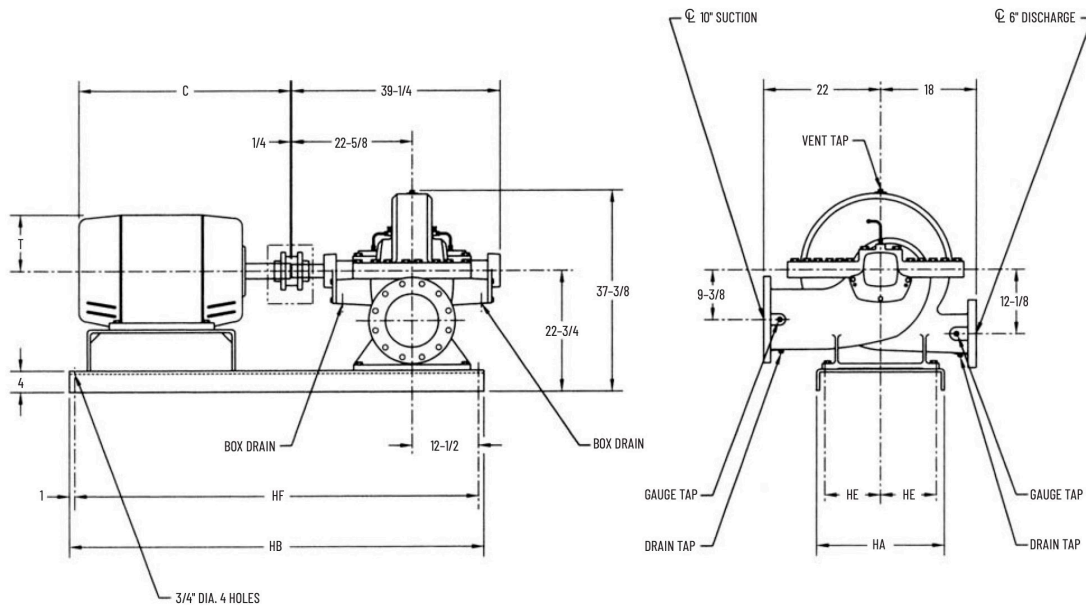
Bases are designed to be completely filled with grout.

Structural steel bases are standard for motor frames above 445T.

Not for construction, installation, or application purposes unless certified. Dimensions shown may vary due to normal manufacturing tolerances.

TYPICAL SPECIFICATIONS

SETTING PLAN 6" 2825A BENT FORM BASE



CLOCKWISE ROTATION SHOWN

UNIT DIMENSIONS						
MOTOR FRAME SIZE	BASE				MOTOR	
	HA	HB	HE	HF	C	T
365TS	24	66	10-1/2	64	27-5/8	9-1/4
365T	24	66	10-1/2	64	29-3/4	9-1/4
404TS	24	78	10-1/2	76	29-5/8	10-1/4
404T	24	78	10-1/2	76	32-5/8	10-1/4
405TS	24	78	10-1/2	76	31-1/8	10-1/4

UNIT DIMENSIONS						
MOTOR FRAME SIZE	BASE				MOTOR	
	HA	HB	HE	HF	C	T
405T	24	78	10-1/2	76	34-1/8	10-1/4
444TS	24	78	10-1/2	76	34-1/8	11-1/4
444T	24	78	10-1/2	76	37-7/8	11-1/4
445TS	24	78	10-1/2	76	36-1/8	11-1/4
445T	24	78	10-1/2	76	39-7/8	11-1/4

NOTES

All flanges are standard 125# ANSI drilling. Optional 250# ANSI flanges are available.

All dimensions are in inches unless noted.

Rotation is always viewed from the driver end. For C.C.W. rotation, suction and discharge positions will be on opposite sides of that shown above and dimensions in the end view will be reversed.

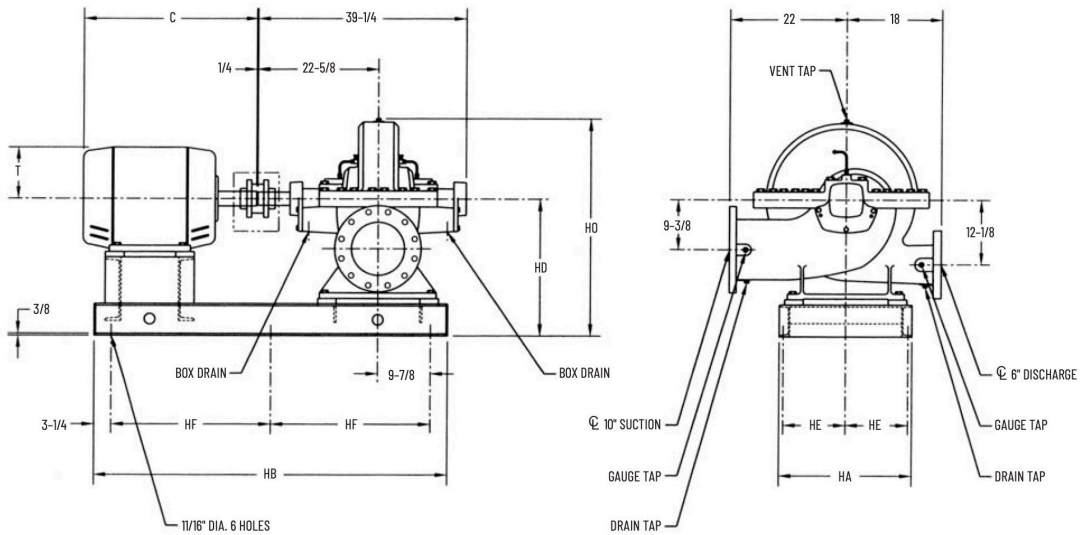
Bases are designed to be completely filled with grout.

For motor frames larger than 445 see structural steel base setting plan.

Not for construction, installation, or application purposes unless certified. Dimensions shown may vary due to normal manufacturing tolerances.

TYPICAL SPECIFICATIONS

SETTING PLAN 6" 2825A OPTIONAL STRUCTURAL BASE



CLOCKWISE ROTATION SHOWN

UNIT DIMENSIONS

MOTOR FRAME SIZE	BASE						MOTOR	
	HA	HB	HD	HE	HF	HO	C	T
365TS	25	60-1/2	25-3/4	11-3/4	27	40-5/16	27-5/8	9-1/4
365T	25	66-1/2	25-3/4	11-3/4	30	40-5/16	29-3/4	9-1/4
404TS	25	66-1/2	25-3/4	11-3/4	30	40-5/16	29-5/8	10-1/4
404T	25	66-1/2	25-3/4	11-3/4	30	40-5/16	32-5/8	10-1/4
405TS	25	66-1/2	25-3/4	11-3/4	30	40-5/16	31-1/8	10-1/4
405T	25-3/4	72-1/2	27-3/4	12	33	42-5/16	34-1/8	10-1/4
444TS	25	66-1/2	25-3/4	11-3/4	30	40-5/16	34-1/8	11-1/4
444T	25-3/4	72-1/2	27-3/4	12	33	42-5/16	37-7/8	11-1/4
445TS	25-3/4	72-1/2	27-3/4	12	33	42-5/16	36-1/8	11-1/4
445T	25-3/4	72-1/2	27-3/4	12	33	42-5/16	39-7/8	11-1/4
447TS	25-3/4	72-1/2	27-3/4	12	33	42-5/16	39-5/8	11-1/4
447T	25-3/4	84-1/2	27-3/4	12	39	42-5/16	43-1/4	11-1/4

NOTES

All flanges are standard 125# ANSI drilling. Optional 250# ANSI flanges are available.

All dimensions are in inches unless noted.

Rotation is always viewed from the driver end. For C.C.W. rotation, suction and discharge positions will be on opposite sides of that shown above and dimensions in the end view will be reversed.

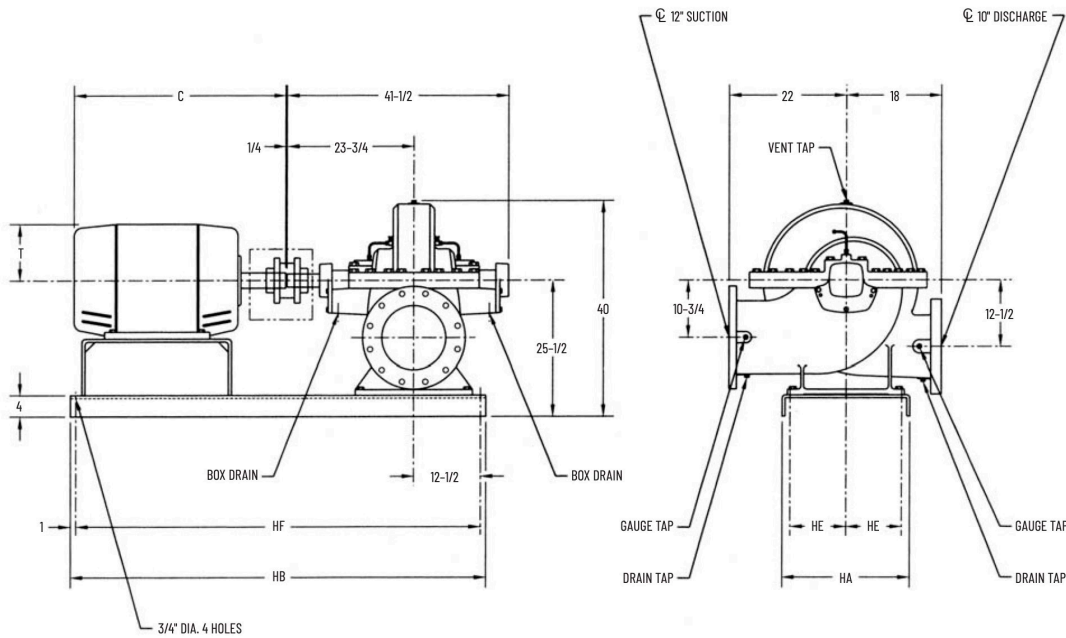
Bases are designed to be completely filled with grout.

Structural steel bases are standard for motor frames above 445T.

Not for construction, installation, or application purposes unless certified. Dimensions shown may vary due to normal manufacturing tolerances.

TYPICAL SPECIFICATIONS

SETTING PLAN 10" 2825C BENT FORM BASE



CLOCKWISE ROTATION SHOWN

UNIT DIMENSIONS						
MOTOR FRAME SIZE	BASE				MOTOR	
	HA	HB	HE	HF	C	T
364TS	24	66	10-1/2	64	26-5/8	9-1/4
364T	24	66	10-1/2	64	28-3/4	9-1/4
365TS	24	66	10-1/2	64	27-5/8	9-1/4
365T	24	66	10-1/2	64	29-3/4	9-1/4
404TS	24	78	10-1/2	76	29-5/8	10-1/4
404T	24	78	10-1/2	76	32-5/8	10-1/4

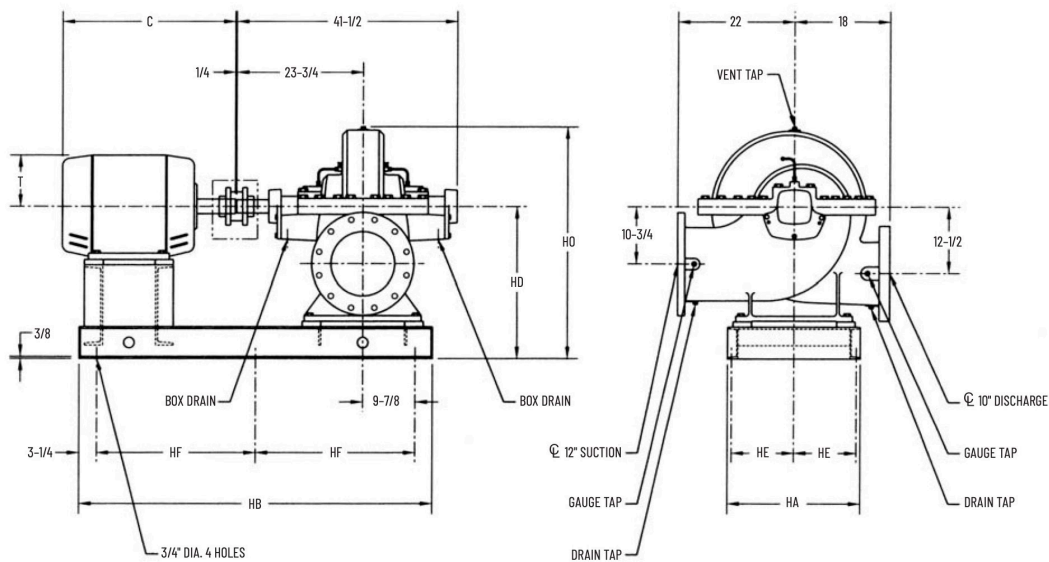
UNIT DIMENSIONS						
MOTOR FRAME SIZE	BASE				MOTOR	
	HA	HB	HE	HF	C	T
405TS	24	78	10-1/2	76	31-1/8	10-1/4
405T	24	78	10-1/2	76	34-1/8	10-1/4
444TS	24	78	10-1/2	76	34-1/8	11-1/4
444T	24	78	10-1/2	76	37-7/8	11-1/4
445TS	24	78	10-1/2	76	36-1/8	11-1/4
445T	24	78	10-1/2	76	39-7/8	11-1/4

NOTES

- All flanges are standard 125# ANSI drilling. Optional 250# ANSI flanges are available.
- All dimensions are in inches unless noted.
- Rotation is always viewed from the driver end. For C.C.W. rotation, suction and discharge positions will be on opposite sides of that shown above and dimensions in the end view will be reversed.
- Bases are designed to be completely filled with grout.
- For motor frames larger than 445 see structural steel base setting plan.
- Not for construction, installation, or application purposes unless certified. Dimensions shown may vary due to normal manufacturing tolerances.

TYPICAL SPECIFICATIONS

SETTING PLAN 10" 2825C OPTIONAL STRUCTURAL BASE



CLOCKWISE ROTATION SHOWN

UNIT DIMENSIONS

MOTOR FRAME SIZE	BASE						MOTOR	
	HA	HB	HD	HE	HF	HO	C	T
364TS	25	66-1/2	28-1/2	11-3/4	30	43	26-5/8	9-1/4
364T	25	66-1/2	28-1/2	11-3/4	30	43	28-3/4	9-1/4
365TS	25	66-1/2	28-1/2	11-3/4	30	43	27-5/8	9-1/4
365T	25	66-1/2	28-1/2	11-3/4	30	43	29-3/4	9-1/4
404TS	25	66-1/2	28-1/2	11-3/4	30	43	29-5/8	10-1/4
404T	25	66-1/2	28-1/2	11-3/4	30	43	32-5/8	10-1/4
405TS	25	66-1/2	28-1/2	11-3/4	30	43	31-1/8	10-1/4
405T	25-3/4	72-1/2	30-1/2	12	33	45	34-1/8	10-1/4

UNIT DIMENSIONS

MOTOR FRAME SIZE	BASE						MOTOR	
	HA	HB	HD	HE	HF	HO	C	T
444TS	25-3/4	72-1/2	30-1/2	12	33	45	34-1/8	11-1/4
444T	25-3/4	72-1/2	30-1/2	12	33	45	37-7/8	11-1/4
445TS	25-3/4	72-1/2	30-1/2	12	33	45	36-1/8	11-1/4
445T	25-3/4	84-1/2	30-1/2	12	39	45	39-7/8	11-1/4
447TS	25-3/4	72-1/2	30-1/2	12	33	45	39-5/8	11-1/4
447T	25-3/4	84-1/2	30-1/2	12	39	45	43-1/4	11-1/4
449TS	25-3/4	84-1/2	30-1/2	12	39	45	44-5/8	11-1/4
449T	25-3/4	84-1/2	30-1/2	12	39	45	48-1/8	11-1/4

NOTES

All flanges are standard 125# ANSI drilling. Optional 250# ANSI flanges are available.

All dimensions are in inches unless noted.

Rotation is always viewed from the driver end. For C.C.W. rotation, suction and discharge positions will be on opposite sides of that shown above and dimensions in the end view will be reversed.

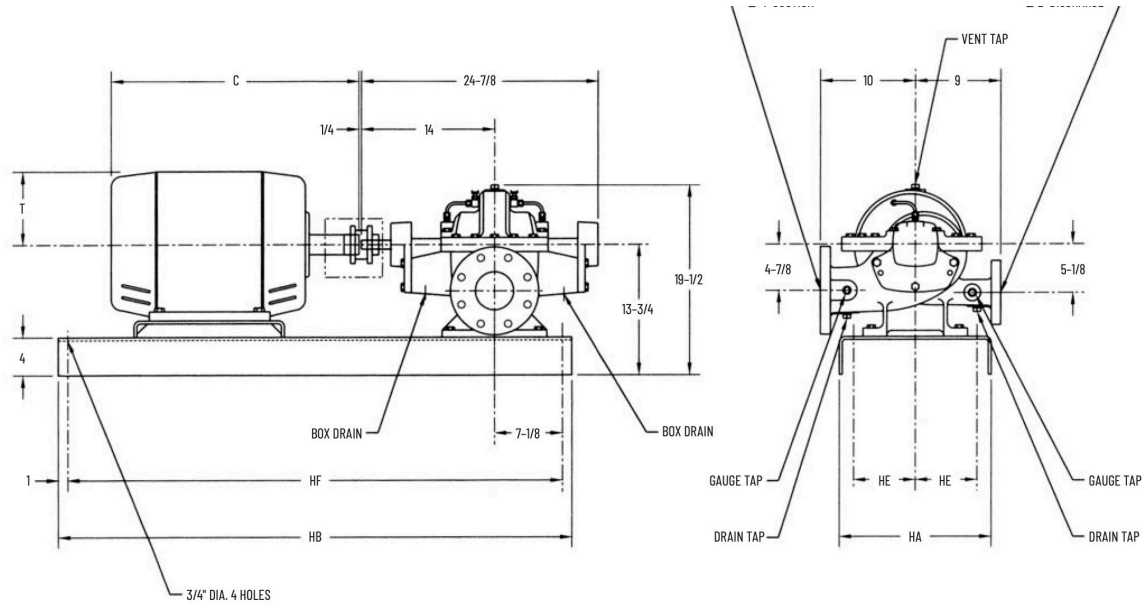
Bases are designed to be completely filled with grout.

Structural steel bases are standard for motor frames above 445T.

Not for construction, installation, or application purposes unless certified. Dimensions shown may vary due to normal manufacturing tolerances.

TYPICAL SPECIFICATIONS

SETTING PLAN 2" 2873A BENT FORM BASE



CLOCKWISE ROTATION SHOWN

UNIT DIMENSIONS						
MOTOR FRAME SIZE	BASE				MOTOR	
	HA	HB	HE	HF	C	T
145T	16	42	6-1/2	40	12-5/8	3-5/8
182T	16	42	6-1/2	40	13-3/4	4-3/4
184T	16	42	6-1/2	40	14-3/4	4-3/4
213T	16	42	6-1/2	40	16	5-1/8
215T	16	42	6-1/2	40	17-1/2	5-1/8
254T	16	48	6-1/2	46	20-5/8	6-3/8
256T	16	48	6-1/2	46	22-3/8	6-3/8

UNIT DIMENSIONS						
MOTOR FRAME SIZE	BASE				MOTOR	
	HA	HB	HE	HF	C	T
284TS	16	48	6-1/2	46	22-1/8	7
284T	16	48	6-1/2	46	23-1/2	7
286TS	16	48	6-1/2	46	23-5/8	7
286T	16	48	6-1/2	46	25	7
324TS	20	54	8-1/2	52	24-5/8	8
324T	20	54	8-1/2	52	26-1/8	8

NOTES

All flanges are standard 125# ANSI drilling. Optional 250# ANSI flanges are available.

All dimensions are in inches unless noted.

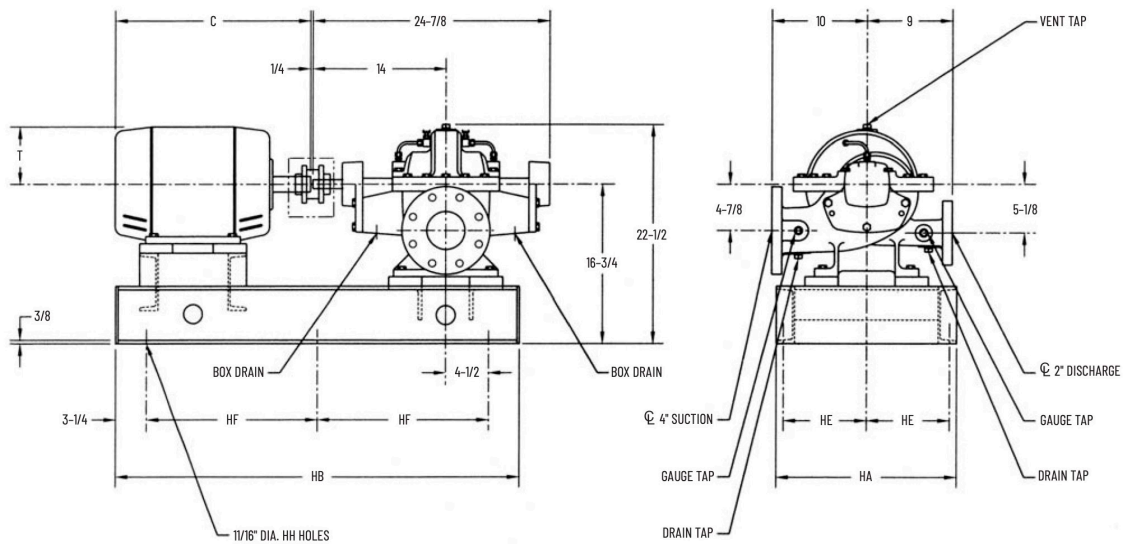
Rotation is always viewed from the driver end. For C.C.W. rotation, suction and discharge positions will be on opposite sides of that shown above and dimensions in the end view will be reversed.

Bases are designed to be completely filled with grout.

Not for construction, installation, or application purposes unless certified. Dimensions shown may vary due to normal manufacturing tolerances.

TYPICAL SPECIFICATIONS

SETTING PLAN 2" 2873 STRUCTURAL BASE



CLOCKWISE ROTATION SHOWN

UNIT DIMENSIONS

MOTOR FRAME SIZE	BASE					MOTOR	
	HA	HB	HE	HF	HH	C	T
145T	19	36-1/2	8-3/4	30	4	12-5/8	3-5/8
182T	19	36-1/2	8-3/4	30	4	13-3/4	4-3/4
184T	19	36-1/2	8-3/4	30	4	14-3/4	4-3/4
213T	19	42-1/2	8-3/4	36	4	16	5-1/8
215T	19	42-1/2	8-3/4	36	4	17-1/2	5-1/8
254T	19	42-1/2	8-3/4	36	4	20-5/8	6-3/8
256T	19	48-1/2	8-3/4	21	6	22-3/8	6-3/8

UNIT DIMENSIONS

MOTOR FRAME SIZE	BASE					MOTOR	
	HA	HB	HE	HF	HH	C	T
284TS	19	48-1/2	8-3/4	21	6	22-1/8	7
284T	19	48-1/2	8-3/4	21	6	23-1/2	7
286TS	19	48-1/2	8-3/4	21	6	23-5/8	7
286T	19	48-1/2	8-3/4	21	6	25	7
324TS	19	48-1/2	8-3/4	21	6	24-5/8	8
324T	19	48-1/2	8-3/4	21	6	26-1/8	8

NOTES

All flanges are standard 125# ANSI drilling. Optional 250# ANSI flanges are available.

All dimensions are in inches unless noted.

Rotation is always viewed from the driver end. For C.C.W. rotation, suction and discharge positions will be on opposite sides of that shown above and dimensions in the end view will be reversed.

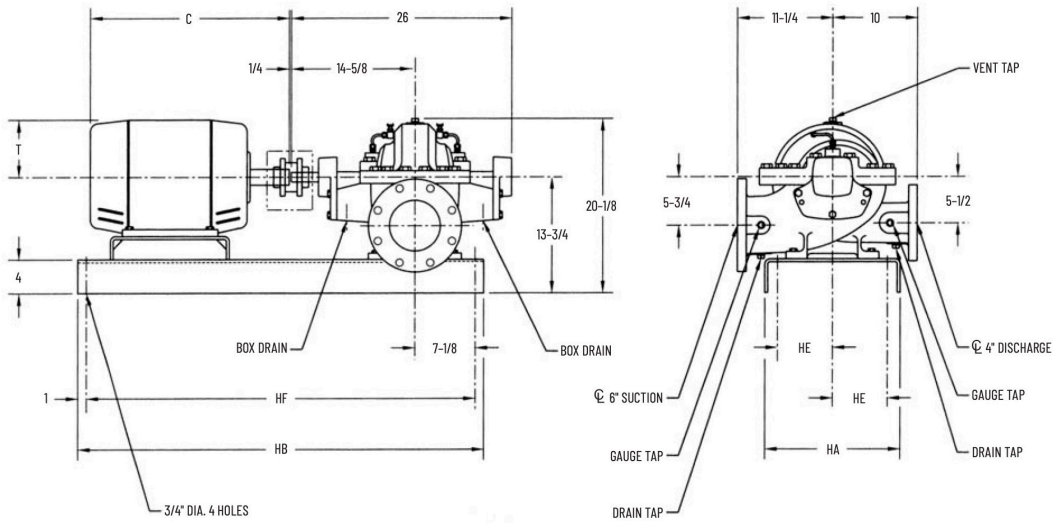
Bases are designed to be completely filled with grout.

Only one HF is space used (145T-254T).

Not for construction, installation, or application purposes unless certified. Dimensions shown may vary due to normal manufacturing tolerances.

TYPICAL SPECIFICATIONS

SETTING PLAN 4" 2873A BENT FORM BASE



CLOCKWISE ROTATION SHOWN

UNIT DIMENSIONS						
MOTOR FRAME SIZE	BASE				MOTOR	
	HA	HB	HE	HF	C	T
143T	16	42	6-1/2	40	11-5/8	3-5/8
145T	16	42	6-1/2	40	12-5/8	3-5/8
182T	16	42	6-1/2	40	13-3/4	4-3/4
184T	16	42	6-1/2	40	14-3/4	4-3/4
213T	16	42	6-1/2	40	16	5-1/8
215T	16	42	6-1/2	40	17-1/2	5-1/8
254T	16	48	6-1/2	46	20-5/8	6-3/8
256T	16	48	6-1/2	46	22-3/8	6-3/8
284TS	16	48	6-1/2	46	22-1/8	7
284T	16	48	6-1/2	46	23-1/2	7

UNIT DIMENSIONS						
MOTOR FRAME SIZE	BASE				MOTOR	
	HA	HB	HE	HF	C	T
286TS	16	48	6-1/2	46	23-5/8	7
286T	16	48	6-1/2	46	25	7
324TS	18	54	7-1/2	52	24-5/8	8
324T	18	54	7-1/2	52	26-1/8	8
326TS	18	54	7-1/2	52	26-1/8	8
326T	18	54	7-1/2	52	27-5/8	8
364TS	18	54	7-1/2	52	26-5/8	9-1/4
364T	18	54	7-1/2	52	28-3/4	9-1/4
365TS	18	54	7-1/2	52	27-5/8	9-1/4
365T	18	54	7-1/2	52	29-3/4	9-1/4

NOTES

All flanges are standard 125# ANSI drilling. Optional 250# ANSI flanges are available.

All dimensions are in inches unless noted.

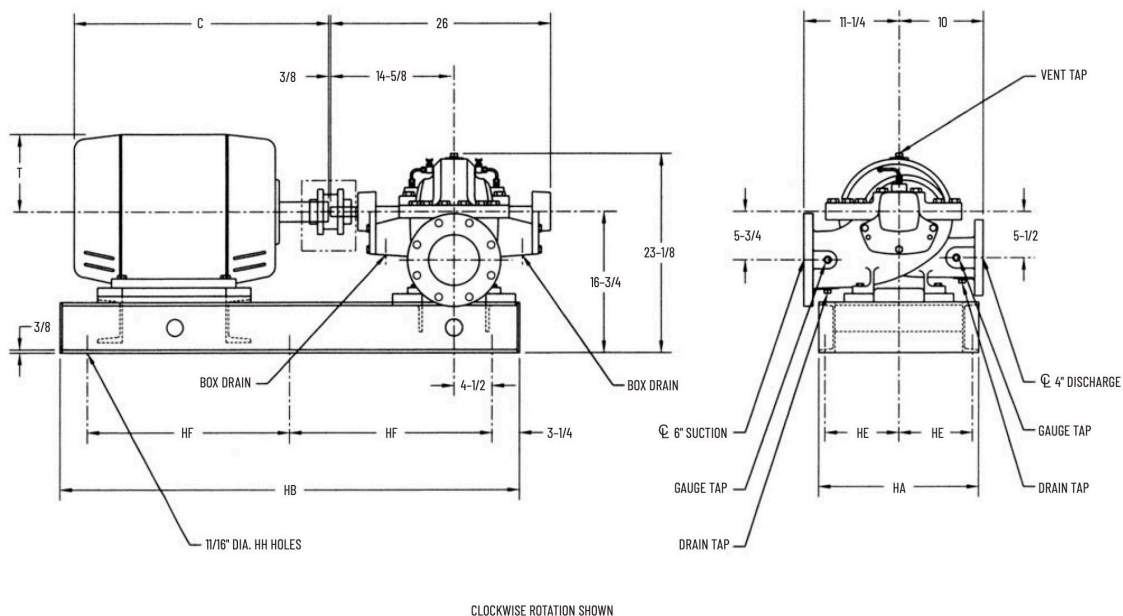
Rotation is always viewed from the driver end. For C.C.W. rotation, suction and discharge positions will be on opposite sides of that shown above and dimensions in the end view will be reversed.

Bases are designed to be completely filled with grout.

Not for construction, installation, or application purposes unless certified. Dimensions shown may vary due to normal manufacturing tolerances.

TYPICAL SPECIFICATIONS

SETTING PLAN 4" 2873 OPTIONAL STRUCTURAL BASE



UNIT DIMENSIONS							
MOTOR FRAME SIZE	BASE					MOTOR	
	HA	HB	HE	HF	HH	C	T
143T	19	36-1/2	8-3/4	36	4	11-5/8	3-5/8
145T	19	36-1/2	8-3/4	36	4	12-5/8	3-5/8
182T	19	42-1/2	8-3/4	36	4	13-3/4	4-3/4
184T	19	42-1/2	8-3/4	36	4	14-3/4	4-3/4
213T	19	48-1/2	8-3/4	36	4	16	5-1/8
215T	19	48-1/2	8-3/4	36	4	17-1/2	5-1/8
254T	19	48-1/2	8-3/4	21	6	20-5/8	6-3/8
256T	19	48-1/2	8-3/4	21	6	22-3/8	6-3/8
284TS	19	48-1/2	8-3/4	21	6	22-1/8	7
284T	19	48-1/2	8-3/4	21	6	23-1/2	7

UNIT DIMENSIONS							
MOTOR FRAME SIZE	BASE					MOTOR	
	HA	HB	HE	HF	HH	C	T
286TS	19	48-1/2	8-3/4	21	6	23-5/8	7
286T	19	48-1/2	8-3/4	21	6	25	7
324TS	19	48-1/2	8-3/4	21	6	24-5/8	8
324T	19	48-1/2	8-3/4	21	6	26-1/8	8
326TS	19	48-1/2	8-3/4	21	6	26-1/8	8
326T	19	48-1/2	8-3/4	21	6	27-5/8	8
364TS	25	54-1/2	11-3/4	21	6	26-5/8	9-1/4
364T	25	54-1/2	11-3/4	21	6	28-3/4	9-1/4
365TS	25	54-1/2	11-3/4	24	6	27-5/8	9-1/4
365T	25	54-1/2	11-3/4	24	6	29-3/4	9-1/4

NOTES

All flanges are standard 125# ANSI drilling. Optional 250# ANSI flanges are available.

All dimensions are in inches unless noted.

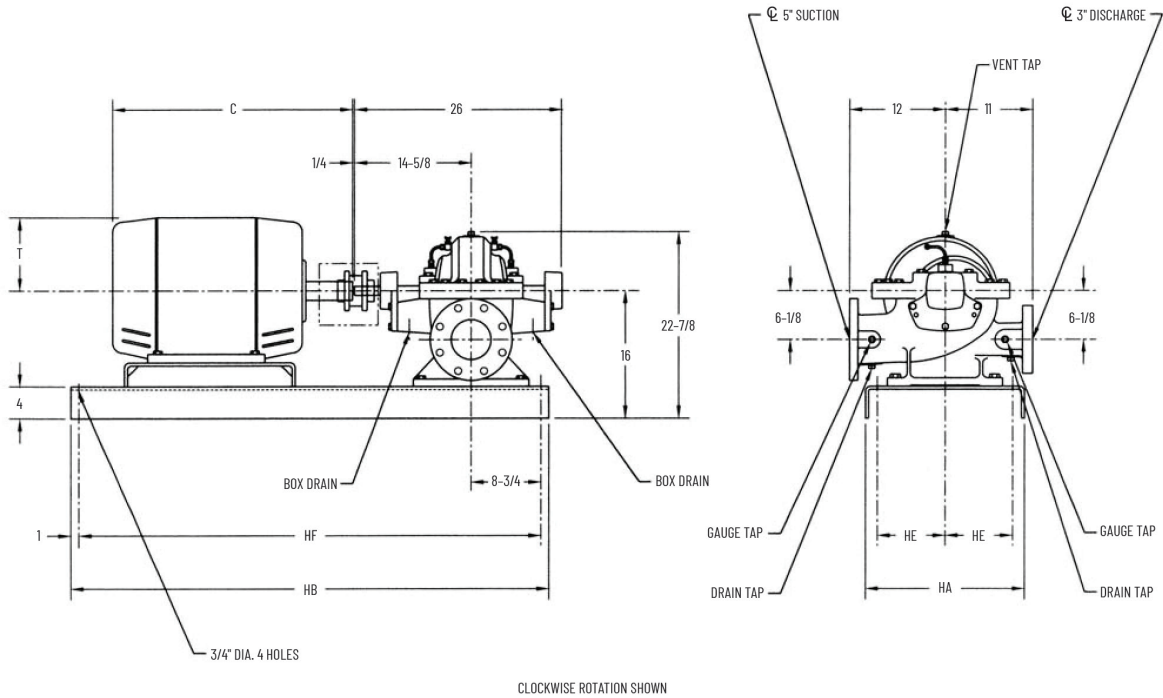
Rotation is always viewed from the driver end. For C.C.W. rotation, suction and discharge positions will be on opposite sides of that shown above and dimensions in the end view will be reversed.

Bases are designed to be completely filled with grout.

Not for construction, installation, or application purposes unless certified. Dimensions shown may vary due to normal manufacturing tolerances.

TYPICAL SPECIFICATIONS

SETTING PLAN 3" 2874C BENT FORM BASE



UNIT DIMENSIONS						
MOTOR FRAME SIZE	BASE				MOTOR	
	HA	HB	HE	HF	C	T
145T	16	42	6-1/2	40	12-5/8	3-5/8
182T	16	42	6-1/2	40	13-3/4	4-3/4
184T	16	42	6-1/2	40	14-3/4	4-3/4
213T	16	42	6-1/2	40	16	5-1/8
215T	16	42	6-1/2	40	17-1/2	5-1/8
254T	16	48	6-1/2	46	20-5/8	6-3/8
256T	16	48	6-1/2	46	22-3/8	6-3/8
284TS	20	54	8-1/2	52	22-1/8	7
284T	20	54	8-1/2	52	23-1/2	7
286TS	20	54	8-1/2	52	23-5/8	7

UNIT DIMENSIONS						
MOTOR FRAME SIZE	BASE				MOTOR	
	HA	HB	HE	HF	C	T
286T	20	54	8-1/2	52	25	7
324TS	20	54	8-1/2	52	24-5/8	8
324T	20	54	8-1/2	52	26-1/8	8
326TS	20	54	8-1/2	52	26-1/8	8
326T	20	54	8-1/2	52	27-5/8	8
364TS	20	54	8-1/2	52	26-5/8	9-1/4
364T	20	54	8-1/2	52	28-3/4	9-1/4
365TS	20	54	8-1/2	52	27-5/8	9-1/4
365T	20	54	8-1/2	52	29-3/4	9-1/4

NOTES

All flanges are standard 125# ANSI drilling. Optional 250# ANSI flanges are available.
 All dimensions are in inches unless noted.

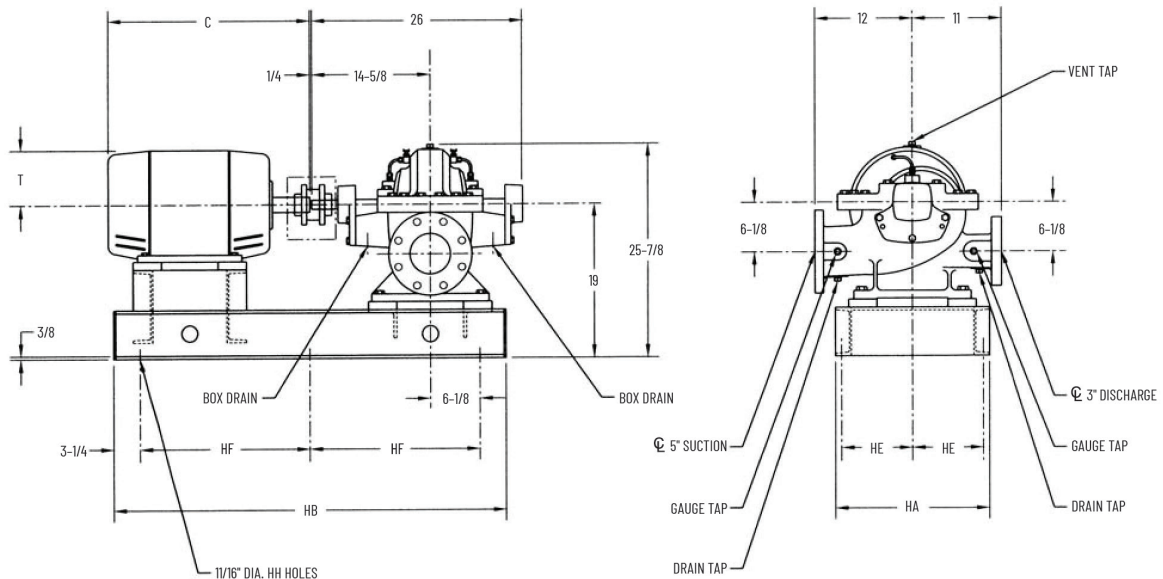
Rotation is always viewed from the driver end. For C.C.W. rotation, suction and discharge positions will be on opposite sides of that shown above and dimensions in the end view will be reversed.

Bases are designed to be completely filled with grout.

Not for construction, installation, or application purposes unless certified. Dimensions shown may vary due to normal manufacturing tolerances.

TYPICAL SPECIFICATIONS

SETTING PLAN 3" 2874C OPTIONAL STRUCTURAL BASE



CLOCKWISE ROTATION SHOWN

UNIT DIMENSIONS							
MOTOR FRAME SIZE	BASE					MOTOR	
	HA	HB	HE	HF	HH	C	T
145T	19	42-1/2	8-3/4	36	4	12-5/8	3-5/8
182T	19	42-1/2	8-3/4	36	4	13-3/4	4-3/4
184T	19	42-1/2	8-3/4	36	4	14-3/4	4-3/4
213T	19	42-1/2	8-3/4	36	4	16	5-1/8
215T	19	42-1/2	8-3/4	36	4	17-1/2	5-1/8
254T	19	42-1/2	8-3/4	21	6	20-5/8	6-3/8
256T	19	48-1/2	8-3/4	21	6	22-3/8	6-3/8
284TS	19	48-1/2	8-3/4	21	6	22-1/8	7
284T	19	48-1/2	8-3/4	21	6	23-1/2	7
286TS	19	48-1/2	8-3/4	21	6	23-5/8	7

UNIT DIMENSIONS							
MOTOR FRAME SIZE	BASE					MOTOR	
	HA	HB	HE	HF	HH	C	T
286T	19	48-1/2	8-3/4	21	6	25	7
324TS	19	48-1/2	8-3/4	21	6	24-5/8	8
324T	19	48-1/2	8-3/4	21	6	26-1/8	8
326TS	19	48-1/2	8-3/4	21	6	26-1/8	8
326T	19	54-1/2	8-3/4	24	6	27-5/8	8
364TS	25	48-1/2	11-3/4	21	6	26-5/8	9-1/4
364T	25	54-1/2	11-3/4	24	6	28-3/4	9-1/4
365TS	25	54-1/2	11-3/4	24	6	27-5/8	9-1/4
365T	25	54-1/2	11-3/4	24	6	29-3/4	9-1/4

NOTES

All flanges are standard 125# ANSI drilling. Optional 250# ANSI flanges are available.

All dimensions are in inches unless noted.

Rotation is always viewed from the driver end. For C.C.W. rotation, suction and discharge positions will be on opposite sides of that shown above and dimensions in the end view will be reversed.

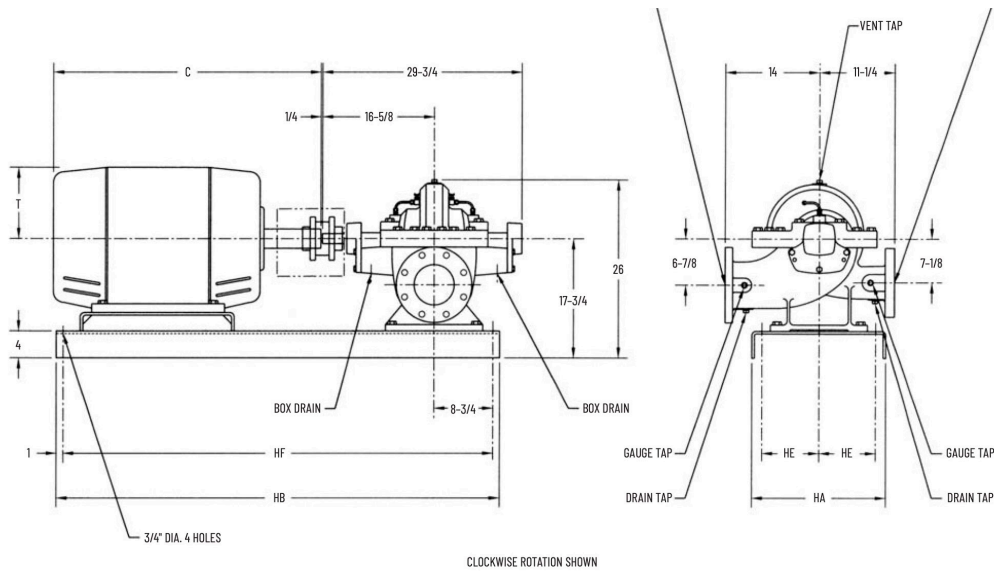
Bases are designed to be completely filled with grout.

Only one HF is space used (145T-254T).

Not for construction, installation, or application purposes unless certified. Dimensions shown may vary due to normal manufacturing tolerances.

TYPICAL SPECIFICATIONS

SETTING PLAN 4" 2876A & C BENT FORM BASE



UNIT DIMENSIONS						
MOTOR FRAME SIZE	BASE				MOTOR	
	HA	HB	HE	HF	C	T
184T	16	42	6-1/2	40	14-3/4	4-3/4
213T	16	48	6-1/2	46	16	5-1/8
215T	16	48	6-1/2	46	17-1/2	5-1/8
254T	20	54	8-1/2	52	20-5/8	6-3/8
256T	20	54	8-1/2	52	22-3/8	6-3/8
284TS	20	54	8-1/2	52	22-1/8	7
284T	20	54	8-1/2	52	23-1/2	7
286TS	20	54	8-1/2	52	23-5/8	7
286T	20	54	8-1/2	52	25	7
324TS	20	54	8-1/2	52	24-5/8	8
324T	20	54	8-1/2	52	26-1/8	8
326TS	20	54	8-1/2	52	26-1/8	8
326T	20	54	8-1/2	52	27-5/8	8

UNIT DIMENSIONS						
MOTOR FRAME SIZE	BASE				MOTOR	
	HA	HB	HE	HF	C	T
364TS	20	60	8-1/2	58	26-5/8	9-1/4
364T	20	60	8-1/2	58	28-3/4	9-1/4
365TS	20	60	8-1/2	58	27-5/8	9-1/4
365T	20	60	8-1/2	58	29-3/4	9-1/4
404TS	24	66	10-1/2	64	29-5/8	10-1/4
404T	24	66	10-1/2	64	32-5/8	10-1/4
405TS	24	66	10-1/2	64	31-1/8	10-1/4
405T	24	66	10-1/2	64	34-1/8	10-1/4
444TS	24	66	10-1/2	64	34-1/8	11-1/4
444T	24	66	10-1/2	64	37-7/8	11-1/4
445TS	24	66	10-1/2	64	36-1/8	11-1/4
445T	24	66	10-1/2	64	39-7/8	11-1/4

NOTES

All flanges are standard 125# ANSI drilling. Optional 250# ANSI flanges are available.

All dimensions are in inches unless noted.

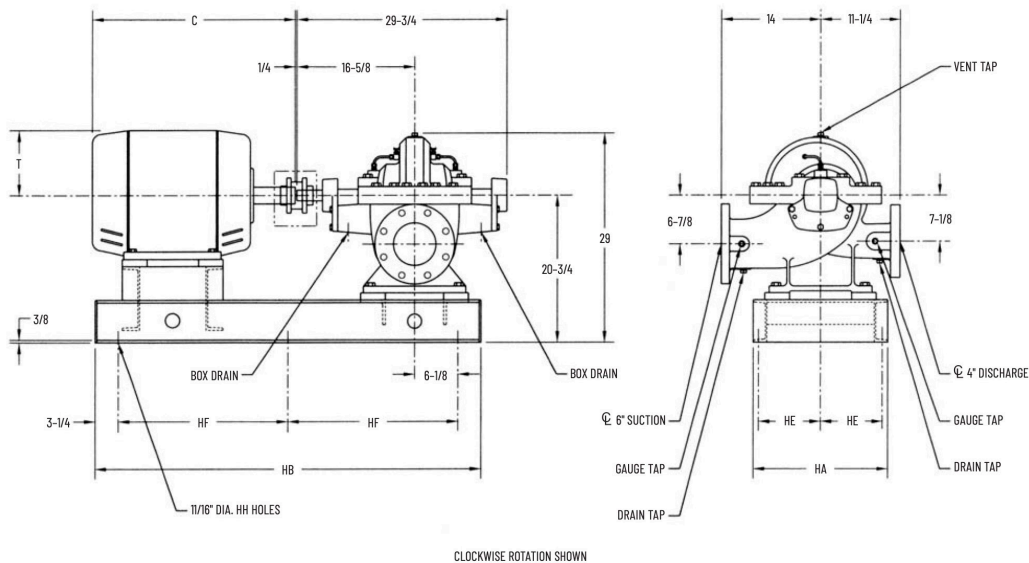
Rotation is always viewed from the driver end. For C.C.W. rotation, suction and discharge positions will be on opposite sides of that shown above and dimensions in the end view will be reversed.

Bases are designed to be completely filled with grout.

Not for construction, installation, or application purposes unless certified. Dimensions shown may vary due to normal manufacturing tolerances.

TYPICAL SPECIFICATIONS

SETTING PLAN 4" 2876A & C BENT FORM BASE



UNIT DIMENSIONS							
MOTOR FRAME SIZE	BASE					MOTOR	
	HA	HB	HE	HF	HH	C	T
184T	19	42-1/2	8-3/4	36	4	14-3/4	4-3/4
213T	19	42-1/2	8-3/4	36	4	16	5-1/8
215T	19	48-1/2	8-3/4	21	6	17-1/2	5-1/8
254T	19	48-1/2	8-3/4	21	6	20-5/8	6-3/8
256T	19	48-1/2	8-3/4	21	6	22-3/8	6-3/8
284TS	19	48-1/2	8-3/4	21	6	22-1/8	7
284T	19	48-1/2	8-3/4	21	6	23-1/2	7
286TS	19	48-1/2	8-3/4	21	6	23-5/8	7
286T	19	54-1/2	8-3/4	24	6	25	7
324TS	19	54-1/2	8-3/4	24	6	24-5/8	8
324T	19	54-1/2	8-3/4	24	6	26-1/8	8
326TS	19	54-1/2	8-3/4	24	6	26-1/8	8
326T	19	54-1/2	8-3/4	24	6	27-5/8	8

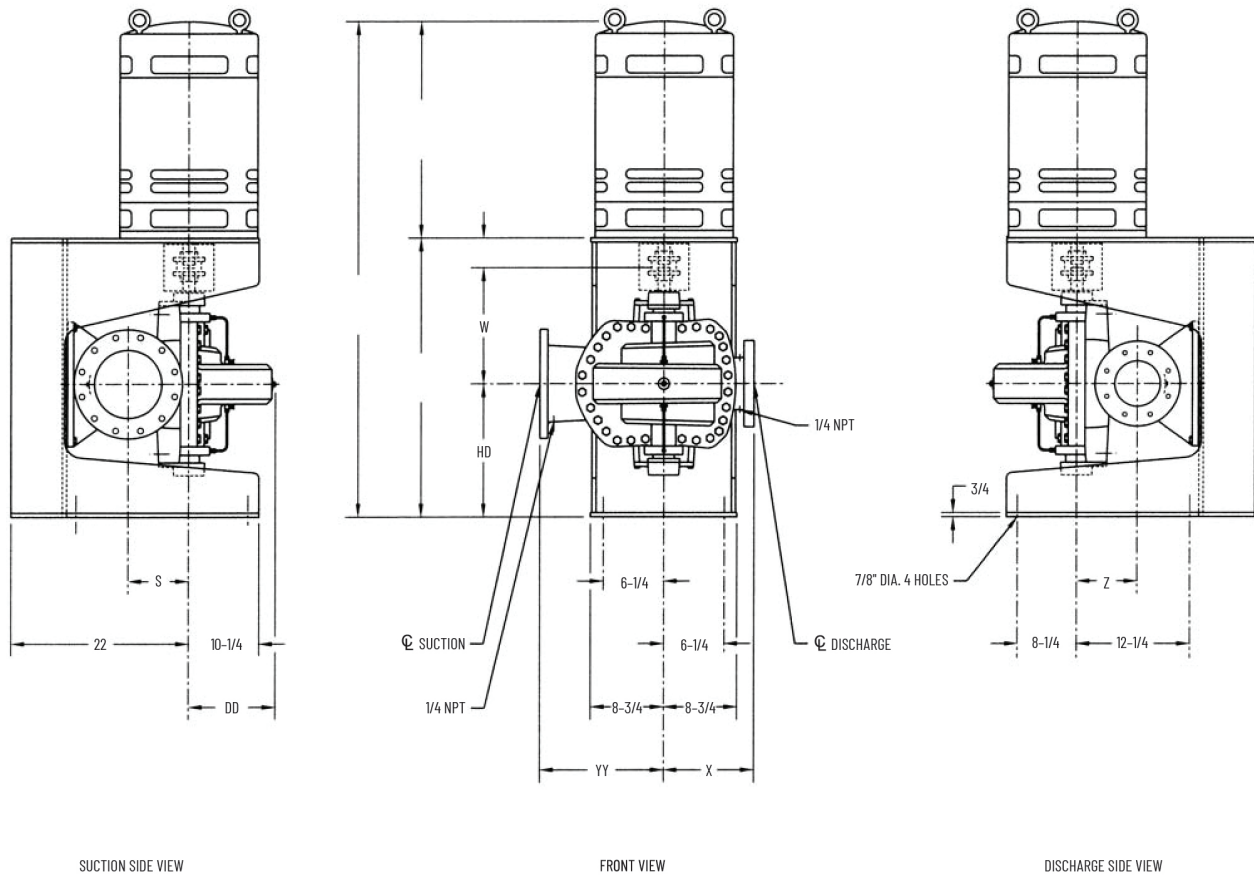
UNIT DIMENSIONS							
MOTOR FRAME SIZE	BASE					MOTOR	
	HA	HB	HE	HF	HH	C	T
364TS	25	54-1/2	11-3/4	24	6	26-5/8	9-1/4
364T	25	54-1/2	11-3/4	24	6	28-3/4	9-1/4
365TS	25	54-1/2	11-3/4	24	6	27-5/8	9-1/4
365T	25	60-1/2	11-3/4	27	6	29-3/4	9-1/4
404TS	25	54-1/2	11-3/4	24	6	29-5/8	10-1/4
404T	25	60-1/2	11-3/4	27	6	32-5/8	10-1/4
405TS	25	54-1/2	11-3/4	24	6	31-1/8	10-1/4
405T	25	60-1/2	11-3/4	27	6	34-1/8	10-1/4
444TS	25	60-1/2	11-3/4	27	6	34-1/8	11-1/4
444T	25	60-1/2	11-3/4	27	6	37-7/8	11-1/4
445TS	25	60-1/2	11-3/4	27	6	36-1/8	11-1/4
445T	25	66-1/2	11-3/4	30	6	39-7/8	11-1/4

NOTES

- All flanges are standard 125# ANSI drilling. Optional 250# ANSI flanges are available.
- All dimensions are in inches unless noted.
- Rotation is always viewed from the driver end. For C.C.W. rotation, suction and discharge positions will be on opposite sides of that shown above and dimensions in the end view will be reversed.
- Bases are designed to be completely filled with grout.
- Only one HF is space used (145T-254T).
- Not for construction, installation, or application purposes unless certified. Dimensions shown may vary due to normal manufacturing tolerances.

TYPICAL SPECIFICATIONS

SETTING PLAN 3" 2843



CLOCKWISE ROTATION SHOWN

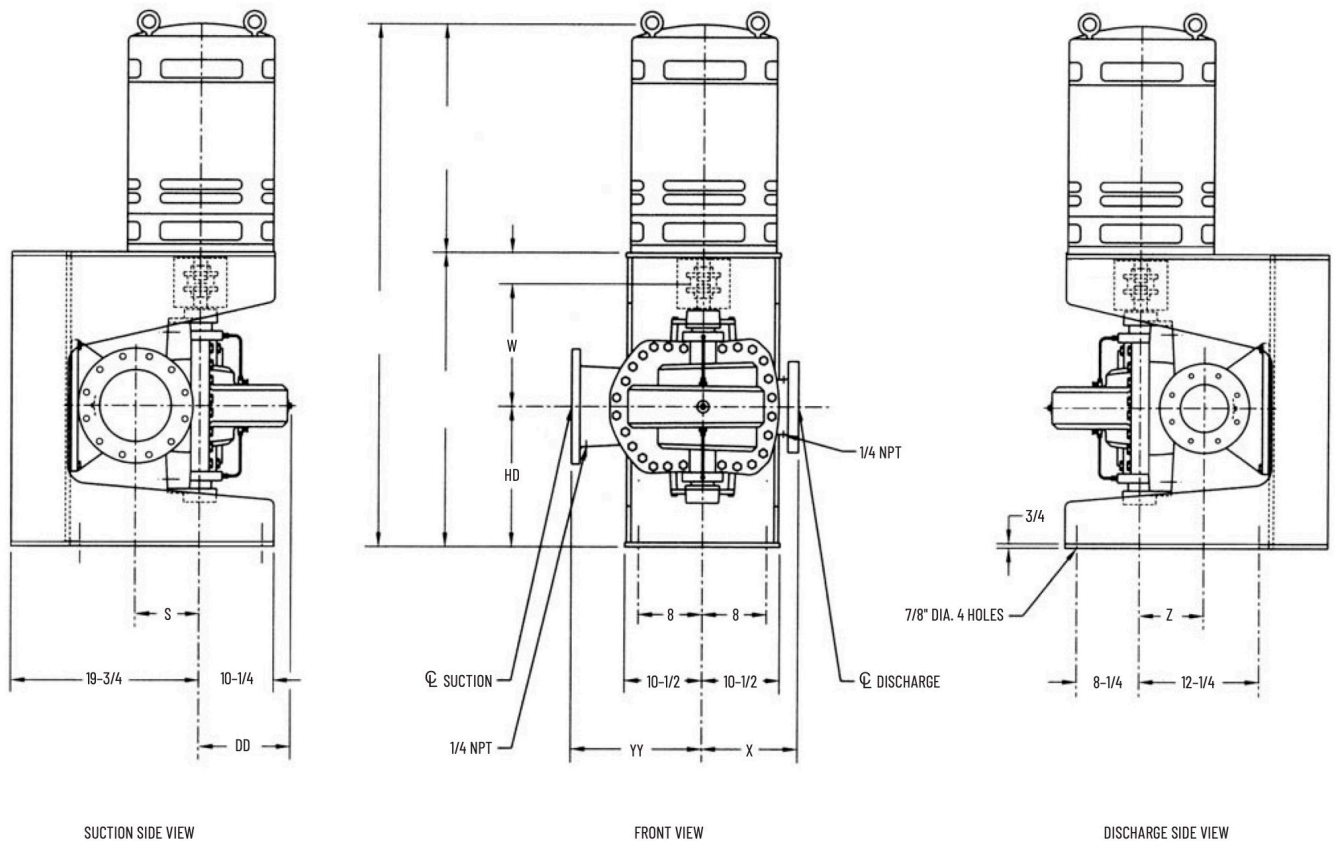
PUMP	SUCT	DISCH	S	W	X	Z	DD	HD	YY
3"2843	5	3	6	16-1/4	12	7-3/4	9-1/8	14-7/8	14-5/8

NOTES

- All flanges are standard 125# ANSI drilling. Optional 250# ANSI flanges are available.
- All dimensions are in inches unless noted.
- Rotation is always viewed from the driver end. For C.C.W. rotation, suction and discharge positions will be on opposite sides of that shown above and dimensions in the end view will be reversed.
- Bases are designed to be completely filled with grout.
- Not for construction, installation, or application purposes unless certified. Dimensions shown may vary due to normal manufacturing tolerances.

TYPICAL SPECIFICATIONS

SETTING PLAN 4" 2843 VERTICAL MOUNT



CLOCKWISE ROTATION SHOWN

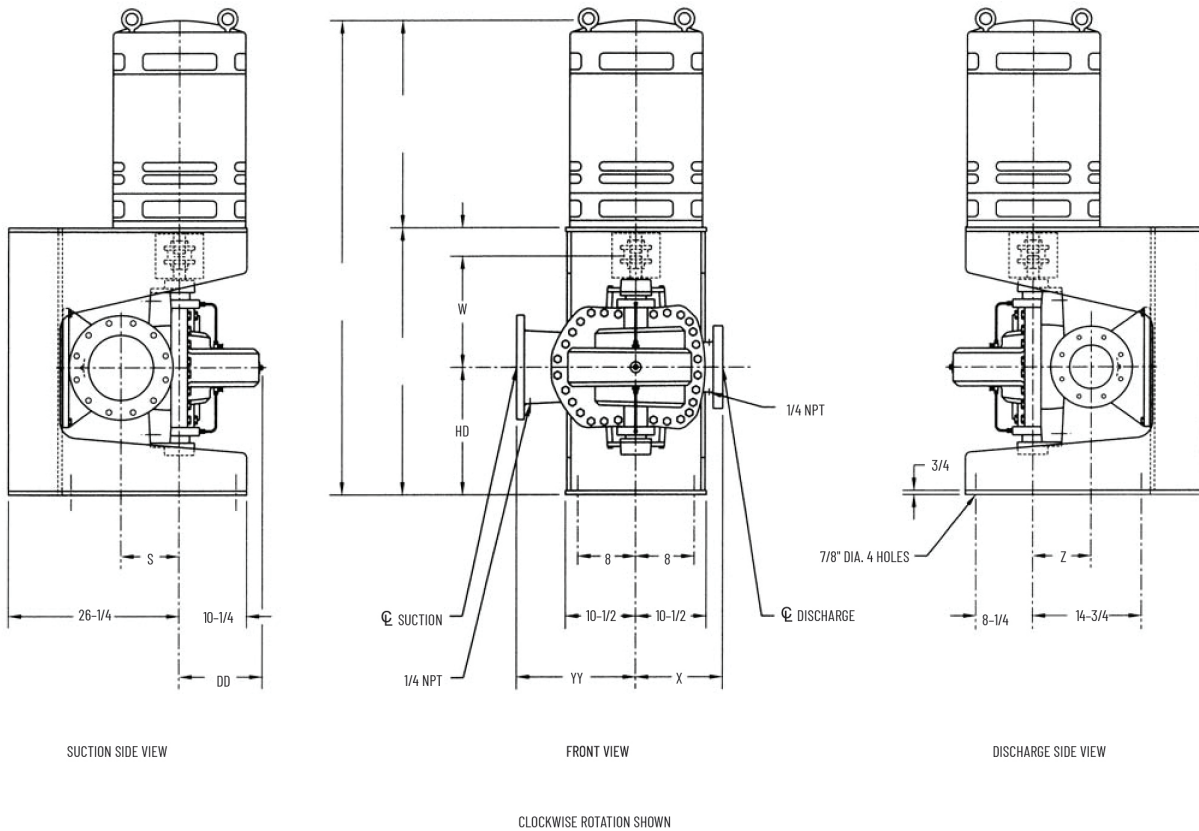
PUMP	SUCT	DISCH	S	W	X	Z	DD	HD	YY
4"2843	6	4	6-7/8	17-5/8	13	8-3/8	9-7/8	16	15-1/4

NOTES

- All flanges are standard 125# ANSI drilling. Optional 250# ANSI flanges are available.
- All dimensions are in inches unless noted.
- Rotation is always viewed from the driver end. For C.C.W. rotation, suction and discharge positions will be on opposite sides of that shown above and dimensions in the end view will be reversed.
- Bases are designed to be completely filled with grout.
- Not for construction, installation, or application purposes unless certified. Dimensions shown may vary due to normal manufacturing tolerances.

TYPICAL SPECIFICATIONS

SETTING PLAN 5" 2843, 5" 2844, 6" 2841 VERTICAL MOUNT



PUMP	SUCT	DISCH	S	W	X	Z	DD	HD	YY
5"2843	8	5	8-1/4	17-5/8	13-1/2	9-3/4	10-13/16	18	17-1/4
6"2894	8	5	8-1/4	18-3/4	11-3/4	7	8	16-7/8	14-1/2
6"2841	8	6	8-1/4	18-7/8	12-3/4	7-3/4	8-7/8	16-3/4	16

NOTES

All flanges are standard 125# ANSI drilling. Optional 250# ANSI flanges are available.

All dimensions are in inches unless noted.

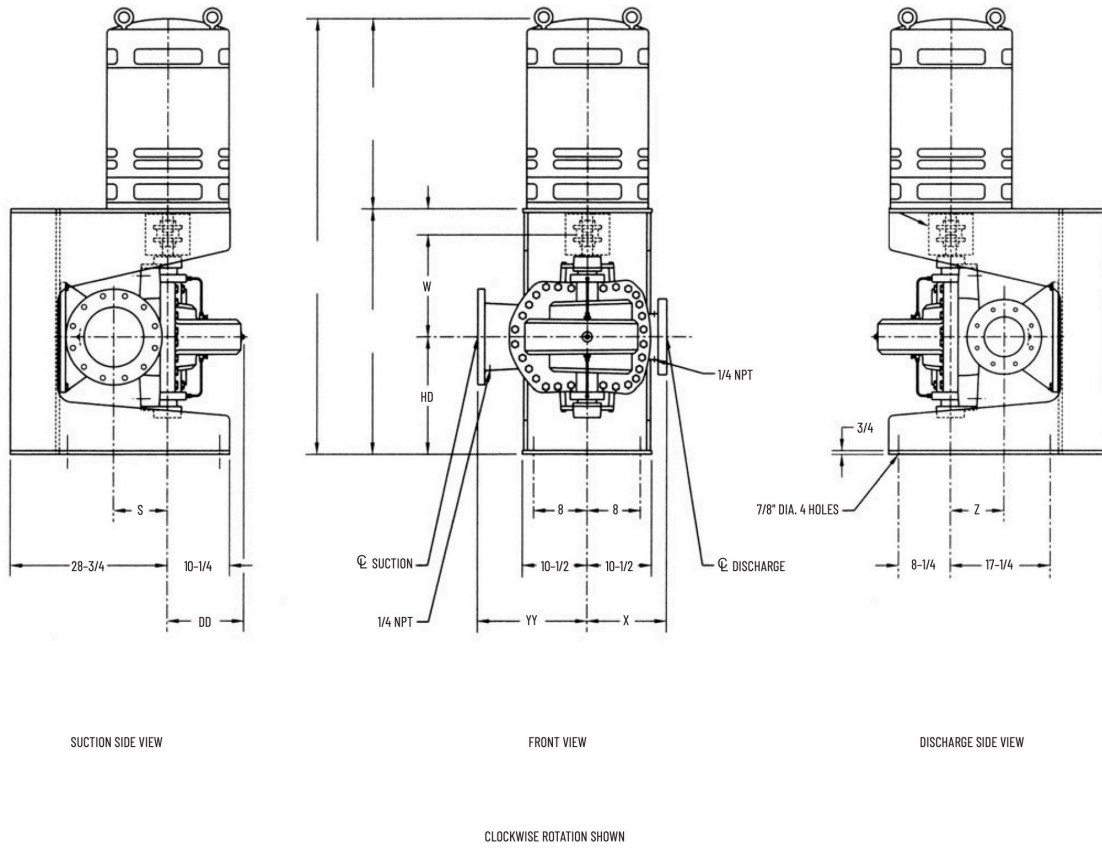
Rotation is always viewed from the driver end. For C.C.W. rotation, suction and discharge positions will be on opposite sides of that shown above and dimensions in the end view will be reversed.

Bases are designed to be completely filled with grout.

Not for construction, installation, or application purposes unless certified. Dimensions shown may vary due to normal manufacturing tolerances.

TYPICAL SPECIFICATIONS

SETTING PLAN 6" 2842, 6" 2843, 8" 2841, 8" 2842 VERTICAL MOUNT



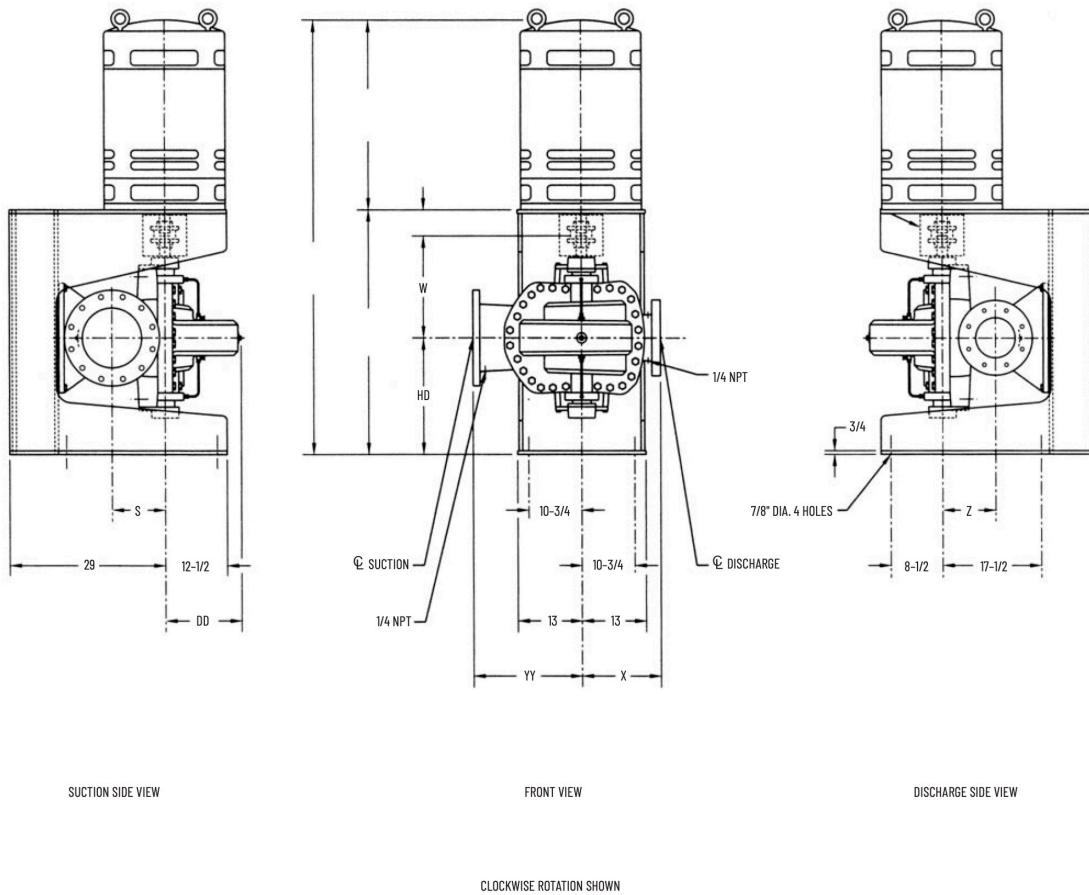
PUMP	SUCT	DISCH	S	W	X	Z	DD	HD	YY
6"2842	10	6	9-3/8	18-3/8	13-1/2	9	10-1/8	19-3/4	17-1/4
6"2843	10	6	9-3/8	20-1/8	13-1/4	10	11-5/16	18	18
8"2841	10	8	9-3/8	18-7/8	13-3/4	8-5/8	9-3/4	19-1/4	19
8"2842	10	8	9-3/8	20-1/8	14-3/8	9-3/8	10-3/4	18	19

NOTES

- All flanges are standard 125# ANSI drilling. Optional 250# ANSI flanges are available.
- All dimensions are in inches unless noted.
- Rotation is always viewed from the driver end. For C.C.W. rotation, suction and discharge positions will be on opposite sides of that shown above and dimensions in the end view will be reversed.
- Bases are designed to be completely filled with grout.
- Not for construction, installation, or application purposes unless certified. Dimensions shown may vary due to normal manufacturing tolerances.

TYPICAL SPECIFICATIONS

SETTING PLAN 6" 2844 & 2845 VERTICAL MOUNT



PUMP	SUCT	DISCH	S	W	X	Z	DD	HD	YY
6"2844	10	6	9-3/8	20-1/8	16	11-3/4	13-1/4	21	20
6"2845	10	6	9-3/8	22-5/8	18	12-1/8	14-9/16	18-1/2	22

NOTES

All flanges are standard 125# ANSI drilling. Optional 250# ANSI flanges are available.

All dimensions are in inches unless noted.

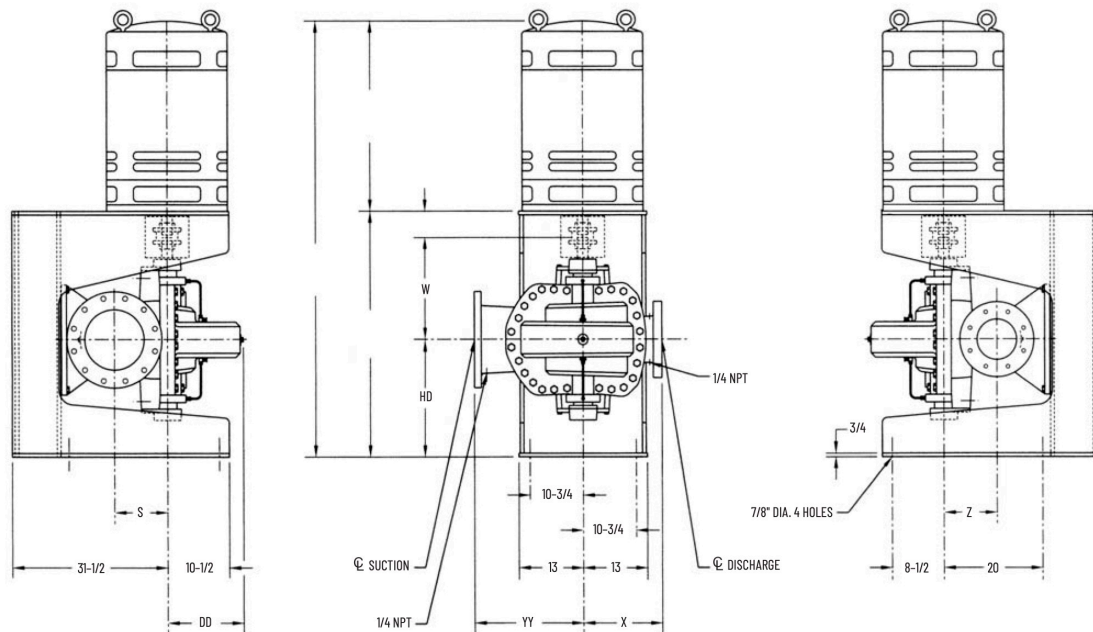
Rotation is always viewed from the driver end. For C.C.W. rotation, suction and discharge positions will be on opposite sides of that shown above and dimensions in the end view will be reversed.

Bases are designed to be completely filled with grout.

Not for construction, installation, or application purposes unless certified. Dimensions shown may vary due to normal manufacturing tolerances.

TYPICAL SPECIFICATIONS

SETTING PLAN 8" 2843 & 2844 VERTICAL MOUNT



SUCTION SIDE VIEW

FRONT VIEW

DISCHARGE SIDE VIEW

CLOCKWISE ROTATION SHOWN

PUMP	SUCT	DISCH	S	W	X	Z	DD	HD	YY
8"2843	12	8	10-3/4	20-1/2	16	10-3/4	12-1/8	23-1/4	22
8"2844	12	8	10-3/4	23-3/4	16	12-1/2	14-1/2	20	22

NOTES

All flanges are standard 125# ANSI drilling. Optional 250# ANSI flanges are available.

All dimensions are in inches unless noted.

Rotation is always viewed from the driver end. For C.C.W. rotation, suction and discharge positions will be on opposite sides of that shown above and dimensions in the end view will be reversed.

Bases are designed to be completely filled with grout.

Not for construction, installation, or application purposes unless certified. Dimensions shown may vary due to normal manufacturing tolerances.

TYPICAL SPECIFICATIONS

2800 HORIZONTAL SPLIT CASE PUMPS DATA

	2821A		2822A			2822X	2823A & 2823C					
Pump Size(Discharge Size)	6	8	6	8	10	6	3	4	5	6	8	10
Suction Size	8	10	10	10	14	6	5	6	8	10	12	14
Nominal Wear Ring Clearance	.010	.010	.010	.010	.010	.010	.010	.010	.010	.010	.010	.010
Impeller:												
Weight (lbs.)	35.00	44.00	36.00	50.00	66.66	35.00	41.00	50.50	53.00	68.00	71.40	84.00
Eye Area(sq. inches)	44.40	64.54	48.06	57.50	103.40	25.52	16.40	24.72	35.80	55.50	80.20	108.56
WR2(lb-ft2)	2.7	3.4	5.0	6.0	8.1	3.8	6.6	6.9	8.2	11.5	12.7	14.4
Sphere Size(Maximum)	.88	.88	1.06	1.25	1.00	.437	.54	.63	.95	1.00	1.12	1.22
Shaft Diameter:												
at Impeller	2.000	2.000	2.000	2.500	2.500	1.500	1.500	2.000	2.000	2.500	2.500	3.000
at Sleeve	1.995	1.995	1.995	2.495	2.495	1.495	1.995	1.995	1.995	2.495	2.495	2.995
at Thrust/Radial Bearings	1.575	1.575	1.575	2.166	2.166	1.181	1.181	1.575	1.575	2.166	2.166	2.559
at Coupling	1.500	1.500	1.500	2.125	2.125	1.125	1.125	1.500	1.500	2.125	2.125	2.500
Center to Center of Bearings	28.03	27.32	26.31	29.02	30.7	22.13	22.76	24.81	24.81	28.20	29.00	30.56
Thrust Bearing No.	208	208	208	211	211	6206	206	208	208	211	211	213
Radial Bearing No.	208	208	208	211	211	6206	206	208	208	211	211	213
Sealing Box:												
Packing:												
Size	.562	.562	.562	.625	.625	.500	.375x.438	.562	.562	.625	.625	.688
No. Rings per Box	5	5	5	5	5	5	5	5	5	5	5	5
Seal Cage Width	1.000	1.000	1.000	1.125	1.125	.750	.675	1.000	1.000	1.125	1.125	1.250
Mechanical Seal:												
Type(Standard)	(2)	(2)	(2)	(2)	(2)	(2)	(2)	(2)	(2)	(2)	(2)	(2)
Recommended flush water:												
Pressure	(3)	(3)	(3)	(3)	(3)	(3)	(3)	(3)	(3)	(3)	(3)	(3)
Flow(GPM)	1/2-1	1/2-1	1/2-1	1/2-1	1/2-1	1/2-1	1/2-1	1/2-1	1/2-1	1/2-1	1/2-1	1/2-1
Sleeve OD	2.500	2.500	2.500	3.000	3.000	2.000	2.000	2.500	2.500	3.000	3.000	3.500
Box ID	3.562	3.562	3.562	4.188	4.188	2.935	2.938	3.562	3.562	4.188	4.188	4.813
Box Depth	3.875	3.875	3.875	4.313	4.313	3.25	2.940	3.875	3.875	4.313	4.313	4.750
Box Inlet Tap Size(NPT)	1/4	1/4	1/4	1/4	1/4	1/4	1/4	1/4	1/4	1/4	1/4	1/4
Casing Drain Tap Size(NPT)	1/2	1/2	1/2	1/2	1/2	1/2	1/2	1/2	1/2	1/2	1/2	1/2
Vent/Priming Tap Size(NPT)	1/2	1/2	1/2	1/2	1/2	1/2	1/2	1/2	1/2	1/2	1/2	1/2
Gauge Tap Size												
Suction & Discharge(NPT)	1/4	1/4	1/4	1/4	1/4	1/4	1/4	1/4	1/4	1/4	1/4	1/4

TYPICAL SPECIFICATIONS

	2821A		2822A		2822X	2823A & 2823C						
Max. Hydrostatic Test, PSI:												
Cast Iron (standard)	450	375	375	450	375	375	375	375	375	450	375	375
Ductile Iron	600	522	492	600	516	500	555	475	487	600	519	570
Bronze	262	225	213	262	213	300	246	210	210	262	216	231
Alloy 20	488	435	411	488	429	500	462	495	405	488	432	474
Steel or 316 Stainless	600	600	600	600	600	500	600	600	600	600	600	600
Max. Casing Working, PSI (5):												
Cast Iron (standard)	300	250	250	300	250	200	250	250	250	300	250	250
Ductile Iron	400	348	328	400	344	270	370	300	325	400	346	380
Bronze	175	150	142	175	142	175	164	140	140	175	144	154
Alloy 20	325	290	274	325	286	270	308	330	270	325	288	316
Steel or 316 Stainless	400	400	400	400	400	270	400	400	400	400	400	400
Max. Operating Temp. °F(5)												
Standard Construction	160	160	160	160	160	160	160	160	160	160	160	160
Max. Operating Speed (RPM)	1800	1800	1800	1800	1800	1800	1800	2300	2300	2300	2300	1800
Nominal Casing Thickness	.59	.63	.62	.74	.81	.38	.56	.57	.63	.67	.75	.81
Anchor Bolt Size, recommended	1/2	1/2	1/2	1/2	1/2	1/2	1/2	1/2	1/2	1/2	1/2	1/2
Shipping Weight, Basic Pump Only (lbs.)	742	1012	898	1041	1680	554	530	765	830	1054	1480	

TYPICAL SPECIFICATIONS

2800 HORIZONTAL SPLIT CASE PUMPS DATA

	2824A & 2824C				2825A & C		2825A	2873A		2874A & C		2876A & C	
Pump Size (Discharge Size)	5	6	8	10	6A	10C	10	2	4	4	5	4	5
Suction Size	8	10	12	14	10	12	16	4	6	6	8	6	8
Nominal Wear Ring Clearance	.010	.010	.010	.010	.010	.010	.010	.010	.010	.010	.010	.010	.010
Impeller:													
Weight (lbs.)	55.64	100.00	104.00	121.30	99.40	105.50	170.00	14.55	22.50	26.50	27.00	37.00	50.00
Eye Area (sq. inches)	33.28	60.30	81.28	128.40	62.64	97.62	172.62	8.64	15.90	25.08	34.24	25.02	42.12
WR2 (lb-ft ²)	2580	3960	4889	5450	4320	5262	62.01	87.0	153	298	259	522	721
Sphere Size (Maximum)	.63	.79	.83	1.41	.88	1.12	1.50	.38	.50	.50	.86	.50	.75
Shaft Diameter:													
at Impeller	2.500	2.500	3.000	3.000	3.000	3.000	3.000	1.250	1.500	2.000	2.500	2.000	3.000
at Sleeve	2.495	2.495	2.995	2.995	2.995	2.995	2.995	1.245	1.495	1.995	2.495	1.995	2.995
at Thrust/Radial Bearings	2.166	2.166	2.559	2.559	2.559	2.559	2.559/ 2.756	1.000	1.187	1.575	2.166	1.575	2.559
at Coupling	2.125	2.125	2.500	2.500	2.500	2.500	2.750	.938	1.125	1.500	2.125	1.500	2.125
Center to Center of Bearings	25.69	28.18	32.00	37.04	29.78	32.00	34.65	18.46	19.50	22.81	25.46	22.81	27.53
Thrust Bearing No.	211	211	213	213	213	213	213	205	206	208	211	208	213
Radial Bearing No.	211	211	213	213	213	213	214	205	206	208	211	208	213
Sealing Box:													
Packing:													
Size	.625	.625	.688	.688	.688	.688	.625	.375	.375X.438	.562	.625	.562	.688
No. Rings per Box	5	5	5	5	5	5	5	5	5	5	5	5	5
Seal Cage Width	1.125	1.124	1.250	1.250	1.250	1.250	1.250	.750	.750	1.000	1.125	1.000	1.250
Mechanical Seal:													
Type (Standard)	(2)	(2)	(2)	(2)	(2)	(2)	(2)	(2)	(2)	(2)	(2)	(2)	(2)
Recommended flush water													
Pressure	(3)	(3)	(3)	(3)	(3)	(3)	(3)	(3)	(3)	(3)	(3)	(3)	(3)
Flow (GPM)	1/2-1	1/2-1	1/2-1	1/2-1	1/2-1	1/2-1	1/2-1	1/2-1	1/2-1	1/2-1	1/2-1	1/2-1	1/2-1
Sleeve OD	3.000	3.000	3.500	3.500	3.500	3.500	3.500	1.630	2.000	2.500	3.000	2.500	3.500
Box ID	4.188	4.188	4.813	4.813	4.813	4.813	4.813	2.440	2.938	3.562	4.188	3.562	4.813
Box Depth	4.313	4.313	4.750	4.750	4.750	4.750	4.750	2.940	2.880	3.875	4.313	3.875	4.750
Box Inlet Tap Size (NPT)	1/4	1/4	1/4	1/4	1/4	1/4	1/4	1/4	1/4	1/4	1/4	1/4	1/4
Casing Drain Tap size (NPT)	1/2	1/2	1/2	1/2	1/2	1/2	1/2	1/2	1/2	1/2	1/2	1/2	1/2
Vent/Priming Tap Size (NPT)	1/2	1/2	1/2	1/2	1/2	1/2	1/2	1/2	1/2	1/2	1/2	1/2	1/2

TYPICAL SPECIFICATIONS

	2824A & 2824C				2825A & C		2825A	2873A	2874A & C	2876A & C			
Gauge Tap Size													
Suction & Discharge (NPT)	1/4	1/2	1/4	1/4	1/4	1/2	1/4	1/4	1/4	1/4	1/4	1/4	1/4
Max. Hydrostatic Test, PSI:													
Cast Iron (standard)	450	412	412	375	450	412	450	450	375	375	450	450	450
Ductile Iron	585	600	562	570	600	562	600	600	N/A	501	600	600	600
Bronze	248	255	225	231	267	225	262	338	N/A	234	285	282	262
Alloy 20	488	495	488	477	550	488	600	600	N/A	417	535	525	600
Steel or 316 Stainless	585	600	562	600	600	562	600	600	N/A	600	600	600	600
Max. Casing Working, PSI (5):													
Cast Iron (standard)	300	275	275	250	300	275	300	300	200	250	300	300	300
Ductile Iron	390	400	375	380	400	375	400	400	N/A	334	400	400	400
Bronze	165	170	150	154	178	150	175	225	N/A	156	190	188	175
Alloy 20	325	330	325	318	367	325	400	400	N/A	278	357	350	400
Steel or 316 Stainless	390	400	375	400	400	375	400	400	N/A	400	400	400	400
Max. Casing Working, PSI (5):													
Cast Iron (standard)	250	250	250	250	250	250	250	250	250	250	250	250	250
Bronze Alloy 20, Steel, 316 SS	400	400	400	400	400	400	400	400	N/A	400	400	400	400
Max. Operating Speed (RPM)	2300	2100	2100	1800	2100	1800	1900	3600	3600	3600	3600	3600	3600
Nominal Casing Thickness	.69	.79	.83	.88	.95	.83	1.00	.44	.375	.46	.56	.50	.56
Anchor Bolt Size, recommended	1/2	1/2	1/2	1/2	1/2	1/2	1/2	1/2	1/2	1/2	1/2	1/2	1/2
Shipping Weight, Basic Pump Only (lbs.)	1053	1440	1955	2538	1743	1955	1955	268	288	485	732	871	906

TYPICAL SPECIFICATIONS

TYPE	HORIZONTAL, SINGLE STAGE, SPLIT CASE
Rotation	CW or CCW facing coupling end
Casing	Axially split, 2-piece doweled, single volute (double volute on 10" 2824A) with integral bearing shoulders
	175 PSI working pressure 250 and 400 PSI working pressure (optional)
Nozzles	Flanged and integral with lower casing
	Side suction and side discharge
	125 lb. ANSI drilling, suction and discharge 250 lb. ANSI drilling, suction and discharge (optional)
Impeller	Double suction, radial flow, Francis vane, enclosed type
Wear Rings	Integral impeller rings and replaceable casing rings
	Replaceable impeller rings (optional)
Shaft	Reversible for either rotation
	Double extended (optional)
Shaft Sleeve	Sleeve and nut with addition of "O" ring seal and key drive
Stuffing Box	Two inner rings packing, water seal cage, and three outer rings packing
	Mechanical seals (optional)
Gland	Two piece, split interlocking two bolt type
	Heavy duty, one piece, two bolt type
	Solid one piece, two or four bolt for mechanical seals (optional)
Stuffing Box Injection	External piping with control valve
Bearing Housing	Fully replaceable bolted and doweled in place with covers
	Oil lubricated with lip seals (optional)
Bearings	Identical, single row deep groove ball bearings at thrust and radial location
Lubrication	Grease with alemite fittings
	Oil lubrication with constant level oiler (optional)
Auxiliary Connections	Drain taps (NPT) in bearing shoulders
	Drain taps (NPT) in suction and discharge
	Vent/priming tap (NPT) in top of volute
	Stuffing box tap (NPT)
	Suction and discharge gauge taps (NPT) (optional) Suction vent taps
Baseplates	Bent form (1)
	Structural steel (2) (optional)
	Drip tray (optional)
Couplings	Flexible sleeve type
	Steelflex, Gear, Disc (optional)
Coupling Guard	Two-piece, closed, bracket mounted
	One-piece, closed, base mounted (optional)

1. Bent form baseplate construction is standard through a size 445 motor frame. Motor frames larger than a 445 will utilize a structural steel base as standard.

2. Structural steel base construction is standard for motors larger than a 445 frame.

TYPICAL SPECIFICATIONS

TYPE	HORIZONTAL, SINGLE STAGE, SPLIT CASE
Type	Vertically mounted, single-stage, split case through 200 HP
Rotation	CW or CCW facing coupling end
Casing	Axially split, 2-piece doweled, single volute with integral bearing shoulders
	175 PSI working pressure 250 and 400 PSI working pressure (optional)
Nozzles	Flanged and integral with lower casing
	Side suction and side discharge
	125 lb. ANSI drilling, suction and discharge 250 lb. ANSI drilling, suction and discharge (optional)
Impeller	Double suction, radial flow, Francis vane, enclosed type
Wear Rings	Integral impeller rings and replaceable casing rings
	Replaceable impeller rings (optional)
Shaft	Reversible for either rotation
Shaft Sleeve	Sleeve and nut with addition of "O" ring seal and key drive
Stuffng Box	Mechanical seals
Gland	Solid one piece, two or four bolt for mechanical seals
Stuffng Box Injection	External piping with control valve
Bearing Housing	Fully replaceable bolted and doweled in place with covers, lip seals, "O" rings
Bearings	Identical, single row deep groove ball bearings at thrust and radial location
Lubrication	Grease with alemite fittings
	Drain taps (NPT) in bearing shoulders
	Drain taps (NPT) in suction and discharge
	Vent/priming tap (NPT) in top of volute Stuffng box tap (NPT) Suction and discharge gauge taps (NPT) (optional)
Baseplates	Structural steel
	Drip tray (optional)
Couplings	Flexible sleeve type
	Steelfex, Gear, Disc (optional)
Coupling Guard	Two-piece, closed, bracket mounted

TYPICAL SPECIFICATIONS

MAXIMUM OPERATING TEMPERATURES

The following guidelines may be used when determining maximum working temperature construction parameters.

TEMPERATURE RANGE	CONSTRUCTION
32 to 160 degrees F (0 to 71 degrees C)	Cast iron or ductile iron casings Standard stuffing box Standard bearings Standard grease lubrication
161 to 250 degrees F (72 degrees to 121 degrees C)	Cast iron or ductile iron casings Standard stuffing box Standard bearings High temperature grease lubrication *Contact Application Engineering for applications above 212 degrees F (100 degrees C)
251 to 350 degrees F (122 to 177 degrees F)	Ductile iron casings Injection/cooling stuffing box High temperature grease Bearing housing cooling *Contact Application Engineering
Above 350 degrees F (Above 177 degrees C)	Ductile iron casings *Contact Application Engineering for special construction

For materials of construction other than cast iron or ductile iron, contact Application Engineering for review.

TYPICAL SPECIFICATIONS

	PUMP SIZE (DISCHARGE SIZE)	EICIENCY DERATE (1)			DISCHARGE HEAD DERATE (2)		
		CASING MATERIAL: STEEL OR STAINLESS STEEL	Impeller Material		Casing Material: Steel or Stainless Steel	Impeller Material	
			Cast Iron	Steel or Stainless Steel		Cast Iron	Steel or Stainless Steel
2821A	6	-2	0	-2	-3%	0	-3%
	8	-3	0	-3	-4%	0	-4%
2822A	6	-2	0	-2	-3%	0	-3%
	8	-2	0	-2	-3%	0	-3%
	10	-3	0	-2	-4%	0	-3%
2822X	6	-2	0	-2	-3%	0	-3%
2823A & 2823C	3	-3	0	-2	-4%	0	-3%
	4	-3	0	-2	-4%	0	-3%
	5	-2	0	-2	-3%	0	-3%
	6	-2	0	-2	-3%	0	-3%
	8	-3	0	-2	-4%	0	-4%
	10	-3	0	-2	-4%	0	-3%
2824A & 2824C	5	-3	N/A	N/A	-4%	N/A	N/A
	6	-2	0	-2(3)	-3%	0	-3%(3)
	8	-3	0	-3	-4%	0	-4%
	10	-3	0	-2	-4%	0	-3%
2825A & 2825C	6	-3	0	-3	-4%	0	-4%
	10	-2	0	-2	-3%	0	-3%
2873A	2	-3	0	-3	-4%	0	-4%
	4	-3	0	-3	-4%	0	-4%
2874A & 2874C	3	-3	-2	-3	-4%	-3%	-4%
	4	-3	0	-2	-4%	0	-3%
	5	-3	0	-2	-4%	0	-3%
2876A & 2876C	4	-3	0	-2	-4%	0	-3%
	5	-3	0	-2	-4%	0	-3%

1. Reduce standard materials of construction eiciency by the number of points indicated for that material.
2. Reduce standard materials of construction discharge head by the percentage indicated for that material. Refer to Materials of Construction for complete parts material details.
N/A = Not available.
3. 6"2824C has an eiciency reduction of -3 points and a -4% discharge head reduction for steel or stainless steel impeller material.

TYPICAL SPECIFICATIONS

HORIZONTAL MOUNTED STANDARD FITTED PUMPS

DESCRIPTION	MATERIAL	SPECIFICATION (1)
Impeller	Bronze	B584 AL836 or AL875 (2)
Casing, Lower Half	Cast Iron	A48 CL30
Casing, Upper Half	Cast Iron	A48 CL30
Shaft	Steel	A108 GR1141 or A322 GR4140 or A1S1 C1141 (3)
Ring Half, Seal Water	PTFE Coating	PTFE Coating, Virgin
Sleeve, Shaft	Bronze	B505 AL932
Wear Ring, Casing	Bronze	B505 AL932
Gland, Interlocking	Cast Iron	A48 CL30
Washer, Stuffing Box	Stainless Steel	AISI 304
Key, Impeller	Steel	A108 GR1018
O-ring	Rubber	Neoprene
Gasket, Casing	Sheet Packing	D1170 P3313B
Housing, Thrust Bearing	Cast Iron	A48 CL30
Housing, Radial Bearing	Cast Iron	A48 CL30
Cover, Bearing Housing	Cast Iron	A48 CL30
Bearing, Radial (6)	Steel	Commercial
O-ring, Shaft Sleeve	Buna-N	Commercial
Bearing, Thrust (8)	Steel	Commercial
Snap-ring, Bearing	Steel	SAE 1075
Packing	Synthetic Packing, Graphite impregnated	—
Nut, Shaft Sleeve	Bronze	B505 AL932
Key, Coupling	Steel	A108 GR1018
OPTIONS TO BASIC PUMPS		
Wear Ring, Impeller	Bronze	B505 AL932 (4)
Gland, Solid	Cast Iron	A48 CL30
O-ring, Gland	Buna-N	Commercial
O-ring, Oil Lube Cover	Buna-N	Commercial
Mechanical Seal	—	(3)(5)

1. All material designations are ASTM unless otherwise noted, and are for description of chemistry only.
2. Manufacturer's option to furnish AL836.
3. Manufacturer's option.
4. Pumps supplied with optional separate impeller wear rings are field replaceable. Standard impeller design has integral impeller wear rings which can be machined to accept the optional wear rings.
5. Bronze sleeves and solid steel glands are standard when optional mechanical seals are furnished.
6. When oil lubricated bearing construction is used, a constant level oiler provides additional reservoir to maintain the proper oil level within the housing.

TYPICAL SPECIFICATIONS

VERTICAL MOUNTED STANDARD FITTED PUMPS

DESCRIPTION	MATERIAL	SPECIFICATION (1)
Impeller	Bronze	B584 AL836 or AL875 (2)
Casing, Lower Half	Cast Iron	A48 CL30
Casing, Upper Half	Cast Iron	A48 CL30
Shaft	Steel	A108 GR1141 or A322 GR4140 or A1S1 C1141(3)
Sleeve, Shaft	Bronze	B505 AL932
Base, Fabricated	Steel	—
Wear Ring, Casing	Bronze	B505 AL932
Gland, Solid	Cast Iron	A48 CL30
O-ring, Gland	Buna-N	Commercial
Key, Impeller	Steel	A108 GR1018
Oelocetor	Rubber	Neoprene
Gasket, Casing	Sheet Packing	D1170P 3313B
Housing, Thrust Bearing	Cast Iron	A48 CL30
Housing, Radial Bearing	Cast Iron	A48 CL30
Cover, Bearing Housing	Cast Iron	A48 CL30
Bearing, Radial	Steel	Commercial
O-ring, Shaft Sleeve	Buna-N	Commercial
Bearing, Thrust	Steel	Commercial
Snap-ring, Bearing	Steel	SAE 1075
Nut, Shaft Sleeve	Bronze	B505 AL932
Key, Coupling	Steel	A108 GR1018
Mechanical Seal	—	-3
OPTIONS TO BASIC PUMPS		
Wear Ring, Impeller	Bronze	B505 AL932 (4)

1. All material designations are ASTM unless otherwise noted, and are for description of chemistry only.
2. Manufacturer's option to furnish AL836.
3. Manufacturer's option.
4. Pumps supplied with optional separate impeller wear rings are field replaceable. Standard impeller design has integral impeller wear rings which can be machined to accept the optional separate wear rings.

TYPICAL SPECIFICATIONS

2800 HORIZONTAL SPLIT CASE PUMPS DATA

OPTIONAL FITTED PUMPS

ALL IRON	DUCTILE IRON	ALL BRONZE	ZINCLESS BRONZE	CARBON STEEL	316 STAINLESS STEEL	ALLOY 20 STAINLESS STEEL
Cast Iron A48 CL30	Bronze (3) B584 AL836	Bronze (3) B584 AL836	Bronze B584 AL937	Cast Iron A48 CL30	Stainless Steel A296 CF8M	Stainless Steel A296 CN7M
Cast Iron A48 CL30	Ductile Iron A536 65-45-12	Bronze B584 AL836	Bronze B584 AL937	Steel A216 GR WC8	Stainless Steel A296 CF8M	Stainless Steel A296 CN7M
Cast Iron A48 CL30	Ductile Iron A536 65-45-12	Bronze B584 AL836	Bronze B584 AL937	Steel A216 GR WC8	Stainless Steel A296 CF8M	Stainless Steel A296 CN7M
Steel (2) A108 GR1141	Steel (2) A108 GR1141	Stainless Steel A582 416	Stainless Steel A276 316	Steel (2) A108 GR1141	Stainless Steel A276 316	Stainless Steel B473
PTFE Coating	PTFE Coating	PTFE Coating	PTFE Coating	PTFE Coating	Teflo PTFE Coating n	PTFE Coating
Stainless Steel A582 416	Bronze B505 AL932	Bronze B505 AL932	Stainless Steel A276 316	Bronze B505 AL932	Stainless Steel A276 316	Stainless Steel B473
Cast Iron A48 CL30	Bronze B505 AL932	Bronze B505 AL932	Bronze B505 AL937	Bronze B505 AL932	Stainless Steel A296 CF8M	Stainless Steel A296 CN7M
Cast Iron A48 CL30	Bronze B505 AL932	Bronze B505 AL932	Bronze B505 AL937	Bronze B505 AL932	Stainless Steel A296 CD4MCU	Stainless Steel A296 CN7M
Cast Iron A48 CL30	Cast Iron A48 CL30	Bronze B584 AL836	Bronze B584 AL937	Cast Iron A48 CL30	Stainless Steel A296 CF8M	Stainless Steel A296 CN7M
Stainless Steel 304	Stainless Steel 304	Bronze B505 AL932	Bronze B505 AL937	Steel A108 GR1015	Stainless Steel A276 316	Stainless Steel B473
Cast Iron A48 CL30	Cast Iron A48 CL30	Bronze B584 AL836	Bronze B584 AL937	Cast Iron A48 CL30	Stainless Steel A296 CF8M	Stainless Steel A296 CN7M
Buna-N Commercial	Buna-N Commercial	Buna-N Commercial	Buna-N Commercial	Buna-N Commercial	Buna-N Commercial	Buna-N Commercial
Steel A108 GR1018	Steel A108 GR1018	Stainless Steel A582 416	Stainless Steel A582 416	Steel A108 GR1018	Stainless Steel A276 316	Stainless Steel A276 316
Neoprene Commercial	Neoprene Commercial	Neoprene Commercial	Neoprene Commercial	Neoprene Commercial	Neoprene Commercial	Neoprene Commercial
Sheet Packing D1170P3313B	Sheet Packing D1170P3313B	Sheet Packing D1170P3313B	Sheet Packing D1170P3313B	Sheet Packing D1170P3313B	Sheet Packing D1170P3313B	Sheet Packing D1170P3313B
Cast Iron A48 CL30	Cast Iron A48 CL30	Cast Iron A48 CL30	Cast Iron A48 CL30	Cast Iron A48 CL30	Cast Iron A48 CL30	Cast Iron A48 CL30
Cast Iron A48 CL30	Cast Iron A48 CL30	Cast Iron A48 CL30	Cast Iron A48 CL30	Cast Iron A48 CL30	Cast Iron A48 CL30	Cast Iron A48 CL30
Cast Iron A48 CL30	Cast Iron A48 CL30	Cast Iron A48 CL30	Cast Iron A48 CL30	Cast Iron A48 CL30	Cast Iron A48 CL30	Cast Iron A48 CL30

TYPICAL SPECIFICATIONS

OPTIONAL FITTED PUMPS

ALL IRON	DUCTILE IRON	ALL BRONZE	ZINCLESS BRONZE	CARBON STEEL	316 STAINLESS STEEL	ALLOY 20 STAINLESS STEEL
Steel Commercial	Steel Commercial	Steel Commercial	Steel Commercial	Steel Commercial	Steel Commercial	Steel Commercial
Buna-N Commercial	Buna-N Commercial	Buna-N Commercial	Buna-N Commercial	Buna-N Commercial	Buna-N Commercial	Buna-N Commercial
Steel Commercial	Steel Commercial	Steel Commercial	Steel Commercial	Steel Commercial	Steel Commercial	Steel Commercial
Steel SAE 1075	Steel SAE 1075	Steel SAE 1075	Steel SAE 1075	Steel SAE 1075	Steel SAE 1075	Steel SAE 1075
Synthetic, Graphite Impregnated	Synthetic, Graphite Impregnated	Synthetic, Graphite Impregnated	Synthetic, Graphite Impregnated	Synthetic, Graphite Impregnated	Synthetic, Graphite Impregnated	Synthetic, Graphite Impregnated
Stainless Steel A582 416	Bronze B505 AL932	Bronze B505 AL932	Stainless Steel A276 316	Bronze B505 AL932	Steel A276 316	Stainless Steel B473
Steel A108 1018	Steel A108 1018	Steel A108 1018	Steel A108 1018	Steel A108 1018	Steel A108 1018	Steel A108 1018
Seal, Mechanical	Seal, Mechanical	Seal, Mechanical	Seal, Mechanical	Seal, Mechanical	Seal, Mechanical	Seal, Mechanical

1. All material designations are ASTM unless otherwise noted. For material composition only.
2. ASTM A322 GR4140 or stressproof A S C1144 may be substituted for this material.
3. Manufacturer's option to furnish bronze per B584 - AL875.



3601 Fairbanks Ave. pentair.com
Kansas City, KS 66106
Ph: 855.274.8947

All indicated Pentair trademarks and logos are property of Pentair. Third party registered and unregistered trademarks and logos are the property of their respective owners. Because we are continuously improving our products and services, Pentair reserves the right to change specifications without prior notice. Pentair is an equal opportunity employer.

©2022 Pentair. All Rights Reserved.

FM-01-5005 (11-01-22)