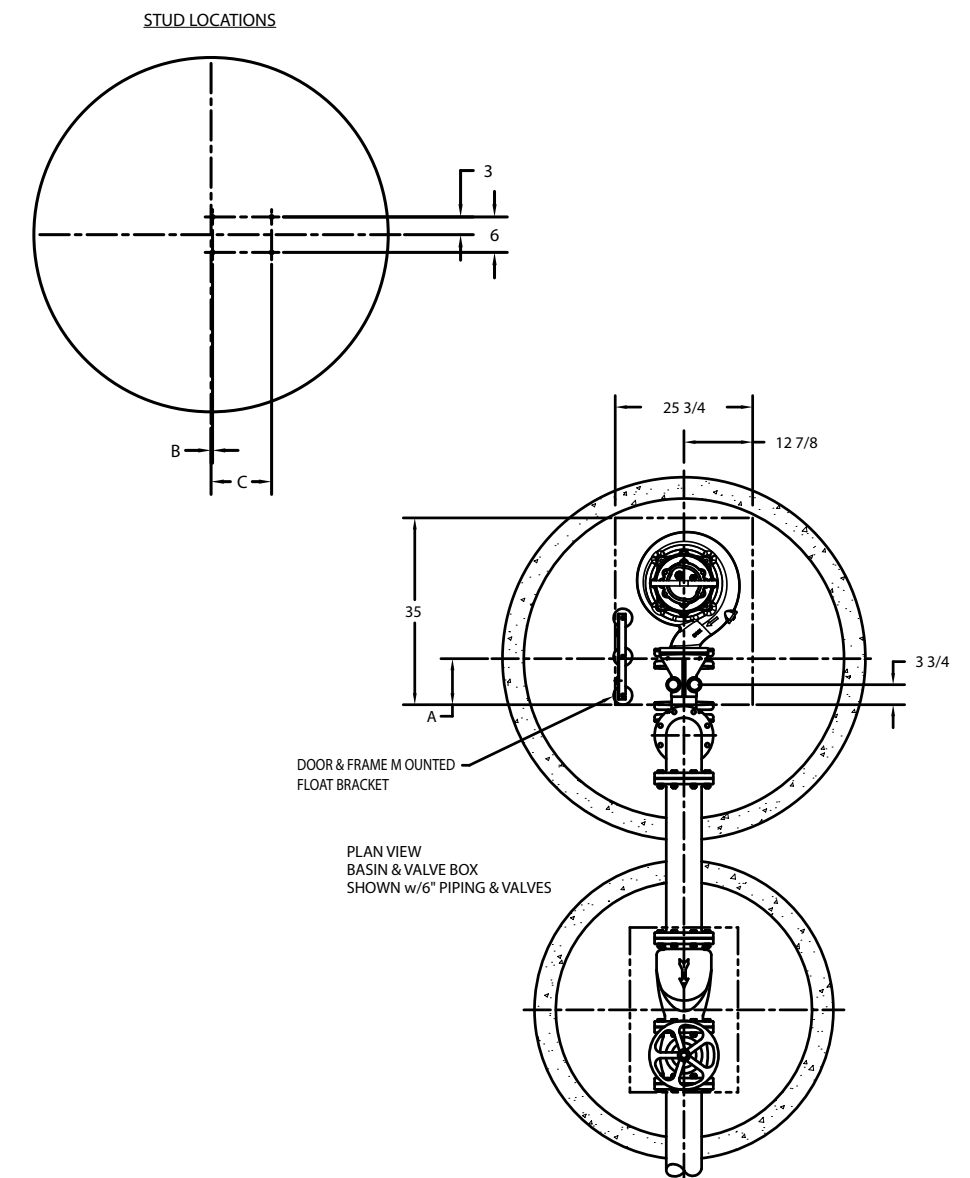
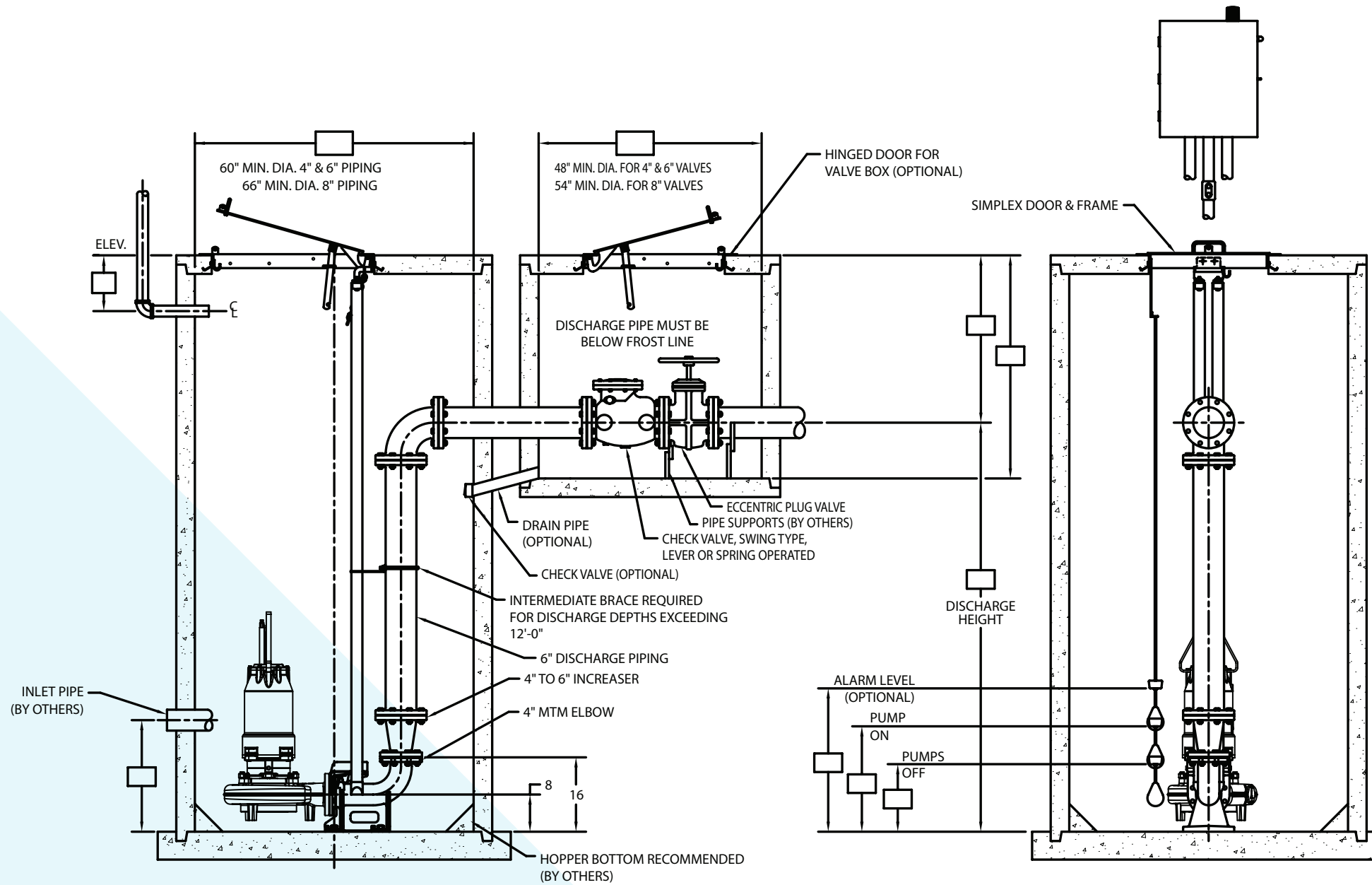


# SUBMERSIBLE SOLIDS HANDLING PUMP

## SIMPLEX 4" MTM(X)



FOR MODELS: \*3SC, 4HC, 4SD, AND 4HD

| MIN. SUMP DIA. | MIN. VALVE BOX DIA. | PIPING SIZE | A     | B  | C   |
|----------------|---------------------|-------------|-------|----|-----|
| 5' - 0"        | 4' - 0"             | 4"          | 8-5/8 | 0" | 10" |
| 5' - 0"        | 4' - 0"             | 6"          | 8-5/8 | 0" | 10" |
| 5' - 6"        | 4' - 6"             | 8"          | 8-5/8 | 0" | 10" |

\*3SC requires a 3" X 4" adapter.

1101 Myers Parkway  
Ashland, OH 44805  
Ph: 855.274.8947  
Fx: 800.426.9446

490 Pinebush Rd., Unit 4  
Cambridge, Ontario N1T 0A5, Canada  
Ph: 800.363.7867  
Fx: 888.606.5484

[pentair.com/hydromatic](http://pentair.com/hydromatic)

All indicated Pentair trademarks and logos are property of Pentair. Third party registered and unregistered trademarks and logos are the property of their respective owners.

©2024 Pentair. All Rights Reserved.

HYD12701 (01-08-24)