

MS Series

Cast Iron



The MS Series Vertical Jet Pumps are the industry standard deep well jet pumps for over-the-well "bolt-on" installations.

The MS Series Jet Pumps include the pre-plumbed external automatic regulator, pressure gauge and a pressure switch. A complete line of casing adapters to drive the 4" double pipe or 2" and 3" single pipe jet packages can be purchased separately.

APPLICATIONS

Water systems and sprinkling...for homes, farms and cottages.

SPECIFICATIONS

Body: Rugged cast iron

Pump and Motor Shaft: 416 stainless steel

Impellers: Noryl®

Diffuser: Close-grained cast iron

FEATURES

Automatic Pressure Regulator:

Faster-acting and quieter, design eliminates "hunting" for correct drive pressure. New, improved stem and guide are precisely molded to assure efficient, trouble-free performance on all deep wells.

Quality Construction: Precision-machined, close-grained cast iron pump body and base are specially treated to resist corrosion.

Noryl Impellers: Precision-molded for perfect balance, and ultra-smooth for highest performance and efficiency.

Pressure Switch: High quality. Differential and cut-in/cut-out pressure settings are adjustable.

Motor Windings: Superior insulation materials protect against excessive moisture and contaminants to ensure prolonged motor life.

Mechanical Shaft Seal: Precision-lapped and highly polished carbon-ceramic, stainless steel construction. Internal design guarantees continuous water lubrication for maximum protection.

Dustproof Cover: All electrical components are protected from dirt, dust and insects by a dustproof canopy. Ventilating air cannot contaminate vital switching components. This eliminates the most common cause of motor failure.

Balanced Rotor: Rotor is diecast under high pressures for uniform performance and greater efficiency...dynamically balanced.

Heavy-Duty Ball Bearings: Permanently lubricated sealed bearings are extensively tested to ensure extended life and smooth, quiet operation.

Pump and Motor Shaft: Stainless steel for maximum corrosion resistance; one-piece threaded shaft for positive impeller drive and alignment.

ORDERING INFORMATION

CATALOG NUMBER	HP	DESCRIPTION	MAX. PRESS. REG. SETTING	PIPE TAPPING SIZES			MOTOR VOLTAGE	APPROX. WT. LBS.
				SUCT.	DRIVE	DISCH.		
MSD	3/4	Deep Well Jet	40 PSI	1-1/4"	1"	1"	115/230	67
MSE	1	Deep Well Jet	60 PSI	1-1/4"	1-1/4"	1"	115/230	73
MSF	1-1/2	Deep Well Jet	85 PSI	1-1/4"	1-1/4"	1"	230	120
MSG	2	Deep Well Jet	95 PSI	1-1/4"	1-1/4"	1"	230	125

ADAPTER FLANGE

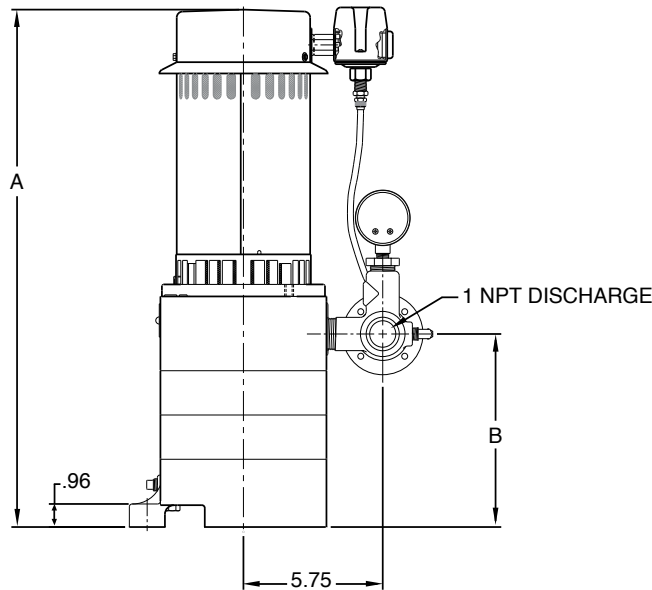
CATALOG NUMBER	DESCRIPTION	USED WITH
J216-26	1-1/4" x 1"	Offset single pipe, 4" double pipe through 3/4 HP
J216-27	1-1/4" x 1-1/4"	4" double pipe 1, 1-1/2 and 2 HP

Order pump from ordering information table above. A Jet Package should be ordered with every MS Series Pump. All installations require an appropriate size adapter flange or casing adapter if bolt-on feature is desired.

Pentair trademarks and logos are owned by Pentair plc or its affiliates. All other third party registered and unregistered trademarks and logos are the property of their respective owners.

MS Series

Cast Iron

OUTLINE DIMENSION


CAT. NO.	A	B
MSD	17-5/16	5-5/8
MSE	18-3/8	5-5/8
MSF	20-7/16	7-1/2
MSG	20-15/16	7-1/2

Dimensions (in inches) are for estimating purposes only.

**PUMP PERFORMANCE (Capacity in gallons per minute)
DEEP WELL (40 PSI) 4" DOUBLE PIPE**

CAT. NO.	HP	JET NO.	USES VENTURI	USES NOZZLE	PUMPING DEPTH IN FEET																		MAX. PUMP SHUT-OFF PRESS. PSI						
					30'	40'	50'	60'	70'	80'	90'	100'	110'	120'	130'	140'	180'	200'	220'	240'	260'	280'	300'	320'	JET AT MIN. DEPTH	JET AT MAX. DEPTH			
MSD	3/4	23SD	J32P-24	J34P-42	10.2	8.4	6.8	5.8	4.5	3.1	2.1	1.1															80	46	
		15SD	J32P-18	J34P-42	5.5	5.4	5.3	5.2	4.7	4.3	4.1	3.7	3.1	2.7	2.3	1.9												137	75
MSE	1	23SD	J32P-24	J34P-42	12.1	11.7	11.6	11.1	10.2	9.2	7.8	6.4	5.0	4.0	3.0													120	76
		15SD	J32P-18	J34P-42	5.5	5.5	5.5	5.4	5.3	5.3	5.2	5.1	5.1	5.0	4.8	4.5	3.3	2.7	2.0	1.3	1.0							200	97
MSF	1-1/2	23SD	J32P-24	J34P-42	12.2	12.2	12.2	12.2	11.7	11.3	10.7	9.9	9.0	8.3	7.0	4.0	1.3											164	95
		15SD	J32P-18	J34P-42	5.5	5.5	5.5	5.5	5.5	5.5	5.3	5.3	5.2	5.1	5.1	5.0	4.8	4.7	4.5	4.3	4.0	3.3	2.7					314	172
MSG	2	23SD	J32P-24	J34P-42	12.2	12.2	12.2	12.2	11.8	11.3	11.2	11.1	11.0	10.0	8.7	7.0	4.0	2.0										195	110
		15SD	J32P-18	J34P-42	5.5	5.5	5.5	5.5	5.5	5.5	5.3	5.3	5.2	5.1	5.1	5.0	5.0	4.8	4.8	4.5	4.3	4.0	3.3	2.7				314	172

Tested and rated in accordance with Water Systems Council Standards.

NOTE: Pumps installed with a Pro-Source® tank require a 100 PSI relief valve. Pumps installed with a conventional tank require a 75 PSI relief valve. Relief valve must be capable of relieving entire flow of pump at relief pressure.



293 Wright Street
Delavan, WI 53115
USA
Ph: 888-782-7483
Orders Fax: 800-426-9446

490 Pinebush Road,
Unit 4, Cambridge,
Ontario N1T 0A5
Canada
Ph: 800-363-7867
Orders Fax: 888-606-5484

www.sta-rite.com

Because we are continuously improving our products and services, Pentair reserves the right to change specifications without prior notice.

©2018 Pentair plc. All Rights Reserved.

S4513WS (06/27/18)